

HAIR & FACIAL BEAUTY EQUIPMENT

USER'S GUIDE OF D-214 FUNCTIONS UNIT



Manufactured by FOSHAN CITY NANHAI DONG TIAN YANG INDUSTRIAL CO.,LTD
Address:DACHONG INDUSTRIAL DISTRICT,LISHUI TOWN, NANHAI, GUANGDONG CHINA
TEL:+86-757-5686277 FAX:+86-757-5683767

CATALOG

WORKING THEORY.....	(1)
PARTS LIST.....	(2)
OUTLINE(SEE FIGURE A).....	(3)
SPECIFICATION OF THE MACHINE	(4)
OPERATING MANUAL.....	(4)
CLEANING AND MAINTENANCE.....	(6)
FUNCTIONS.....	(7)
BREAKDOWN EXAMINATION & REMOVING	(9)

general malfunction	inspection	method of handling
	whether connect the power	insert power plug into the outlet
	impaction lamp whether connected with the power	insert the power pig of inspection lamp to the outlet
unlighted of the inspection lamp	fuse holder whether have safety tube or fuse broke	put the safety tube to fuse holder
	whether start of the impaction lamp	turn on the black switch of inspection lamp
funnel spraying	starter of inspection unavailable	replace the starter
	much water of flask	less the water (level below 600ml)
water drilling from the flat tube	filled with much felt in the sprout	take out the felt and remove its pile with fire
	all the power is unavailable	input prober voltage
	fuse unavailable	install the safety tube in fuse holder
uncork of the steamer	power and timer whether have been started	turn clockwise of the rotation to start and set time
	less water in flask	if water below the prober, it will cut off automatically
	water and the cup is too dirty	after clean the cup and use not too dirty water
	indication lamp whether lighten	input power then turn on the function switch
	mistaken assembly of the accessories	pay attention to the outlet of galvanic & brush
uncork of the accessories	mistaken connection of vacuum and spray	connect in the right position

Attention: If the machine do not be repaired by our company or retailer's technicians and is disassembled or assembled without permission, we aren't responsible for the consequences resulted.

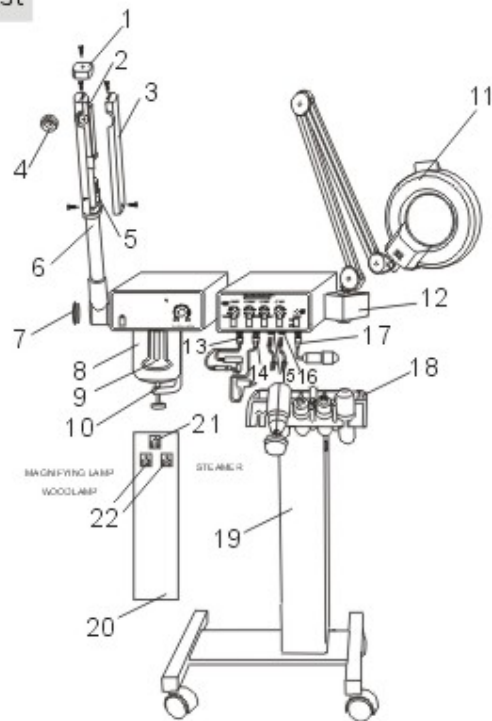
USER'S GUIDE OF D-214 FUNCTIONS UNIT

Welcome to choose our product. D-214 combines eight appliances into one unit. It is the most advanced system you need. It creates the perfect skin care clinic in modern technology. Mobile, Compact, Combing the practical needs of the esthetician with unexpected beauty and efficiency.

A. Working Theory

- 1) Facial steamer uses electronic to boil water for producing steam, and then it uses the ultraviolet lamp to decontaminate the steam. Finally it passes the sterile the steam to the skin where needs to be care.
- 2) The suction is helpful in deep pore cleansing of the skin. It acts much like a miniature Vacuum cleaner to suction out deeply embedded dirt, grease and other impurities. Spray helps achieve a thorough cleansing of the skin's surface. The bombardment of spray is used to flush out the pores, especially after suction and squeezing of blackheads and pimples.
- 3) Hi-frequency uses Neon or ultraviolet to sterilize the skin, makes it harmless even of high discharge tensions.
- 4) Using ions current two-pole mutual absorption helps to pick out the dirt embedded pigment or metal-ion kept in the cosmetics, and introduces skin necessary nourishment or curing medicine into the skin.
- 5) Brush uses rotating brush to clean the face, to remove the dirt in the pore, to remove the dead cells on the skin.
- 6) Wood lamp uses ultraviolet light to inspect the skin, when ultraviolet light shines on the skin, different skin feed back a different color. The beautician can accord the different color to choose the suitable cure methods.
- 7) Magnifying lamp can zoom out the objects, it can help the beautician see the part needs to be care more clear and more easy to operate when the beautician applying the surgery.

B. Parts List



- | | |
|----------------------------|-----------------------------|
| 1. Spray arm top cover | 13. Galvanic socket |
| 2. UV light | 14. Brush socket |
| 3. Arm cover | 15. Vacuum socket |
| 4. Spray nozzle | 16. Spray socket |
| 5. Starter | 17. Hi-frequency socket |
| 6. Arm | 18. Accessory holder |
| 7. Arm bottom cover | 19. Main unit stand |
| 8. Cup | 20. Back board of the stand |
| 9. Heater | 21. Magnifying power socket |
| 10. Cup holder | 22. Wood lamp power socket |
| 11. Magnifying lamp ball | 23. Steamer power socket |
| 12. Magnifying lamp holder | 24. Power Cable |

(2)

G. Functions

1. Facial steamer

Facial steamer can moisten and whiten the skin, promote the blood circulation and expedite its metabolism, so that the sediment deposited in sweat pores can be easily discharged, and the balance of the body's can also be improved.

2. Magnifying lamp

Magnifying lamp can zoom out the operating part.

3. Wood lamp

Wood lamp can analyze the skin condition of the customer.

4. Galvanic

Galvanic can penetrate water and nutrition into the skin and also remove the useless substance.

5. Massage brush

The function is removing the dirt in the pore or remove the dead cells, so it can deeply make the skin clean. And also can cause the massage effect as well.

6. Hi-frequency

Hi-frequency can cause neon, it can sterilize the skin. And also speeds the wounds recover.

7. Vacuum and Spray

Vacuum deeply makes the skin clean, and remove the acne; Spray is spraying out some nutrition lotion like a frog.

(7)

f. When using the Hi-frequency:

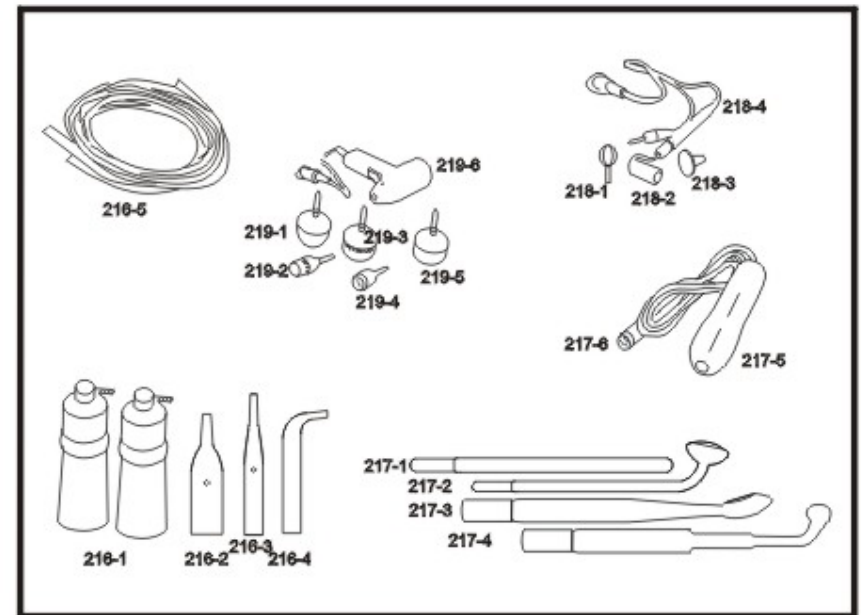
1. Select appropriate electrode, insert into head to let electrode clamped in head.
2. Turn switch "High Frequency", and adjust the proper intensity.
3. The way to change electrode: turn the intensity dial to zero position, and switch "OFF" pull out the electrode, then insert another one.

G. When using the Magnifying lamp

1. Press the switch on. For about 5 seconds, the lamp will lighten.
2. Adjust it to the suitable position.
3. Movable the stand unit.
4. Turn off the power after treatment.

F. Cleaning and maintenance

1. This machine has not only a self protection but also an alarm function. Power will be cut off while out of water. It will be on automatically in 5 minutes after water has been put in.
2. If the cup gets dirty caused by bad quality water, please soak some acetic acid in it for 20 minutes, and then use water to clean it. Don't use other clean lotion.
3. Don't close to the steam, it will harm your skin.
4. Please clean the accessories after use, and then dry them, at last sterilizer them.
5. Please put the accessories well after sterilization.
6. When using the wool brush, don't let the hair go into the brush.
7. When using the Galvanic, please take off any metal from the customer's body.
8. When using Hi-frequency, don't stay in one position too long.



- | | |
|----------------------------|---------------------------------|
| 216-1 spray bottle | 218-1 little ion ball |
| 216-2 round suction tube | 218-2 ion roller |
| 216-3 flat suction tube | 218-3 flat ion board |
| 216-4 curving suction tube | 218-4 ion output cable |
| 216-5 suction pipe | 219-1 sponge brush |
| 217-1 straight neon tube | 219-2 small wool brush |
| 217-2 mushroom neon tube | 219-3 big wool brush |
| 217-3 spoon neon tube | 219-4 small rubbing stone brush |
| 217-4 curing neon tube | 219-5 big rubbing stone brush |
| 217-5 neon handle | 216-6 brush handle |
| 217-6 handle plug | |

C. Outline (See Figure A)

D. Specification of the machine

- 1). Product Control: Mechanism
- 2). Timer (Up to 30 minute)
- 3). 7.5 minutes consumed from power on to steam made
- 4). Maximum Draw: 750 W
- 5). Power Input: 220VAC / 50 Hz
- 6). Machine Weight: 34 KGS
- 7). Shipping Weight: 37 KGS

E. Operating Manual

a. When using Facial Steamer function:

1. Open the round black rubber on top; pour distilled water into the glassware through spout. Do not fill the distilled water in glassware over red-line.
2. Set the timer for 7-12 minutes. (Time from power on to vapor).
3. When vapor starts, set the time as needed.
4. Turn ozone switch on. Adjust distance between steam nozzle and client in accordance with skin condition.

b. When using the brush function:

1. Select appropriate brush and insert into the head, it will be locked in place, when a "Ka" sound is heard.
2. Turn switch "ON". Set speed according to client's skin condition and procedure.
3. The way to change brush: turn switch "OFF", use a slight force to pull off the brush, insert another brush needed and turn switch "ON".
4. Viscose sponges and warm water may be used to remove excess treatment product from client's skin.

c. When using the Vacuum and Spray function:

1. Select appropriate Vent-hole, insert into Vacuum hose.
2. Turn switch on. Adjust intensity by turning the dial. Usually you can turn the dial to max. And then press or release forefinger on the hole on venose to control the Vac-intensity
3. When spray, use forefinger to press on the hole of spray head, then spraying will start.
4. Turn switch "OFF", when operation completes.

(4)

d. When using the Galvanic function:

1. Let the client hold one electrical polarity, and esthetician hold another electrical polarity.
2. Pincer some cotton by the esthetician's electrical polarity and embrocate skin care lotion with cotton.
3. Turn switch "ON", and select proper MA according to individual can adjust the intensity up until the client has the feeling, but usually no more than 3MA for face area, I. e. in the green lamp limit on MA meter.
4. Select the "+" or "-" polarity according to the skin care lotion used by esthetician.
5. Polarity shall always be kept in touch with skin and moved slowly. Do not move polarity from skin and touch the skin again suddenly and often. Or the client will have an unpleasant feeling.
6. In case of changing the treatment area, you need to turn the intensity to zero position, and start from beginning again.

e. When using the Wood lamp function:

1. Press the red-button for about 2 seconds, the lamp will lighten.
2. Press the black-button to shut off the lamp.

SKIN CONDITION	WOOD'S LAMP INDICATION
Thick Carnham layer	White fluorescence
Horney layer of the skin and dead cells	White spots
Normal and healthy skin	Blue-White
Thin skin without enough moisture (dehydrated)	
Dehydrated skin	Light violet
Hydrated skin	Bright fluorescence
Oily areas of the face and comedones	Yellow or sometimes pink
Pigmentation and dark spots	Brown

(5)