



Décor 1.7

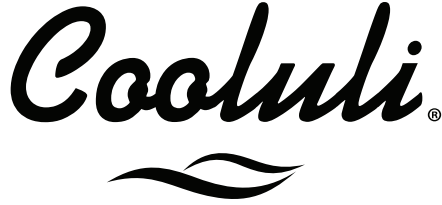
Glass Door

Beverage Cooler

Instruction Manual

TABLE OF CONTENTS

Page 2	Product Specs
Page 3	Warranty Information
Page 4	Characteristics, Applications
Page 5	Product Features
Page 6-8	Getting Started / General Use
Page 9	Temperature Control
Page 10	Reversing the Door Hinge
Page 11	Feet Leveling / Going Away
Page 12	Optimizing Performance
Page 13 -14	Frequently Asked Questions
Page 15 -17	Basic Troubleshooting
Page 18	Customer Support



Décor 1.7

Glass Door Beverage Cooler

TECHNICAL SPECS

Model Name

CBCG1.7

Temperature Range

39° - 72° F or 4° - 22° C

Outer Dimensions:

(H x W x D)

19.7 x 17.3 x 18.7 in or
508 x 440 x 475 mm

Power Consumption

AC 110-120V / 60 Hz
1.3A

Inner Dimensions:

(H x W x D)

16.34 x 13.23 in or
415 x 336 mm

Composition & Weight

Galvanized steel sheet,
ABS plastic, HIPS plastic,
acrylic glass

37.5Lbs / 17Kgs

Depth at top:

14.53 in or 369 mm

Depth at bottom:

8.58 in or 218 mm

1.7 Cu Ft / 48L Storage

Holds over 40 12oz Cans

Refrigerant

R600a / 0.60oz

WARRANTY INFORMATION

LIMITED WARRANTY - REGISTER AT: www.cooluli.com/register

Read all the instructions before attempting to use this product.

The Cooluli Décor 1.7 includes a 1-year limited warranty and a 2-year compressor warranty, covering repairs or replacements due to defects in materials or workmanship.

1. This warranty only applies to personal, non-commercial use. This warranty is not applicable to any damage resulting from commercial, abusive, unreasonable use or supplemental damage. Defects that are the result of normal wear and tear will not be considered manufacturing defects under this warranty.

COOLULI IS NOT LIABLE FOR INCIDENTAL OR CONSEQUENTIAL DAMAGES OF ANY NATURE. ANY IMPLIED WARRANTY OF MERCHANTABILITY OR FITNESS FOR A PARTICULAR PURPOSE ON THIS PRODUCT IS LIMITED IN DURATION TO THE DURATION OF THIS WARRANTY.

2. This warranty does not cover damage resulting from any unauthorized attempts to repair or from any use not in accordance with the instruction manual.

3. This warranty applies only to the original purchaser of this product from the original date of purchase. This warranty applies only if the unit is purchased new from an authorized retailer and is non-transferable from the original purchaser of the item. Any warranties accompanied with this product is only valid in the country of purchase.

4. Unit is manufactured according to North American voltage specifications. Warranty is void if unit is plugged into a 220-230 volt outlet.

5. Please read the Instruction Manual carefully before setting up or using this product. If you believe this product to be suffering from a manufacturing fault, or if you have inquiries about this product, please contact Customer Support:

COOLULI

ATTN: Customer Support

1425 37th St Suite 213

Brooklyn, NY 11218

Phone: (718) 834-5312

Email: info@cooluli.com

When contacting Customer Support, please have the information below along with the proof of purchase. All warranty requests must be accompanied by proof of purchase, which is a copy of the original receipt/invoice.

Model: _____

Date of purchase: _____

Purchased from: _____

PRODUCT CHARACTERISTICS

Your mini fridge is designed with premium materials and features for optimal cooling performance. Key characteristics include:

- Robust, premium build quality made with a durable one-piece metal cabinet
- Interior LED light with a digital control panel and auto defrost
- Glass door with double panel low-E glass improves temperature insulation
- Adjustable wire shelf allows customizable interior storage
- Reversible door hinge swings open a full 180 degrees
- Free-standing unit with adjustable feet for leveling on uneven surfaces
- Sleek cabinet and glass door for a modern aesthetic
- Compact size fits in small spaces like offices, dorms, bedrooms
- Quiet 39 dB operation suitable for home or office environments
- Unique antibacterial coating eliminates any odor

APPLICATIONS

This appliance is intended to be used in household and similar applications such as:

- Keep the beverage cooler stocked with drinks in your home entertainment room so cold beverages are always within reach.
- Use it as a personal dorm fridge to store canned/bottled drinks for easy access during study breaks.
- Place in your office or workspace to have your meals, snacks, and beverages handy throughout the day.
- Keep at home for post-workout cold drinks without going to the kitchen each time.

GETTING STARTED

Step 1: Unpacking

- Please eliminate any packaging materials both inside and outside of the beverage cooler. If possible, recycle them; otherwise, store them safely for future transportation requirements.
- Parts of your beverage cooler have been wrapped/sealed in plastic. This plastic poses a suffocation hazard for babies and young children. Please ensure that plastic wrapping materials have been stored/disposed of out of their reach.

Step 2: Installation

Before installing your mini fridge, be sure you are familiar with all the safety instructions and guidelines within this manual.

- **Important:** Leave the appliance standing vertically for at least 8 hours before turning it on for the first time. This lets oil to flow back into the compressor and allows the unit to work properly while preventing potential damage.
- **WARNING:** Your mini fridge requires air circulation for the motor and condenser to run properly. Allow approximately 4 inches (100mm) from the back of the mini fridge to any other objects and approximately 2 inches (50mm) between the sides of the mini fridge and any other objects.
- This mini fridge is not designed to be placed in a recessed or built-in area. Use your mini fridge only as a freestanding appliance.
- Avoid tilting more than 45° from upright when moving the fridge. This can affect the amount of oil in the compressor during operation.
- Place in an area of the room that is out of direct sunlight and avoid heat sources such as stoves, radiators, or baseboards.
- Make sure there is enough space at the front of your mini fridge for the door to open fully.
- **TIP:** Installing your mini fridge in the coolest area of a room will increase efficiency and prevent excessive energy consumption. This will lessen operating costs as well as wear on the compressor.
- Avoid areas that are subject to extreme cold, excessive moisture, and/or high humidity.
- Ensure that the floor is strong enough to support the weight of a fully loaded mini fridge.
- Your mini fridge should only be installed on a sturdy, level floor to ensure quieter operation. Use the adjustable feet on the bottom of the mini-fridge to ensure that the mini-fridge is level and sitting on all four feet.
- If placing your mini fridge on a carpet, place wooden boards under the mini-fridge. Placing a mini fridge directly onto a carpet can cause discoloration and fading due to heat from the compressor.

GETTING STARTED (cont.)

Step 3: General Use

- Your mini fridge requires 3 to 5 minutes to restart in the event that it is turned off, unplugged, or otherwise loses power. If you attempt to restart the mini fridge before this delay, it will fail to restart to prevent damage to the compressor.
- Never store hot food in your mini fridge. If you wish to store a previously heated meal, allow it to cool first before storing.
- Follow all manufacturer's instructions when storing pre-packaged food.

Step 4: Maintenance

Internal Cleaning

- Do not pour water over your mini fridge or immerse it in any way.
- The refrigeration area can be cleaned with a soft cloth, mild soap, and lukewarm water.
- Do not use abrasive soaps or powders.
- Always ensure that any soap residue has been thoroughly rinsed from the refrigeration area after cleaning.
- The wire shelving is not dishwasher safe. These items are to be hand-washed only using lukewarm water and mild soap.
- Dry your mini fridge carefully and thoroughly after cleaning before resuming operation.
- Use dry hands when plugging your mini fridge back into an outlet.

External Cleaning

- To clean the exterior of your mini fridge, use only lukewarm water, mild soap, and a soft cloth.
- Take care when cleaning the underside of your mini fridge, as you may encounter sharp edges.
- The rear of the appliance and the compressor may be cleaned once or twice a year with a soft brush or vacuum cleaner to remove accumulated dust and debris that may affect the performance of your mini fridge and cause increased energy consumption.
- The plastic parts of your mini fridge can be damaged by ethereal oils, organic solvents, or cleansers that contain acetic acid.
- Never use abrasive scouring pads or other rough surfaces to clean your mini fridge.
- Do not use a steam cleaner to clean your mini fridge. Hot steam can damage plastic parts, and the moisture can lead to an increased risk of electric shock.
- The mini fridge must be completely dry before resuming operation after cleaning.

TEMPERATURE CONTROL

Using the Internal Temperature Control

Your mini fridge is equipped with a touch panel to control its power, temperature, and lighting. The touch panel is located inside the mini fridge on the right side at the topmost corner.

Power (On/Off) Button

The power button controls the overall power of the mini-fridge. Turning the power Off will turn off all aspects of your mini fridge, including its refrigeration.

- Press the power button to turn on the mini-fridge.
- To turn the mini fridge off, press and hold the power button for 6 seconds until the temperature display disappears.

Light Button

- The light button controls the interior LED lighting for your mini fridge.
- While the interior light can stay on continuously, intermittent use is recommended to minimize electricity usage.

Setting the Temperature

Your mini fridge was designed to perform at its default setting of 39°F.

- Your mini fridge is capable of cooling to temperatures between 39° and 72° degrees Fahrenheit (4 - 22°C).
- Use the UP/DOWN arrows to set the mini fridge to the desired temperature. The temperature display will flash while being adjusted. The flashing will stop when no changes have been made for 3 seconds.

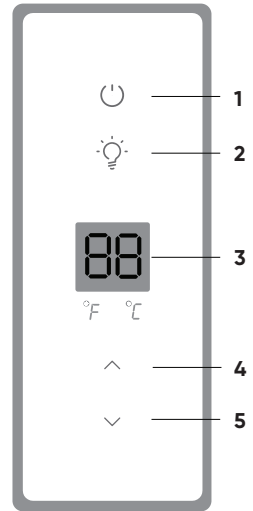
Digital/Temperature Display Units

- The digital display shows the current temperature setting for your mini fridge in either degrees Fahrenheit or Celsius. To change this setting, press and hold the UP/DOWN buttons at the same time for two seconds. The selected scale will glow under the display.

Auto Defrost

Your mini-fridge has a built-in feature to automatically defrost, preventing any ice from forming in the unit.

WARNING: Never use sharp or metal instruments to scrape off any residue or frost. The mini-fridge should remove any ice built-up automatically every 4 hours.



- On / Off Button 1
- Light Button 2
- Digital Display 3
- Up Button 4
- Down Button 5

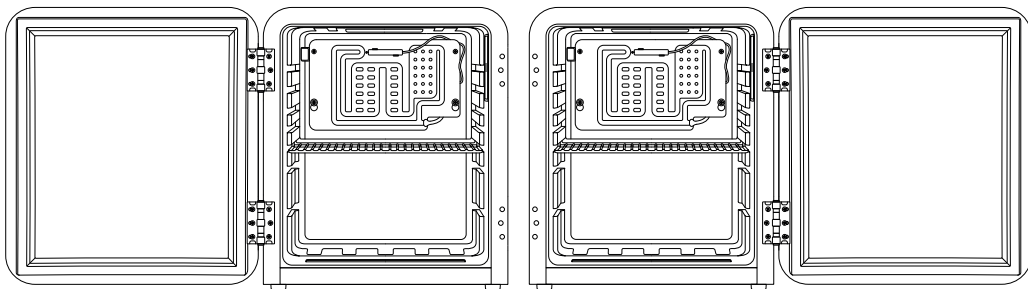
REVERSING THE DOOR HINGE

The mini-fridge door can be opened from left to right or right to left. To change the opening direction, follow the steps below. Remember to keep all removed parts in a safe place; you'll need them to reinstall the door in its original direction.

Note: Reversing the door hinge will require rotating the door 180°. To remove the upside down Cooluli logo, you can apply an alcohol solution to it and remove gently using a plastic scraper.

1. Support the door from the bottom.
2. Remove the six screws that fasten the hinges and two spacers to the mini-fridge frame.
3. Place the door flat on a padded or carpeted surface to prevent any damage.
4. Remove the six hinge screws that fasten the hinges to the door.
5. Remove the filler plugs from the opposite side and use them to cover the 6 newly exposed holes on the side the hinges were removed from.
6. Pick the door up and rotate it 180°, carefully aligning the hinges to the cabinet holes.
7. Screw the remaining six screws into both hinges and the two spacers into the frame to secure the door.

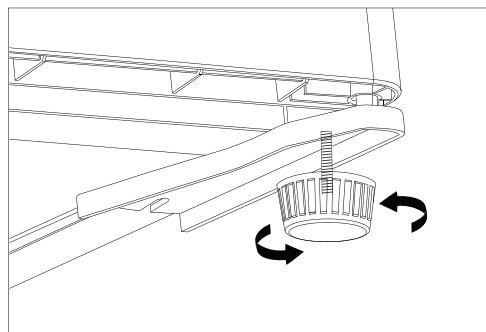
Warning: Once you bring the beverage cooler into its upright position, wait at least 3 hours before turning it on. Tilting the fridge can cause oil to shift out of the compressor into the cooling lines. Letting the oil flow back before use allows the compressor to work properly and prevents potential damage.



LEVELLING FEET / GOING AWAY

Levelling Feet

The appliance must be installed level in order to work properly. If the unit is not level, the doors and magnetic seal alignments will not be covered properly. To level the unit, adjust one or both leveling feet at the base of the unit.



Going Away

Your mini fridge is built to provide years of trouble-free refrigeration. However, as with any appliance, extended unattended operation is not recommended.

Short Absences

For absences of less than a month, you can leave your mini fridge plugged in and operating as usual.

Extended Absences

For absences of a month or more, we recommend that all items be removed from the mini fridge and the appliance prepared for an extended period of non-use.

- Remove and properly store all food and items from the mini fridge and unplug the power cord.
- To avoid unpleasant surprises upon your return, like odor and mold/mildew growth, leave the door to the mini fridge open slightly, using a small item to prevent the door from closing if necessary.
- Restrict small children or animals from accessing the room that houses the mini-fridge as appropriate to prevent them from accidentally trapping themselves in the mini-fridge.

OPTIMIZING PERFORMANCE

Food Storage

This mini fridge is suitable for short-term storage of fresh food.

As with any refrigerator, the internal temperature depends on a number of factors, such as the amount of food/drinks stored, the ambient temperature of the surrounding air, and the frequency at which the door is opened/closed.

- Do not leave the door open for too long or too often.
- Do not overload the mini-fridge. Ensure that there is space for air to flow around items contained in the mini-fridge.
- Do not block any of the mini fridge's ventilation openings.
- Use only the runners on the mini fridge's walls to position the shelf.

Optimizing Performance

There are many things you can do to reduce your mini fridge's energy consumption. These tips will make the appliance more efficient and lessen the burden on the compressor and other mechanical parts.

- Place the fridge in the coolest area of the room, away from heat-producing appliances and out of direct sunlight.
- Let heated food and beverages cool to room temperature before placing them into the fridge.
- Do not overload the fridge, as it forces the compressor to run longer.
- Wrap foods properly and wipe containers dry before placing them in the fridge. This cuts down on frost build-up inside the fridge.
- Position food so that air can circulate freely around it.
- Do not leave the fridge door open for longer than required.
- Make sure no food touches the back of the compartment.
- Don't set the thermostat to exceedingly cold temperatures.

FREQUENTLY ASKED QUESTIONS

What temperature range can this mini fridge cool to?

This mini fridge can cool to temperatures between 39°F-72°F (4°C-22°C). The default temperature is 39°F.

How much electricity does this mini fridge use?

This unit consumes 110-120V, 60Hz, 1.3A. Refer to the product specs and features section for full electrical details.

Does this mini fridge need to be ventilated?

Yes, allow approximately 4 inches of clearance at the back and 2 inches on the sides for proper air circulation. Do not block any ventilation openings.

How often should I clean the mini-fridge?

The interior can be cleaned regularly with mild soap and water. Clean any spills immediately to avoid odors. Externally, the unit can be cleaned every few months with a soft cloth.

Can I adjust the shelves and interior layout?

Yes, this unit comes with adjustable wire shelves that can be repositioned as needed. Ensure shelves are installed properly on the runners only.

What food is best for storage in this mini fridge?

This unit is best suited for drinks, fresh foods, and other items meant for short-term storage. Do not overload the fridge. Allow air flow between items.

Does this mini fridge need to be cleaned before first use?

Yes, wipe out the interior with a soft cloth before first use. This is to remove any dust or residues from shipping.

What happens if the fridge stops cooling properly?

First, ensure the temperature setting isn't too high. Check that the door is sealing properly. Try resetting the fridge and allow 3-5 minutes before restarting. If issues persist, contact customer support.

Can I plug this fridge into a 220-230V outlet?

No, this unit is only designed for 110-120V, 60Hz outlets. Plugging into 220-230V will void the warranty. Refer to the voltage label on the fridge.

FAQs (cont.)

How quiet is this mini fridge?

This unit operates at about 39 dB, a low noise level suitable for bedrooms, offices, etc. Some compressor noise is normal during operation.

Should I unplug the fridge when not in use for an extended period?

Yes, for any extended absence of a month or more, unplug the fridge and clean it thoroughly. Leave the door ajar to avoid odors.

How long is the warranty period for this product?

This beverage cooler comes with a 1-year limited warranty and a 2-year warranty on the compressor unit. Register your product at ww.cooluli.com/register for warranty service.

Who do I contact for support or service issues?

Contact Cooluli Customer Support with any issues or for service. See the Customer Support section for full contact details.

BASIC TROUBLESHOOTING

Concern	Possible Reasons
Smell/odor	<ul style="list-style-type: none">• Check that all the food and drink that is in the fridge are up to date and correctly packaged. If it isn't, then it should be removed immediately or repackaged.• Check for spillages on each shelf, rack, and drawer.• You may need to remove the drawers to check that no spillages have settled underneath them. Spillages that have not been cleaned and have been left can cause smells and unwanted odors.
The door does not close properly	<ul style="list-style-type: none">• Ensure that there are no obstructions preventing door closure.• Check that the door compartments and shelves are correctly in place.• Check that the door seal is not warped or torn.• Check that the appliance is level.
Unusual noises	<ul style="list-style-type: none">• Check that the appliance is on a flat, level surface and is stable.• Check the spacing around the appliance and ensure it is not touching other items.• Bubbling and gurgling sound: This noise is emitted as the coolant fluid flows through the pipes within the system. This is normal.• Water flowing sound: This is the normal sound of water flowing into the drain trough during the defrosting process.• If the appliance is operating noisily (compressor noise):• This is normal. This noise indicates that the compressor is operating normally. As the compressor is being energized, it might run a bit noisier for a short period of time.• Contraction and expansion of the inside walls may cause popping and cracking noises.

BASIC TROUBLESHOOTING (cont.)

Concern	Possible Reasons
The fridge door will not open	<ul style="list-style-type: none">• If the door has just been opened, leave it for a few minutes to allow the air pressure to equalize before trying again.
The compressor runs continuously	<ul style="list-style-type: none">• The temperature is set too cold: select a warmer setting.• The door is open or something is obstructing proper door closure.• The door gaskets are worn, dirty, or damaged.• Large quantities of food have been added to the fridge.• The room temperature is hotter than usual.
The external fridge surface is warm	<ul style="list-style-type: none">• The exterior walls can be warmer than room temperature. This is normal while the compressor works to transfer heat from inside the fridge cabinet.
The fridge doesn't work	<ul style="list-style-type: none">• Check that the appliance is switched on.• Check that there has not been a power cut.• Check that the plug is not faulty.• Check that the fuse has not blown.• Check that the voltage is correct for the appliance.• Are there any faults with the socket? For this purpose, try the plug of your appliance by connecting it to a socket that you are sure is working.
The outer surfaces of the appliance are wet	<ul style="list-style-type: none">• Condensation will form on the outside of the cooler if it operates in moist areas. Just wipe it dry.

BASIC TROUBLESHOOTING (cont.)

Concern	Possible Reasons
The temperature inside the appliance is too cold	<ul style="list-style-type: none">• Increase the working temperature by adjusting the thermostat to a warmer setting.
The temperature inside the appliance is not cold enough.	<ul style="list-style-type: none">• Check that there is not too much food in the appliance.• Check that the thermostat is set to a suitable temperature.• Check that the appliance is not placed in direct sunlight or too near to a heating source.• Check that the ambient temperature is within the operating limits of the appliance.• Are the doors of the appliance opened frequently?• Once the door is opened, the humidity found in the air in the room enters the appliance, especially if the humidity levels in the room are very high. The more frequently the door is opened in humid conditions, the more chance there is of moisture build-up.• The door is not closed completely.• The door gasket does not seal properly.• The cooler does not have the correct clearances at the sides/back.
Moisture forms on the inside or outside walls of the fridge	<ul style="list-style-type: none">• Hot and humid weather increases the internal rate of frost build-up. This is normal.• Open the door less often and make sure it is always properly closed.

**For further assistance please contact
Cooluli Support:**

COOLULI

ATTN: Customer Support

1425 37th St Suite 213

Brooklyn NY 11218

Phone: (718) 834-5312

Email: info@cooluli.com



www.cooluli.com

Distributed by Cooluli®

New York, NY 11218

Made in PRC

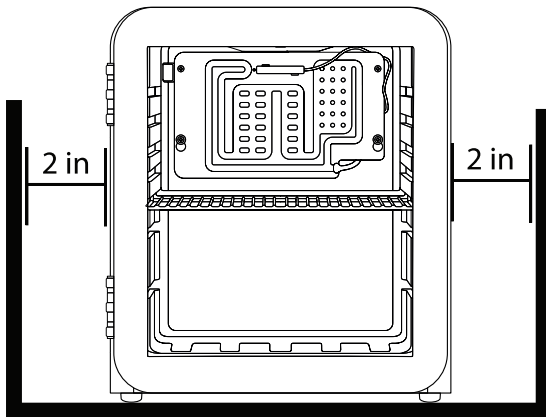
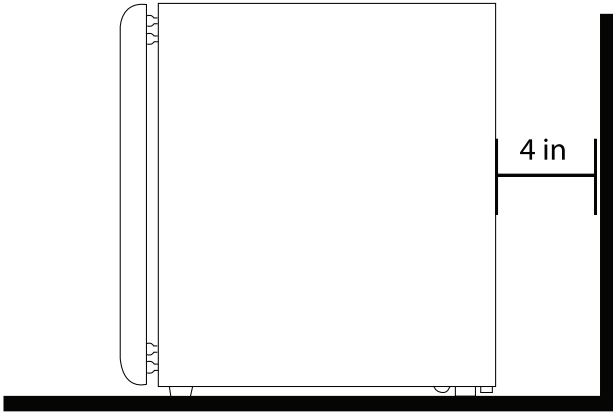
Cooluli™ is a trademark of

LISSE USA LLC

(718) 834-5312

Copyright ©2018 all rights reserved

PRODUCT PLACEMENT



PRODUCT FEATURES

