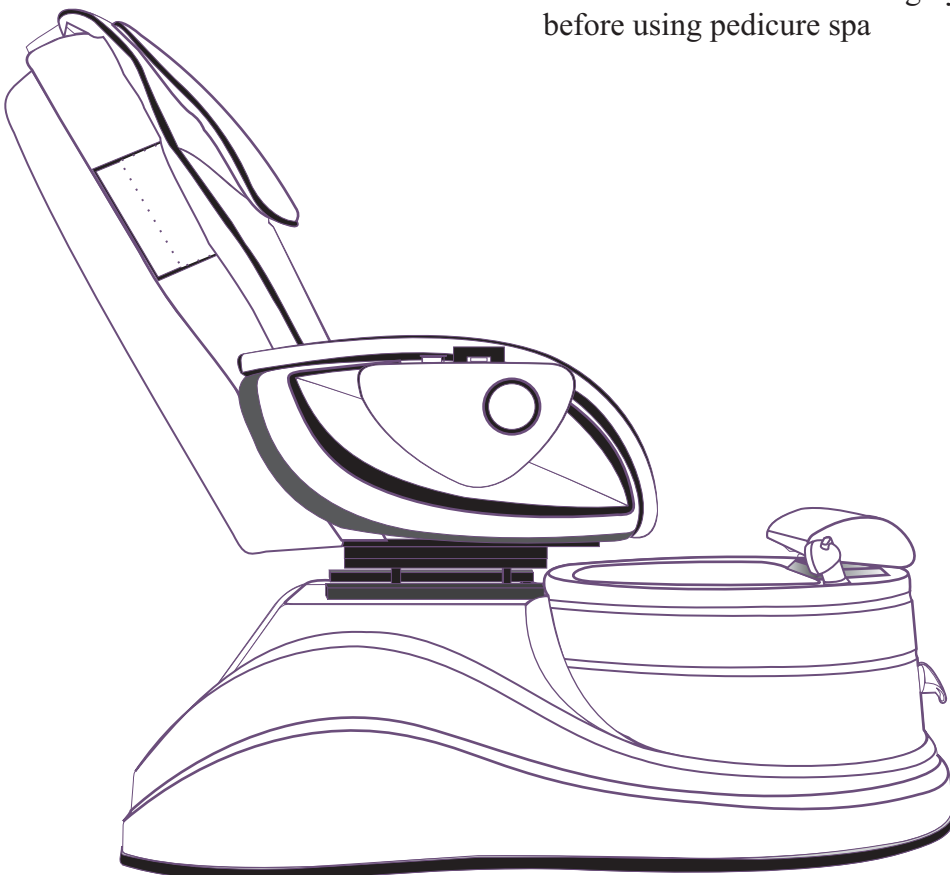
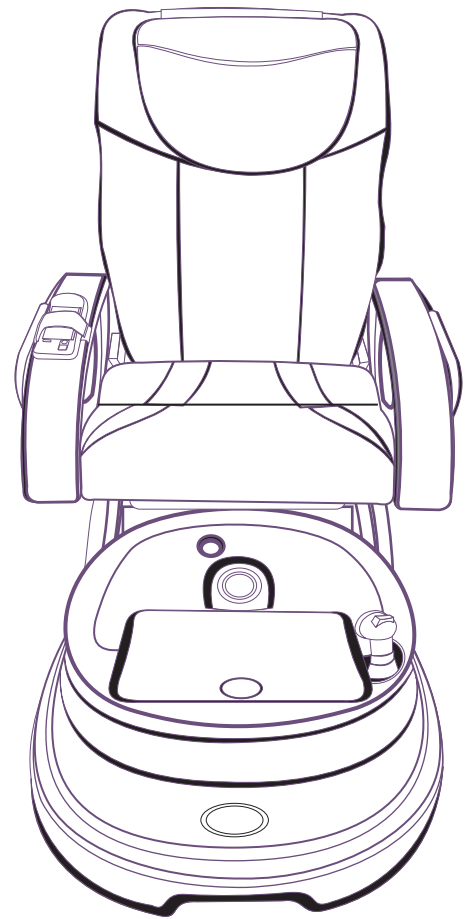


PACIFIC WHIRLPOOL SPA



User's Manual

Please read user's Manual thoroughly
before using pedicure spa



Copyright 2010 by J&A USA
Printed in USA

Table of Contents

Table of Contents

Introduction & Safety

Identify Parts & Description

Consideration

Specification

Summary

Dimension

Idrain Connection

Safety and Maintenance (Dura-Jet)

Safety and Maintenance (Magnetic - Jet)

How to use Magnetic Jet

Discharge Pump

Chair / Backrest attachment

Remote Control Function

Disinfecting Pedicure spa

User Recommendations

UL Certificate

Back Flow Prevention Device (Dual Check valve)

Limited Warranty



Introduction

Thank you for choosing Pacific Pedicure Spa , This finest Whirlpool Pedicure Spa has been develop and Manufactured by J&A USA Inc., to bring quality and exquisitely balanced design yet afford-ability and dependability when properly use. Please read this entire manual thoroughly before installation and use

PLEASE TAKE TIME TO READ THIS MANUAL THOROUGHLY BEFORE USE. If you have any questions or concerning with our pedicure spa, Please contact our customer service and technical support at 631-243-3336 ext 121, Monday through Friday 9AM – 5PM or email us at www.info@jausainc.com

Important requirements

The MFG requires that you contact your local, licensed plumber and licensed electrician to install your new spa. Installation MUST be in compliance with all local and state building codes. Your pedicure spa can not operate efficiently or safely unless it is provided with adequate electrical power, sufficient water pressure, proper water temperature, and required drainage capabilities. Contact your local building inspector for information and local code compliance procedure that need to be followed when having your new pedicure spa installed. Subsequent inspections and approvals that may be required are the responsibility of the purchaser.

Shipment Inspection

Examine the components immediately upon arrival to make sure no damages to the pedicure spa base and chair during the shipment. It is very important that you notify the driver directly and notation should be on the face of the freight bill or bill of lading of any damage. Failure to note damage on the bill of lading may prevent any claims you may have against the carrier.

If concealed or damage is found, you MUST notify the carrier at once and request an inspection. **DO NOT DISCARD THE SHIPPING CARTON** If receiver sign the carrier clean receipt of goods that have been damaged in transit .Do so at your own risk and expense.

Precaution

- Do not stand in the basin of the spa.
- Excessive water temperature is dangerous and should be checked before use. Maximum water Temperature should not exceed 100F (38C).
- Always enter and exit the spa slowly and carefully.
- Never bring or operate any electrical device near pedicure spa.
- The unit has a weight capacity of 250 pounds.

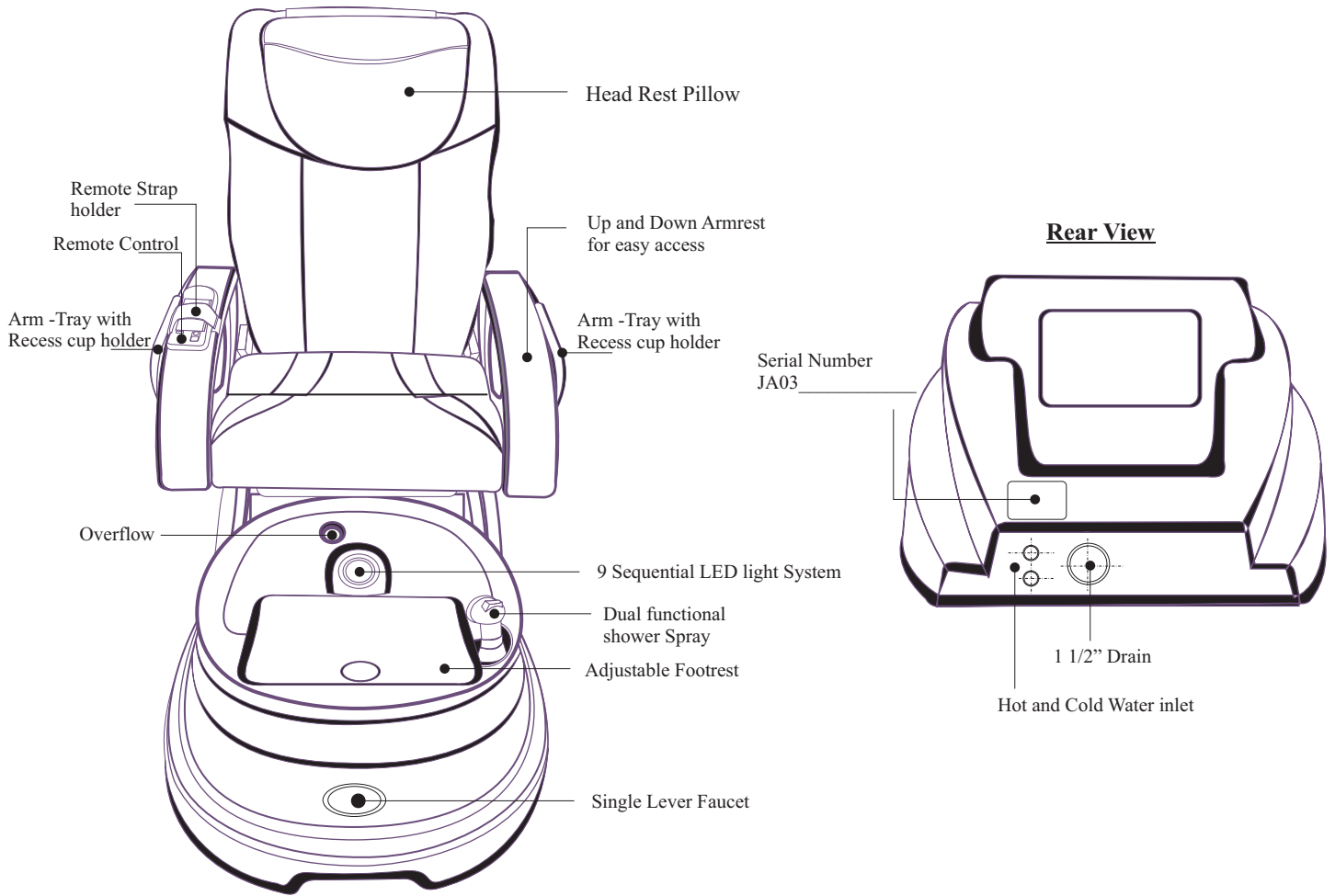
Health Warning

Individuals whose feet or legs are inflamed or have open wounds should not be allowed to use the pedicure spa at any time. The technician should advise clients to consult their physician before using the spa if there is any sign of fungal infection, swelling, fracture, or persistent pain. In some cases diabetics may experience improved circulation in their feet, but should first consult their physician prior to receiving a pedicure.

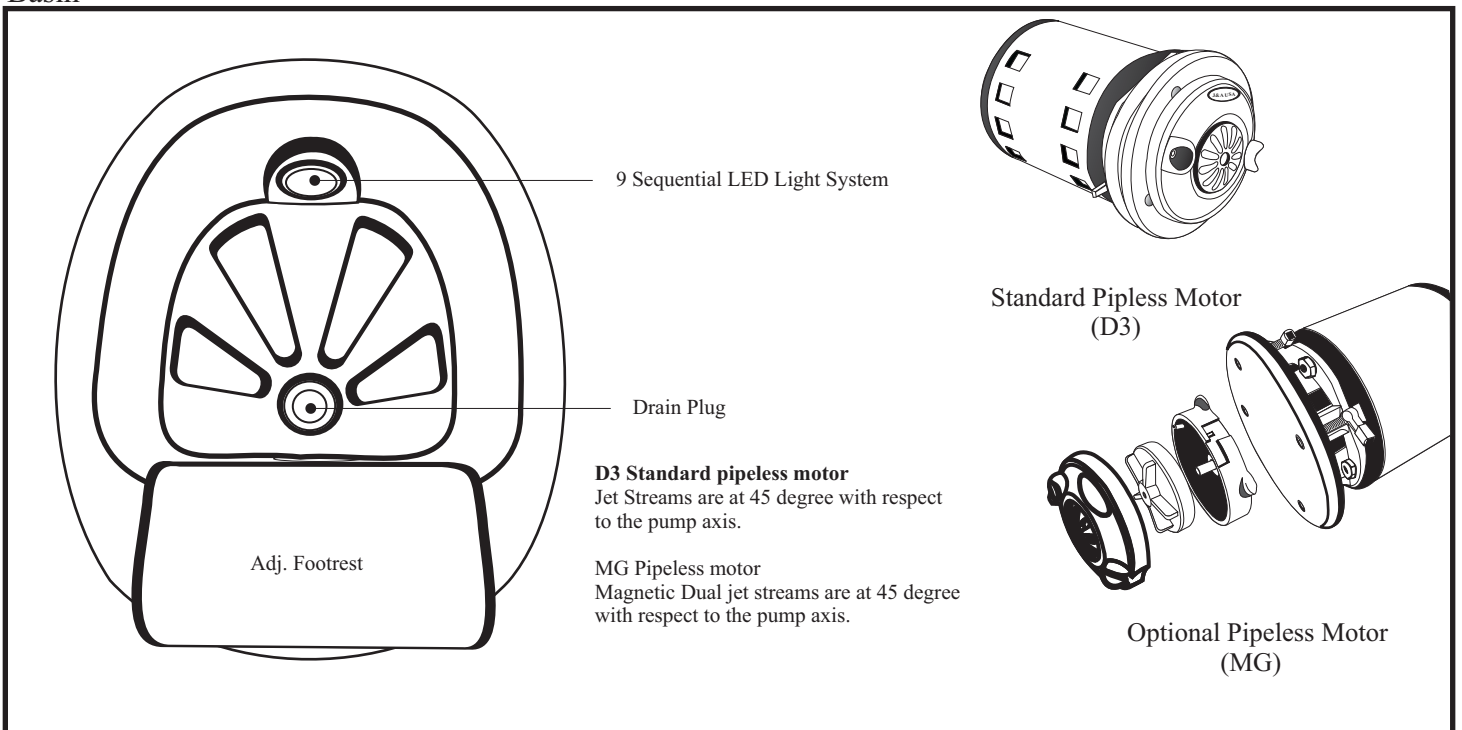
If the client experiences any pain or discomfort, discontinue the use of the pedicure spa immediately.

Pacific

Identification



Basin



Important Considerations

Electrical Service

110V, 60Hz, 15Amp GFCI protected grounded circuit **MUST** be used to supply power each individual pedicure spa. And the main circuit breaker **MUST** be at 25Amp. For maximum of two units per each electrical outlet.

Water Supply

All plumbing connections must conform to local codes.

Water supply to the spa should be provided with adequate water pressure and water temperature.

Water pressure

To fill the basin correctly up to level, Normal water pressure of 30 to 80 P.S.I is required.

Water temperature

The hot water supply temperature must not exceed 140°. Adjust your hot water accordingly. For hot and cold water supply fittings and drain fittings location, see below diagram .Carefully connect the water supply line to the appropriate fittings located on the rear of the pedicure spa.

Pressure / Temperature

Maximum Pressure: 150 psi (10 bars)

Minimum Pressure: 10 psi (69kPa)

Working Temperature: 33F to 140F constant; intermittent to 180f
(0.6C to 60C sustained; intermittent to 82.2C)

Maximum Recommended Flow: 15gpm (571pm)

Backflow Preventive Device (Dual Check Valve)

All J&A pedicure spas are equipped with Back flow Preventive Device Dual Check Valve as standard.

Specification

Tested and certified to meet ANSI/ASSE standard 1024. CSA certified to standard No.B64.6

ANSI - American National Institute, ASME - American Society of Mechanical Engineers, CSA - Canadian Standard Association IAPMO - International Association of Plumbing and Mechanical Officials, UL - Underwriters Laboratory

** Vaccum Breaker

Due to Town and / or State requirement/s are varies in building code, if the Town and / or State requires Vaccum Breaker, As the Plumber **MUST** provide Vaccum Breaker according to building code requirement.

Drain Facilities

The pedicure spa Drain must meet local plumbing codes. **Check valve for Drain (not Provided) Must be installed by a licensed plumber.** Also Pedicure spa must be securely fasten to the floor.

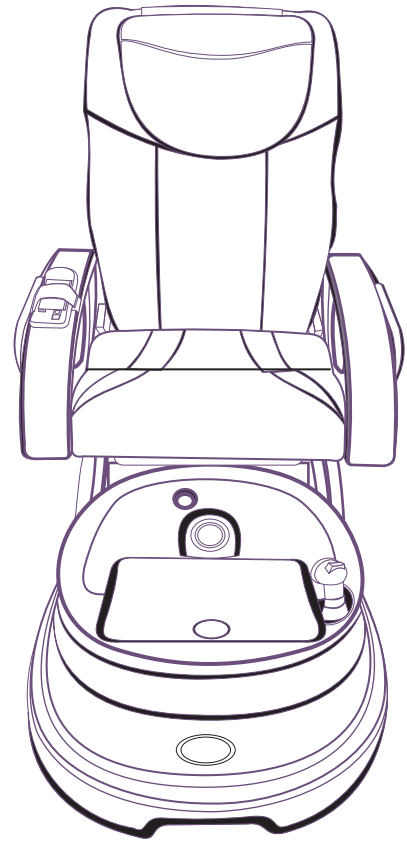
Installation Summary

The installation must comply with local, state, and federal building, plumbing and electrical codes, where applicable. A licensed plumber should complete the plumbing of the pedicure spa.

Note: Failure to comply with federal, state, or local codes and ordinances will result in warranty being nullified and void.

Pacific

Specification



Specification

Dimension & Weight (Shipping)	Pedicure Spa & Massage Chair Stool	67L x 37W x 40H 20.25L x 8.5H x 20W	246 lbs 19 lbs
Dimension & Weight (Net)	Pedicure Spa & Massage Chair	55"L x 27 1/2"W x 51 1/2"H	186 lbs.
Capacity of Tub	Pacific	4.5 U.S Gallon	
Switch		On / Off Air Activated Switch	
Power Source	Dedicated 15Amp Wall Outlet Require Pipe - less whirlpool motor Discharge Pump (Optional) Massage System	120Vac, 0.4 Amp. 60Hz, 120Vac, 60Hz 120Vac, 60Hz	
Plumbing Source	Hot Water Cold Water Drain	0.5 inches (Fitting Provided) 0.5 inches (Fitting Provided) 1.5 inches (See Plumbing Instruction)	
Warranty	Unit Optional Item	One Year 120 Days	

Due to continuous improvements on all our products, specification, characteristics, packing, color, designs are subject to change without notice.

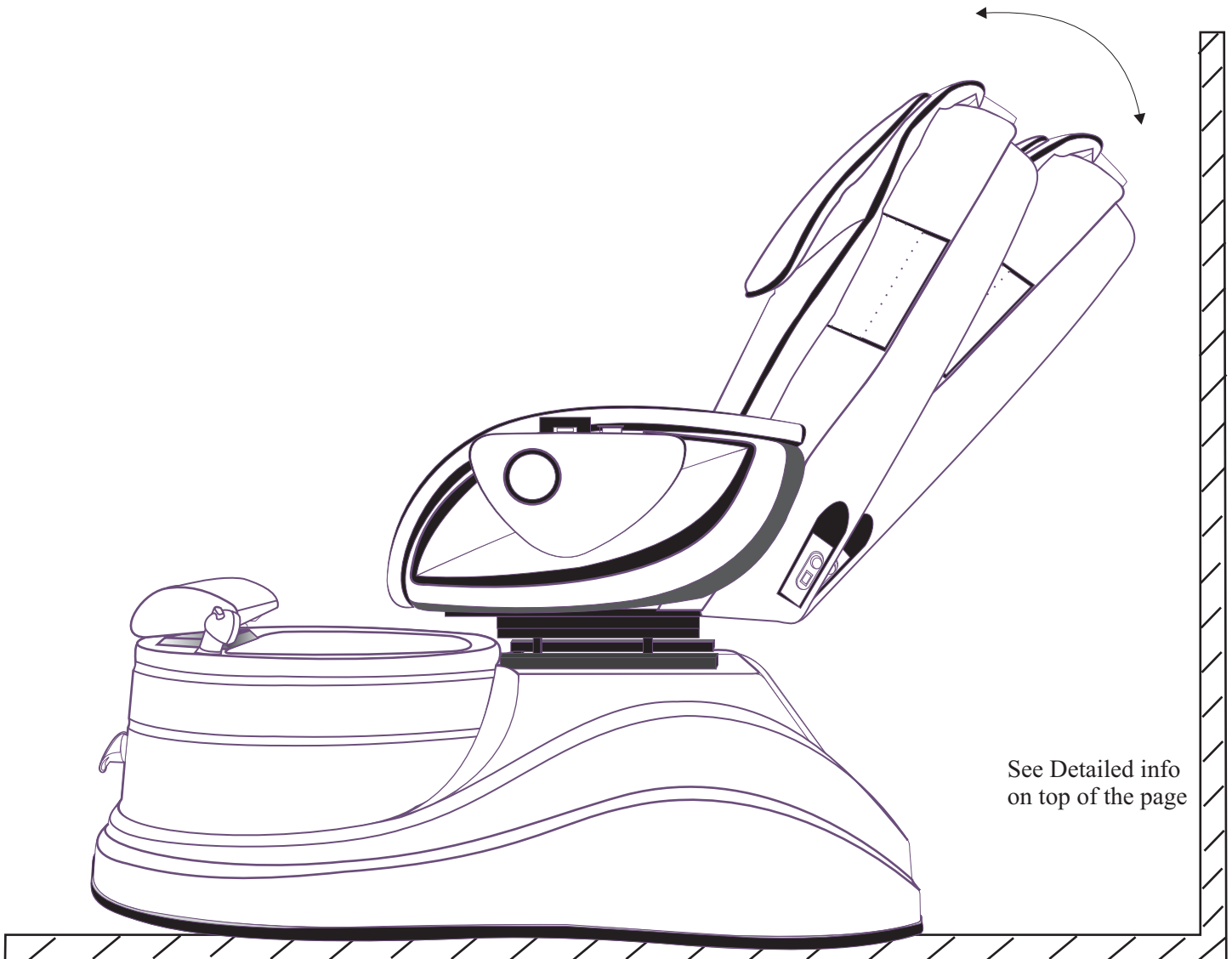
Installation Specifications Summary

Warning: Failure to comply with federal, state or local codes and ordinances will result in warranty being null and void.

As stated, the pedicure spa installation must comply with all **plumbing and electrical codes**. A **licensed plumber and licensed electrician MUST** complete the applicable connections of the pedicure spa.

Location and support

Select a level location. The floor structure beneath the pedicure spa must be capable of supporting the occupied pedicure spa.

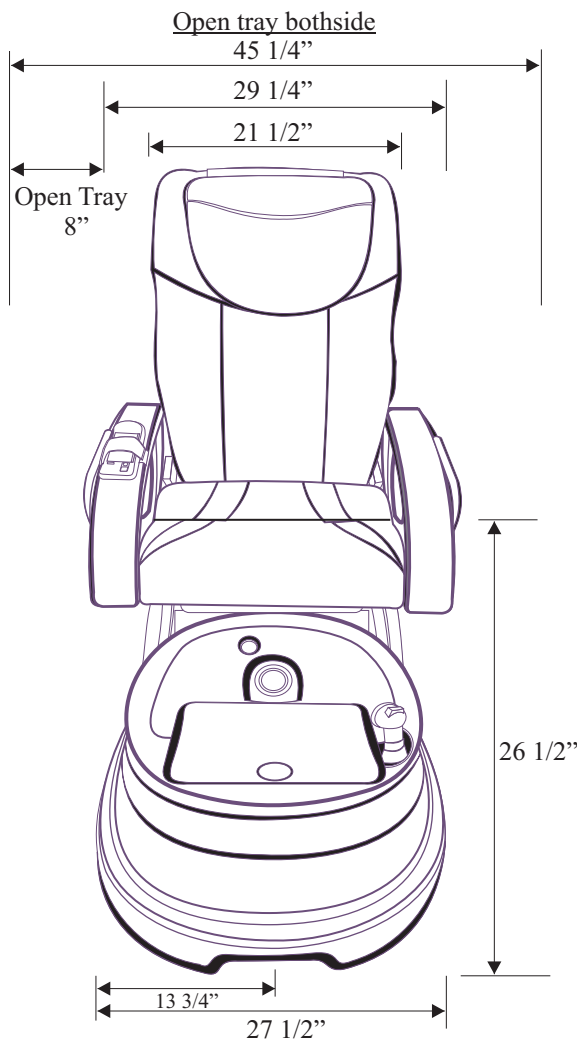


Due to continuous improvements on all our products, specification, characteristics, packing, color, designs are subject to change without notice.

Pacific

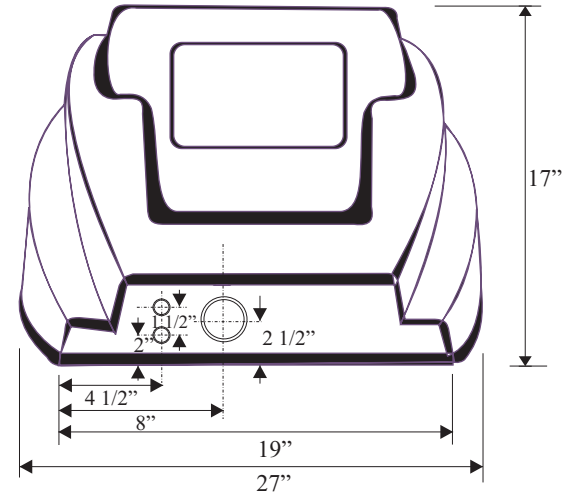
Dimension

Front View

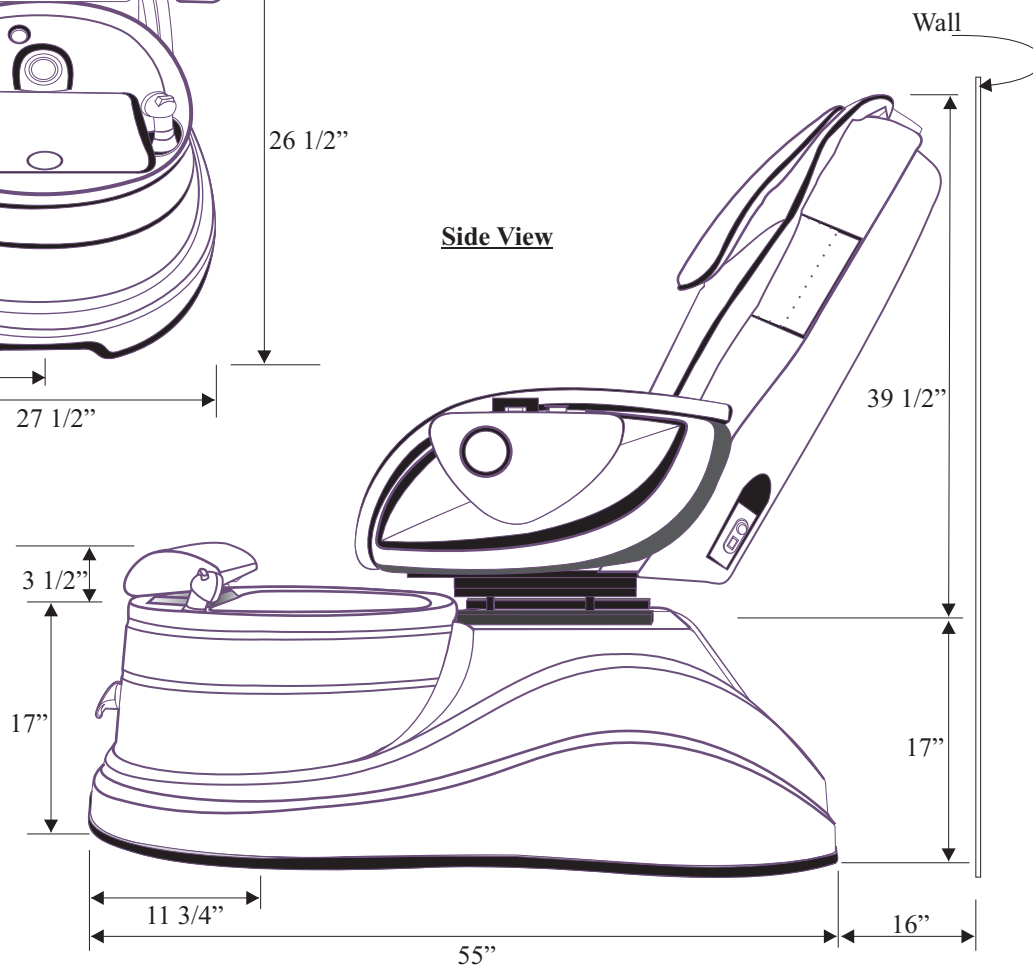


Rear View

Wall drain outlet (2 1/2" PVC) Location / Hot & Cold Inlet (1/2") Location



Side View



Manufactured by:	Date:
J&A USA Inc.	Nov/12/13
Model & Dimension:	Prepared by:
Pacific	J&A USA Inc.

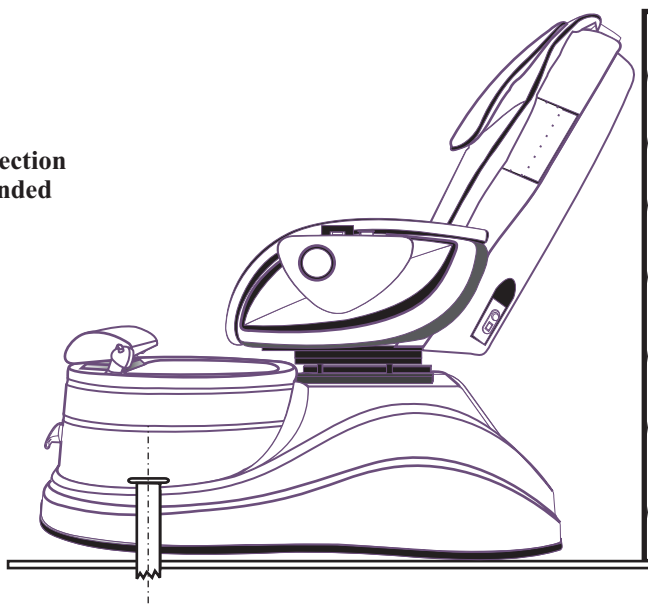
Pacific DRAIN

Back Flow Prevention Device (Dual Check Valve)

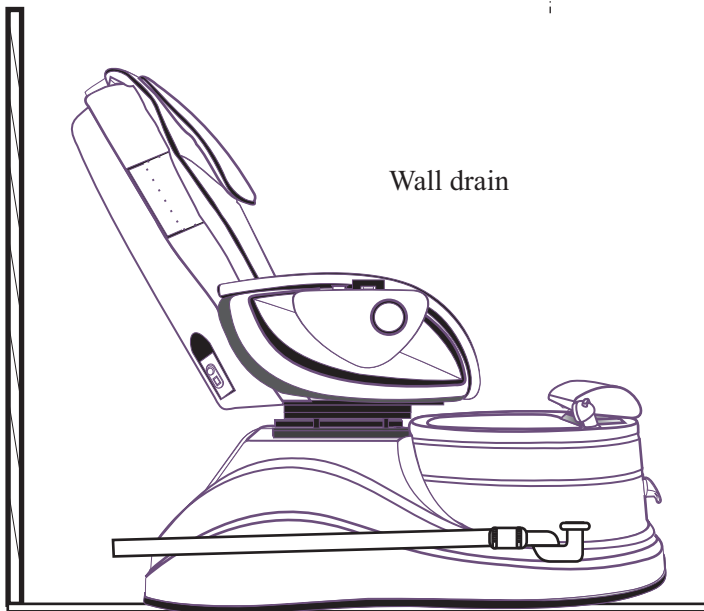
Specification

Device Name Dual Check Valve Backflow Preventor
Device MFG WATTS Regulator Company / North Andover, MA
Device Model WATTS 3/8 7, 7C and 3/4 H7, H7C
Device Spec. ANSI/ASSE Standard 1024 & 1032, CSA Certified NO.B64.6
Device Pressure Max, minimum pressure 150 psi. - 10 psi, Recommended Flow 10 gpm
Device Temp. 33F - 144F Consistent; Intermittent to 180F
All J&A USA Inc. Pedicure spa is/are equipped with Back Flow Prevention Device (Dual Check Valve) as standard.

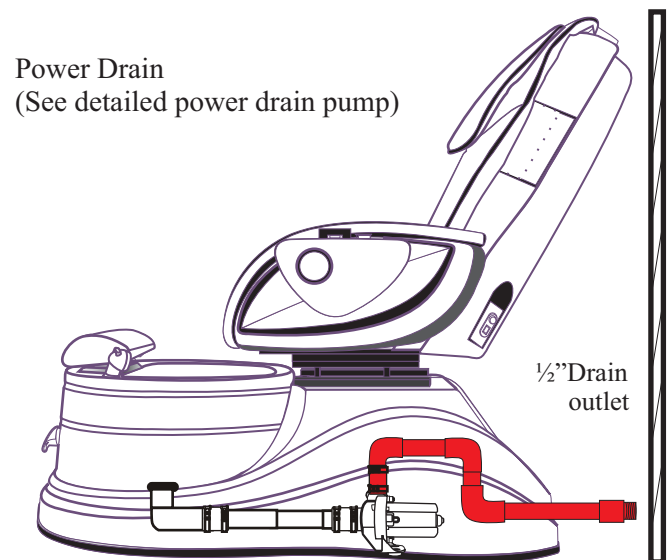
**Basement Connection
(NOT recommended
on floor drain)**



Wall drain



Power Drain
(See detailed power drain pump)

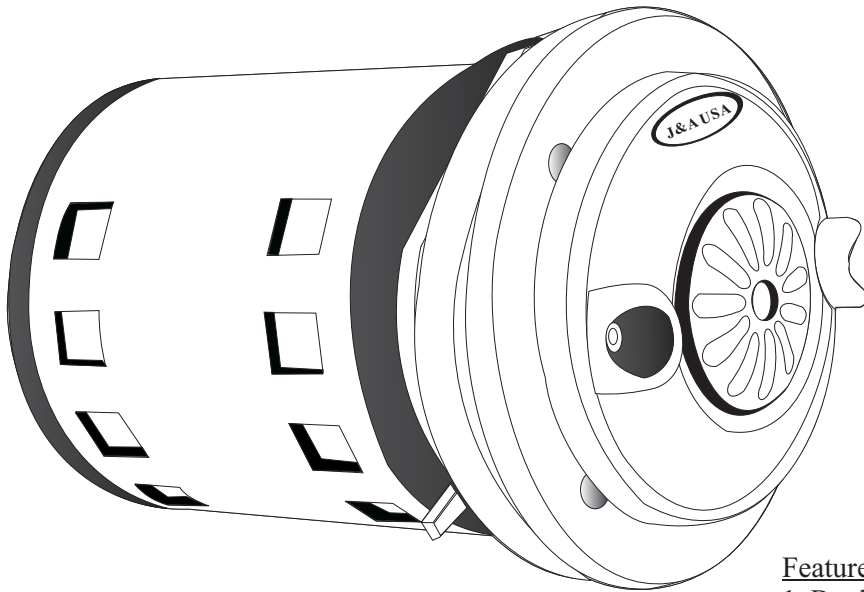


Dura-Jet III

Safety Instructions

When using electrical equipment, basic safety precautions should always be followed to reduce the risk of fire, electrical shock, and injury to persons, including the following:

1. Read and follow all instructions before using the equipment.
2. Keep the cord out of heavy traffic area. To avoid fire hazard NEVER put the cord under the rugs, near heat generating devices.
3. Always turn off the equipment before servicing.
4. Do not drop or insert any object into any openings.
5. Do not operate any equipment with a damage parts.
6. Any other use not recommended by the manufacturer may electrical shock or injury to persons.
7. Never use outdoors
8. Do not attempt to repair or adjust any electrical or mechanical functions on the unit.



Feature

1. Dual powerful massage jet-streams
2. Jet assembly can be attached from the pump for quick cleaning and sanitizing.
3. Built-in electronic sensor for pump control.
4. AC motor (long life)
5. Extremely low power consumption .
6. Manufactured in USA.

Cleaning Instruction

1. Ensure the unit is off
2. Remove the front cover
3. Remove the impeller and impeller cover
4. Use anti-bacterial solution (EPA registered) to clean all plastic parts.
5. Reassemble the front cover

DURA-JET III Specifications

Model: DURA_JETIII -120Vac, 0.4 Amp. 60Hz,

Pump: Dual Air Jet Flow

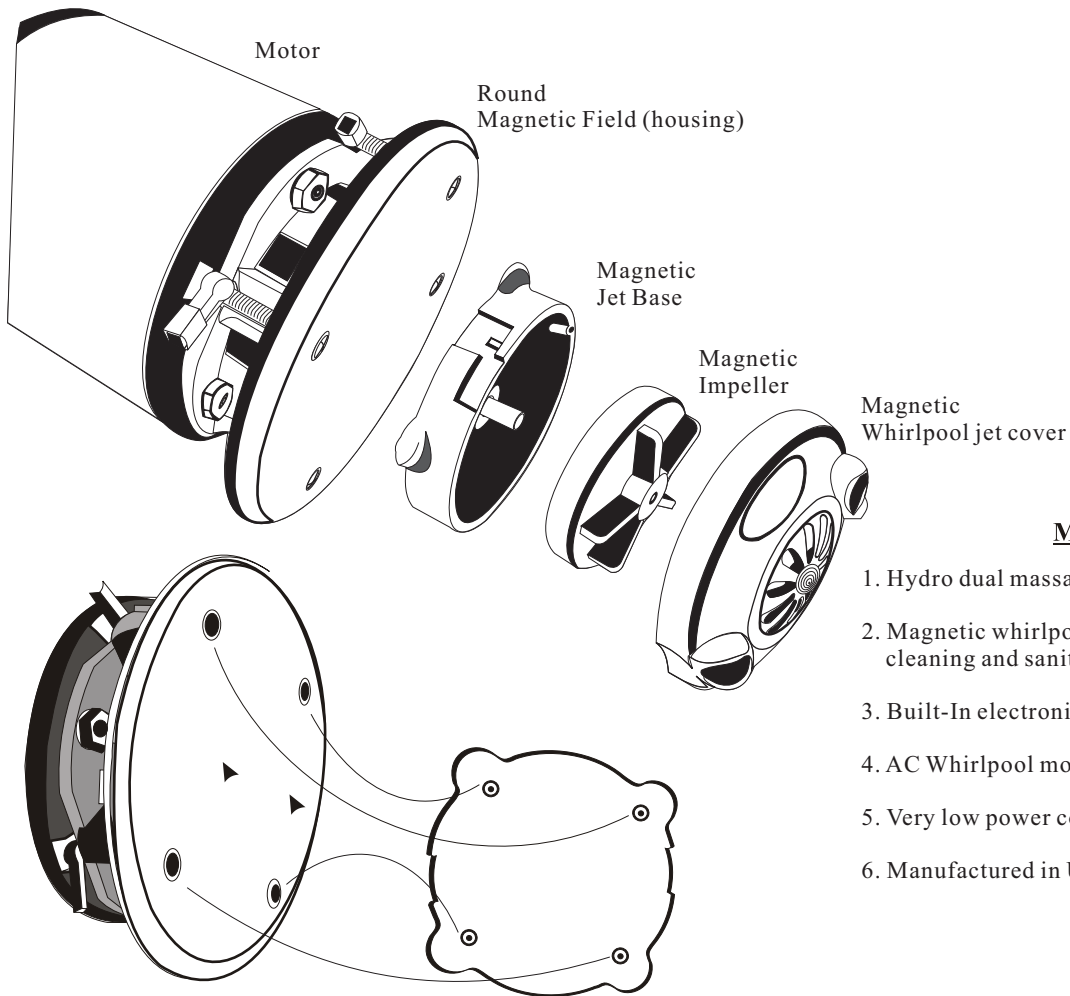
Mounting: Single 3.5" hole
Auto tighten Mounting screws(4)

MAGNA-JET (OPTIONAL)

Safety Instructions

When using electrical equipment, Basic safety precautions must be followed to reduce the risk of fire, electrical shock, and injury to Persons.

1. Read and follow all instructions before using the equipment.
2. Keep electrical cord out of heavy traffic area. To avoid fire hazard NEVER place electrical cord under the rug, near heat Generating devices.
3. Always turn power off the equipment before service.
4. Do not drop or insert any object into any openings.
5. Do not operate any equipment with damaged parts.
6. Any other use not recommended by the manufacturer may cause electrical shock or cause injury to person/s.
7. Never use it outdoors
8. Do not attempt to repair or adjust any electrical or mechanical.



MAGNA-JET Features

1. Hydro dual massage jet stream
2. Magnetic whirlpool jet cover can be remove for quick cleaning and sanitizing.
3. Built-In electronic sensor for pump control.
4. AC Whirlpool motor (long life)
5. Very low power consumption (27W)
6. Manufactured in USA.

Cleaning Instruction

1. Turn off the unit and wait until the motor is fully stops.
2. Hold Hydro whirlpool jet cover firmly and pull to separate from the round magnetic field.
3. Turn hydro whirlpool jet cover to left to open and pull out impeller.
4. Use Anti - Bacterial solution (EPA Registered) to clean all parts.
5. After sanitize all parts, place impeller and close hydro whirlpool jet cover to turn right to lock
6. Hold firmly the whirlpool cover jet and gently place it onto the round magnetic field. Do not release the hydro whirlpool jet cover until Jet cover is on the round magnetic housing.

MAGNA-JET Specifications

Model: MAGNA-JET - 120VAC, 60Hz, 1.0Amp, 27W

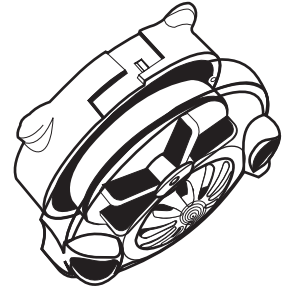
Pump: Hydro-Massage Dual jet Flow

Mounting: Single 3.5" hole Diameter
Auto tighten Mounting screws(4)

How to USE Magnetic jet !

WARNING: DO NOT RUN DRY, BASIN MUST FILLED WITH WATER TO LEVEL INDICATOR.

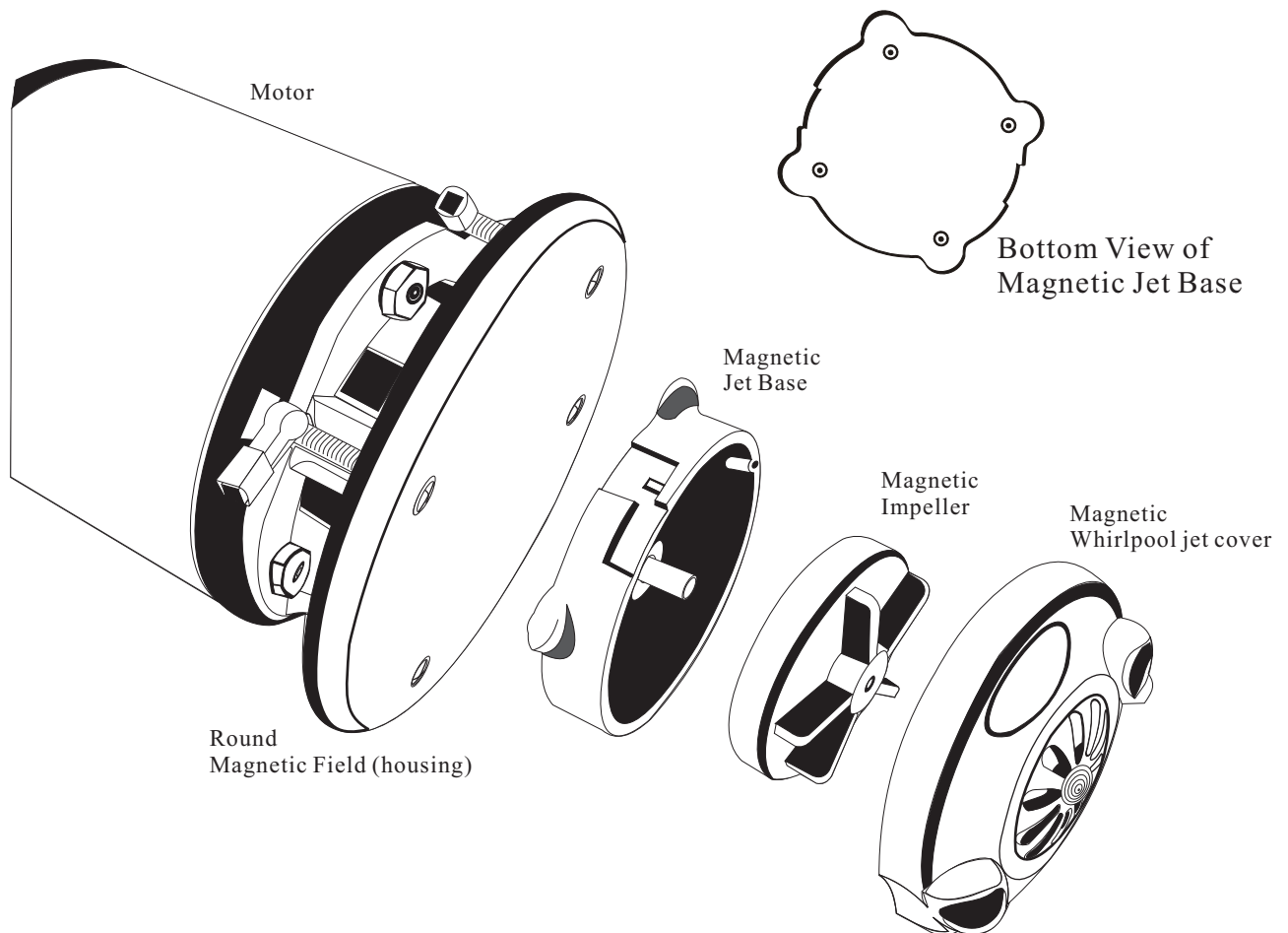
CAUTION: MAGNETIC JET COVER ASSEMBLY MUST ALIGN WITH DISCHARGE PORT POSITIONED AT 3/9 O'CLOCK.



WHEN READY TO USE, **MAKE SURE** JET COVER IS POSITIONED AT **3/9 O'CLOCK** FOR PROPER WHIRLPOOL ACTION IN THE BASIN. IF JET COVER IS **NOT** ALIGN AT 3/9 O'CLOCK, WATER WILL SPLASH OUTSIDE OF THE BASIN.

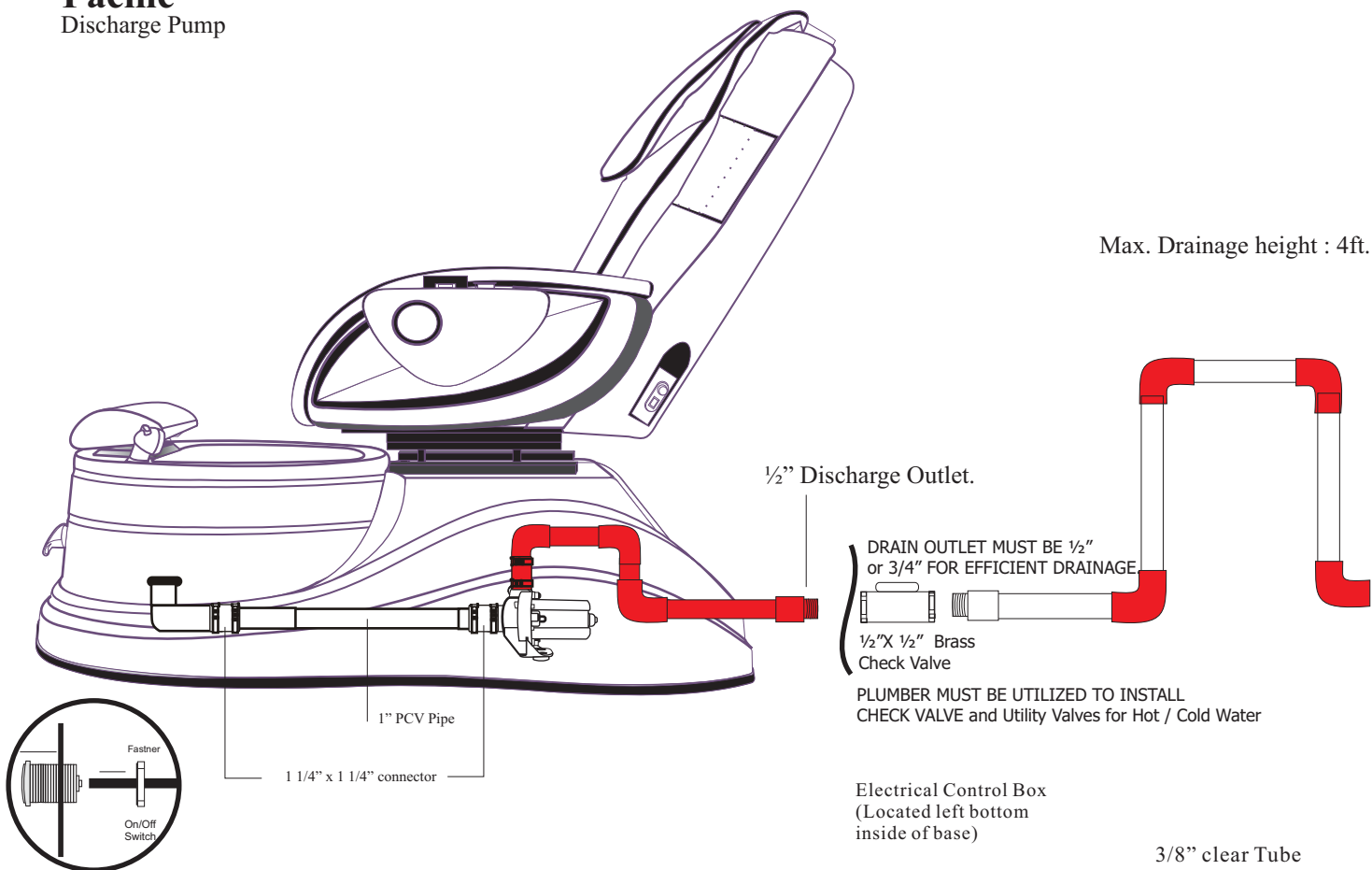
PROPER WAY TO USE MAGNETIC JET SYSTEM

- 1- FILL THE WATER TO WATER LEVEL INDICATOR.
- 2- HOLD MAGNETIC JET FIRMLY TO BRING CLOSER TO THE ROUND MAGNETIC FIELD AND DO NOT RELEASE THE MAGNETIC JET PREMATURELY OR THIS WILL CAUSE IMPACTS ON THE JET COVER AND THE ROUND MAGNETIC FIELD(HOUSING) SHORTENING THE LIFE EXPECTANCY OF THE JET COVER. WHEN THE JET COVER NEARS THE ROUND MAGNETIC FIELD, PLACE JET COVER ONTO THE FOUR DIMPLE AREA (SEE DIAGRAM). THE JET COVER MUST ALIGN WITH DISCHARGE PORTS POSITIONED AT 3/9 O'CLOCK.
- 3- WHEN FINISHED WITH CLIENT, DO NOT REMOVE MAGNETIC JET UNTIL MOTOR IS FULLY STOPPED.
- 4- WHEN MOTOR IS FULLY STOPPED, REMOVE MAGNETIC JET COVER FROM THE MOTOR AND REMOVE JET COVER AND IMPELLER FOR SANITIZATION.



Pacific

Discharge Pump



Installation Instruction

1. Make a hole (size 1-3/8") for the On/Off switch as shown (see fig 1). Pre-drill required.
2. Placed a 1/8" clear hose into the rear of the switch and on/off switch into the hole.
3. The discharge pump kit is made to fit onto the pedicure unit. (see fig 2)
4. Connect E-Z connector onto the drain elbow.
5. Plug discharge pump outlet into the two minute timer outlet
6. Plug two minute timer into the wall outlet.
7. It is very important that tip of the clear tub remain above the water Level with one loop as shown.

**** Please cut to fit 1" Flex hose to your size****

Operation Instruction

Warning ! DO NOT RUN DRY

1. Turn to open drain plug. 3 to 5 second for air to release from the pipe
2. Press On/Off switch to activate timer.
3. At any time, water drain completely from the basin. Press On/Off switch to stop or built in two minute timer.

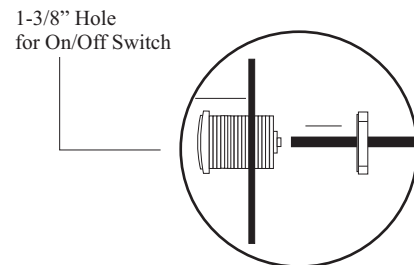
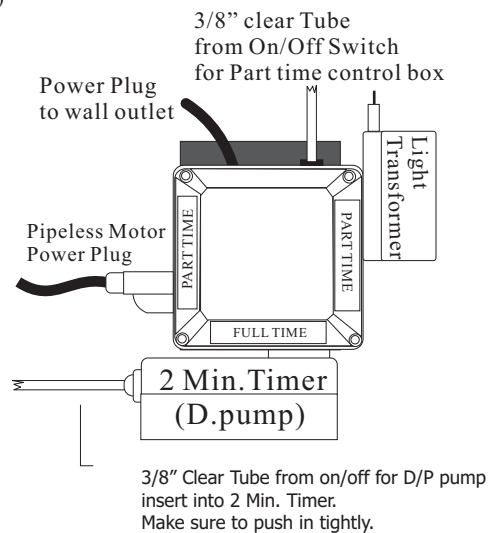
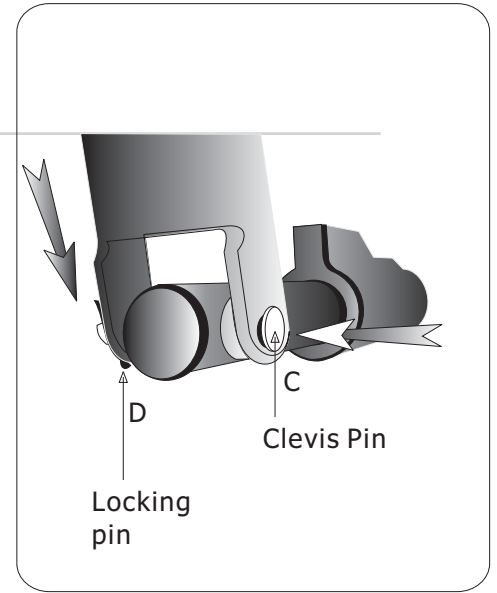
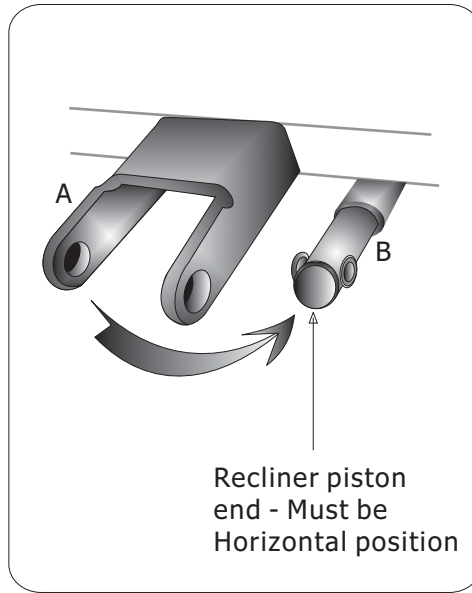
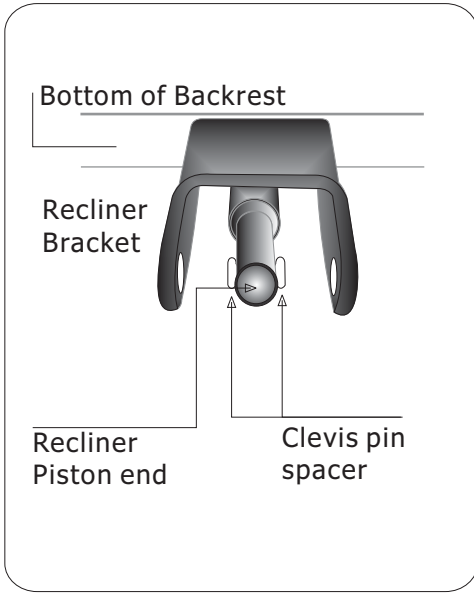


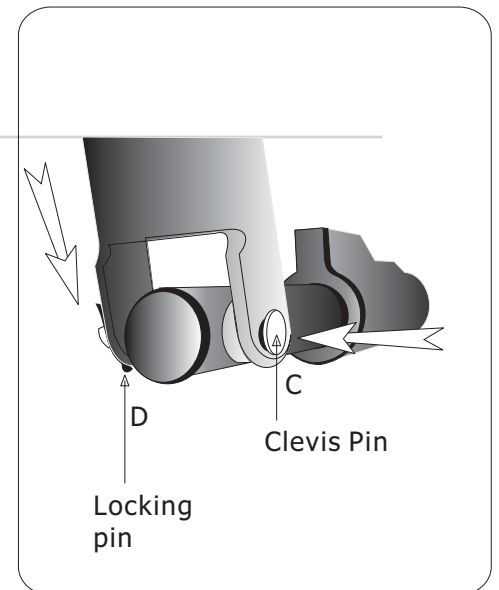
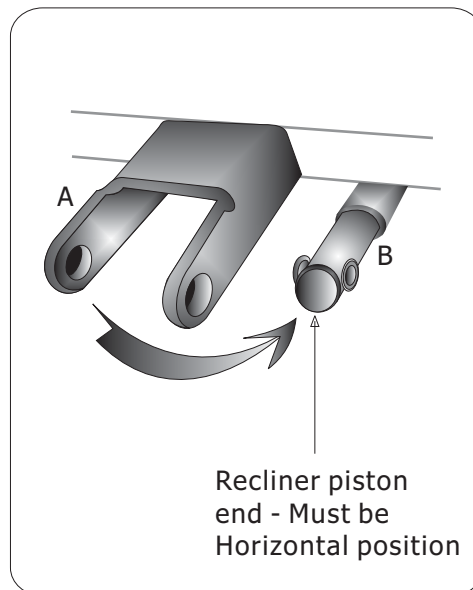
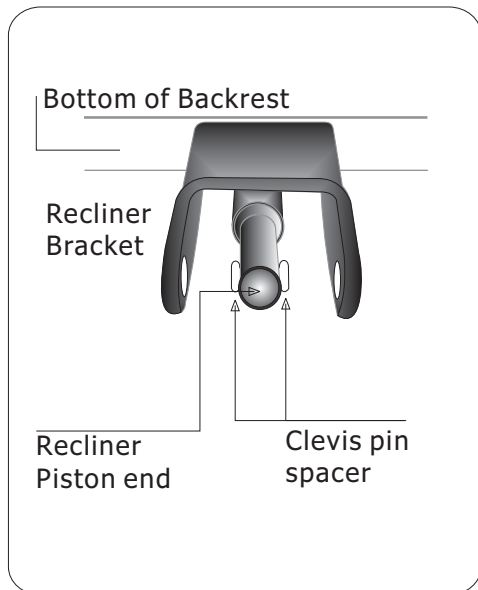
Figure 1

Recliner Piston End Attachment Instruction



1. Remove Clevis pin from recliner piston end and make sure it is in horizontal position.
2. Slowly raise up the backrest to aligned with recliner piston.
3. Insert Clevis Pin into the backrest bracket through recliner piston and secure with locking pin.

Recliner Piston End Attachment Instruction



1. Remove Clevis pin from recliner piston end and make sure it is in horizontal position.
2. Slowly raise up the backrest to aligned with recliner piston.
3. Insert Clevis Pin into the backrest bracket through recliner piston and secure with locking pin.

DISINFECTING YOUR PEDICURE SPA

Note: Please be advised that it is responsibility of purchaser/user to adhere strictly to the following procedure. Any non-compliance will be considered negligence of the purchaser/user.

The Bureau of barbering and cosmetology requires that salons using whirlpool pedicure spas use the following disinfecting Procedures to ensure proper cleaning and maintenance of the equipment, and to prevent bacterial infection. For your clients safety, always use the regulations as a minimum standard for cleaning and disinfecting.

Chair maintenance

Please see chair manual for Do and Don't

At the end of the day:

1. Remove the intake suction screen, All debris trapped behind the screen of each pedicure spa must be removed. And the screen and the inlet shall be washed with soap or detergent and water
2. Before replacing the screen, Totally immersed the screen into an EPA- registered disinfectant with bactericidal, Fungicidal, and virucidal activity.
3. Finally, flush the whirlpool system with low-suding detergent and warm OR an EPA - registered cleanser for 10 minutes. Rinse with clean fresh water and drain.

Note:

Cleaning or sanitizing is NOT disinfecting. According to the CDC and EPA, disinfecting occurs only when there is a reduction of pathogenic microbes at 99.999%. Sanitizing is a only reduction of 99.9%. Cleaning of whirlpool pedicure spa requires surfactant and chelating detergents that are low foaming and have ability to remove body oils, organic oil additives, mineral oil, skin cell, nail clippings, etc.. that can accumulate both in the basin and the jets which may become fertile area for micro organism to grow.

Note:

The use of oil based products can build up in the whirlpool system causing clogging in the jet and build up onto the surface of the basin. Adherence to the above cleaning will minimize build up thus the manufacturer recommend not to use mineral oil based product.

USER RECOMMENDATION

PLEASE READ THE MANUAL THOROUGHLY BEFORE USE TO ENSURE CORRECT OPERATION.
THOSE UNDER A DOCTORS CARE OR WHO ARE EXPERIENCING ONE OR MORE OF THE FOLLOWING DONDITIONS SHOULD CONSULT THEIR DOCTOR BEFORE USE.

- You are receiving medical treatment or are feeling ill.
- Your body shows any cute symptoms.
- You have heart disease.
- You are pregnant or having a menstrual period.
- Your doctor has ordered you to rest.
- You have a back disorder resulting from an accident or disease.
- You have a high fever.
- You have sensory disorders.
- You have medical electrical device (e.g. pacemaker).
- You have service interruption in the circulation of the legs.
- You are diabetic.

FAILURE TO DO SO MAY RESULT IN ACCIDENTS AND HEALTH PROBLEMS.





QMTX.E242637
Plumbing Accessories

[Page Bottom](#)

Plumbing Accessories

[See General Information for Plumbing Accessories](#)

J & A USA INC
200 RODEO DR
EDGEWOOD, NY 11717 USA

E242637

Whirlpool pedicure spas, Models PS300, PS650LX, Episode, Episode-S Type, Toepia, Cleo, Petra, Lenox.

[Last Updated](#) on 2011-09-26

[Questions?](#)

[Print this page](#)

[Notice of Disclaimer](#)

[Page Top](#)

[Copyright © 2011 Underwriters Laboratories Inc.®](#)

The appearance of a company's name or product in this database does not in itself assure that products so identified have been manufactured under UL's Follow-Up Service. Only those products bearing the UL Mark should be considered to be Listed and covered under UL's Follow-Up Service. Always look for the Mark on the product.

UL permits the reproduction of the material contained in the Online Certification Directory subject to the following conditions: 1. The Guide Information, Designs and/or Listings (files) must be presented in their entirety and in a non-misleading manner, without any manipulation of the data (or drawings). 2. The statement "Reprinted from the Online Certifications Directory with permission from Underwriters Laboratories Inc." must appear adjacent to the extracted material. In addition, the reprinted material must include a copyright notice in the following format: "Copyright © 2011 Underwriters Laboratories Inc.®"



**Back Flow Prevention Device
(Dual Check Valve)**

May 1,2007

In accordance with applicable Local or State regulations,
J&A USA Inc., The manufacturer of the pedicure whirlpool spa certifies that the following models are
equipped with factory installed Dual Check Valve back flow preventer:

- ** Lenox Series
- ** Cleo Series
- ** Episode Series
- ** Pacific Series
- ** Petra Series
- ** Toepia Series

The specification of the installed device is as follows:

DEVICE NAME	DUAL CHECK VALVE BACKFLOW PREVENTOR
DEVICE MANUFACTURER	WATTS REGULATOR COMPANY NORTH ANDOVER, MA
DEVICE MODEL	WATTS 3/8 7, 7C AND 3/4 H7,H7C
DEVICE SPECIFICATION	TESTED AND CERTIFIED TO MEET ANSI/ASSE STANDARD 1024 & 1032 CSA CERTIFIED TO STANDARD NO.B64.6
DEVICE PRESSURE	MAXIMUM PRESSURE: 150 PSI (10 BAR) MINIMUM PRESSURE : 10 PSI (69KPA) MAXIMUM RECOMMENDED FLOW: 10GPM
DEVICE TEMPERATURE	WORKING TEMPERATURE: 33F~144F CONSISTENT; INTERMITTENT TO 180F

ALL MODELS OF PEDICURE SPA MENTIONED ABOVE ARE EQUIPPED WITH THE SUBJECT DEVICE
AS STANDARD FEATURE. As for your information, indicated State requires Vaccum Breaker.

** Effective April 01 2005:

ARIZONA, CALIFORNIA, NEBRASKA, NEVADA, OREGON,
TEXAS AND WASHINGTON

** Effective June 15 2005:

ILLINOIS, MINNESOTA, WISCONSIN, MICHIGAN

** Effective May 01 2007:

CONNECTICUT

For additional information, Please contact us at 631-243-3336 ext. 108
Very Truly yours,

Technical Support

J&A USA Inc.

335 Crooked Hill Road
Brentwood, NY 11717
Tel: 631.243.3336
Fax: 631.243.3339

www.jausainc.com

J&A USA Inc. Limited Warranty

J&A USA Product: Lenox, Episode, Petra, Toepia, Cleo, Pacific
J&A Accessories: Tri-Stool, Euro Stool, Galaxy Stool and Cookie stool



The Original Purchase Receipt is required as a proof of purchase.
Duration of the Limited Warranty for J&A Accessories : 90 Days from date of Purchase
Duration of the Limited Warranty For Pedicure Spa: One year from date of Purchase
Coverage on Limited Warranty: Part/s & Labor

Extent of Limited Warranty

J&A USA warrants that the J&A Pedicure Spas that you have purchased are free from defects in material or workmanship under normal use during the Limited Warranty period. The Limited Warranty period starts on the date of purchase. You will be required to provide proof of purchase as a condition of receiving warranty service.

During the Limited Warranty period, J&A will, at its sole discretion, repair or replace any defective component. All component parts removed under this Limited Warranty become property of J&A USA Inc.

In the unlikely event that J&A is unable to repair or provide equivalent parts for defective product covered under the Limited Warranty, J&A will, at its sole discretion, may elect to provide customer with a replacement unit of J&A's choosing that is the same or equivalent to customer's J&A Pedicure Spa in performance OR may give customer a refund of the purchased price in lieu of replacement. Let it be understood that J&A has no obligation to repair, replace or refund until the verification process by J&A USA is deemed complete. J&A USA Inc's Limited Warranty is valid in the USA where the covered J&A's Pedicure Spa is distributed by J&A and its distributors.

It is required that serial number be made available when requesting a limited warranty service. Failure to do so may result in "service request" to be categorized as that of "out of warranty" request which as a result, will incur charges to the requester.

Unless otherwise stated, and to the extent permitted by local law, J&A will, at its sole discretion, repair or replace any defective component with new or parts equivalent to new. Replacement parts are warranted to be free from defects in material or workmanship for ninety(90) days or for the remainder of the Limited Warranty period of the J&A's Pedicure Spa at issue, whichever is longer.

Warranty Exclusion

J&A USA is not responsible for damage that occurs as a result of customer's failure to follow the instructions intended for J&A Pedicure Spa. The Limited Warranty does not apply to consumable part/s as well as to parts considered "wear & tear" items such as , but not limited to, whirlpool components, showerhead, impeller, jet covers and does not extend to Product which has (1) been improperly or inadequately maintained or modified (2) been modified in any way or misused (3) been installed / set up on improperly prepared site. (4) been tampered with in any way such as (a) improper installation (b) usage of re-manufactured or refurbished plumbing component/s. (C) abused, (d) neglected, (e) Moved from its initial location of the installation, and (f) Subject to faulty maintenance, abuse, misuse, accident or other damages.

The Limited Warranty does not apply to local building code compliance. Since local building codes vary considerably, the customer must check with a local building or plumbing contractor to ensure the local code compliance is met before installation. The Limited Warranty applies only to the original purchaser of the J&A product.

Limitation of Warranty

TO THE EXTENT ALLOWED BY LOCAL LAW, NEITHER J&A NOR ITS THIRD PARTY SUPPLIER MAKES ANY OTHER WARRANTY OR CONDITION OF ANY KIND WHETHER EXPRESSED OR IMPLIED WITH RESPECT TO THE J&A PRODUCT AND SPECIFICALLY DISCLAIM THE IMPLIED WARRANTIES OR CONDITIONS OF MERCHANTABILITY, SATISFACTORY QUALITY, AND FITNESS FOR A PARTICULAR PURPOSE. Some state or provinces do not allow limitations on the duration of an implied warranty. In this case above limitation or exclusion may not apply to you. This warranty gives you a specific legal right that varies from State to State or province to province.

Limitation of liability

TO THE EXTENT ALLOWED BY LOCAL LAW, EXCEPT FOR THE OBLIGATIONS SPECIFICALLY SET FORTH IN THIS WARRANTY STATEMENT, IN NO EVENT WILL J&A OR ITS THIRD PARTY SUPPLIERS BE LIABLE FOR ANY DAMAGED CAUSED BY J&A'S PEDICURE SPA OR THE FAILURE OF J&A PEDICURE SPA INCLUDING ANY LOST PROFIT OR SAVINGS, BUSINESS INTERRUPTION, LOSS OF USE OR ANY OTHER COMMERCIAL OR ECONOMIC LOSS OF ANY KIND, OR SPECIAL, INCREMENTAL, OR CONSEQUENTIAL DAMAGES. THIS LIMITATION OF LIABILITY APPLIES WHETHER DAMAGES ARE SOUGHT, OR A CLAIM MADE, UNDER THIS LIMITED WARRANTY OR AS A TORT CLAIM, A CONTRACT CLAIM OR ANY OTHER CLAIM.