

STERILIZER

COMPOSITION:

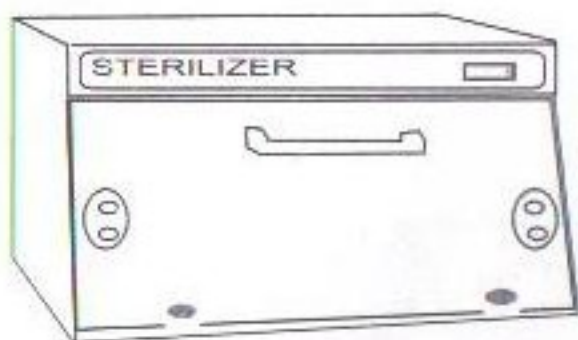
It is combined with one main unit, one two-level net, one handle, some screws etc.

FUNCTION:

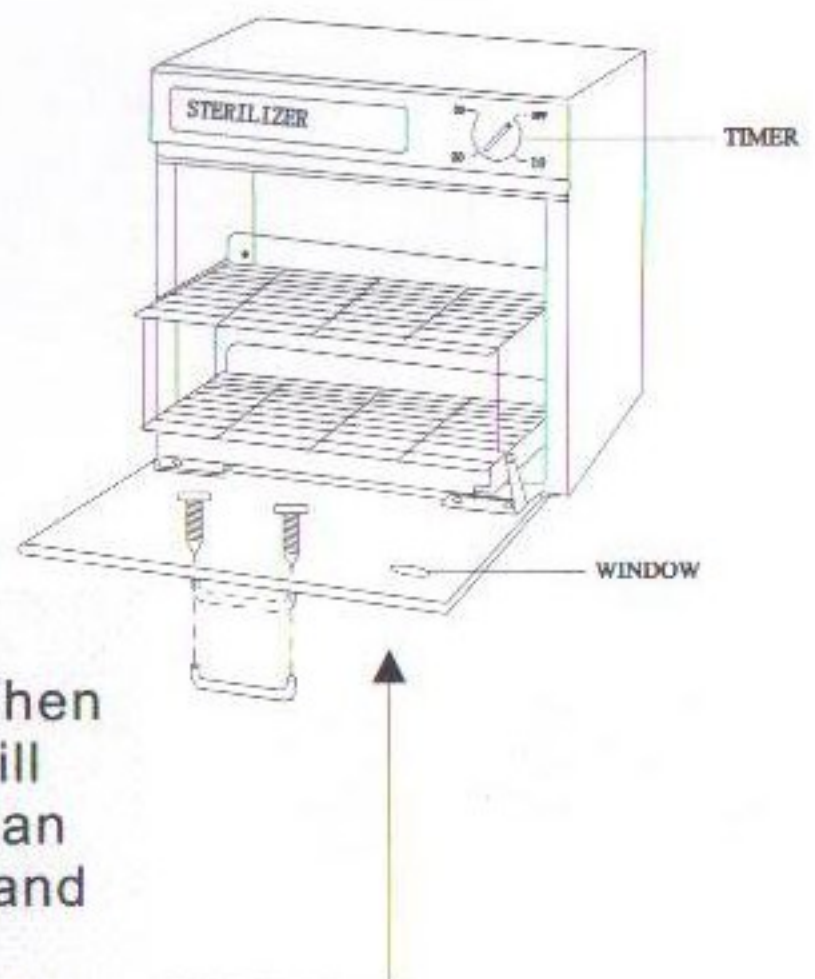
A useful basic appliance with UV-tube for an optical sterilization of any kind of instrument, Ventose, surgical operation, brushes, surgical operation knives, clippers, rollers etc.

OPERATING GUIDANCE:

- 1) Turn switch " ON " , then put the instrument inside 5 minutes later.
- 2) The instrument is ready for use after one hour sterilization.



(small)



FEATURES:

- 1) Having an automatic switch, When the door is opened, the light will shut off automatically, which can avoid any damage to the skin and eyes.
- 2) Owning a piece of protecting alloy board, which can prevent the ultraviolet ray from radiating outwards.