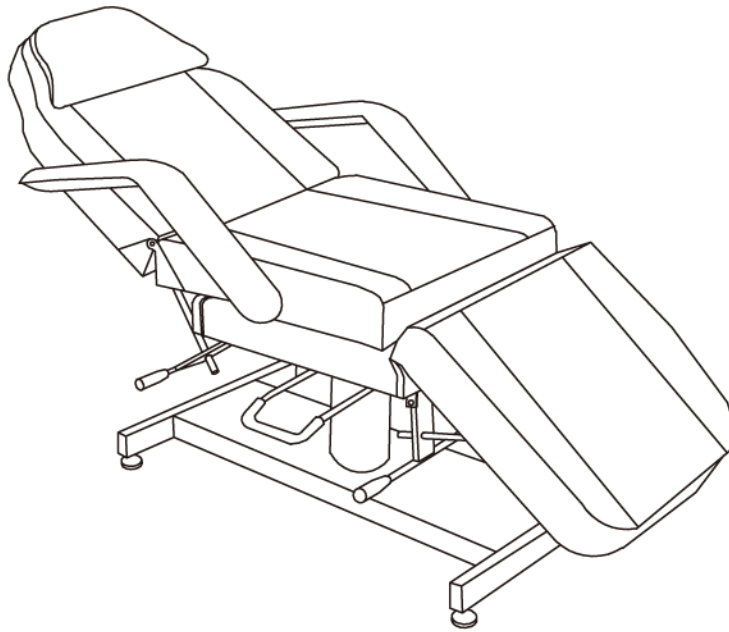
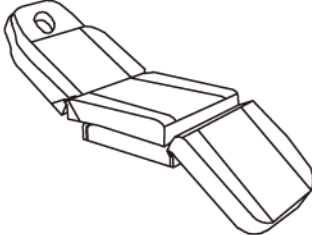
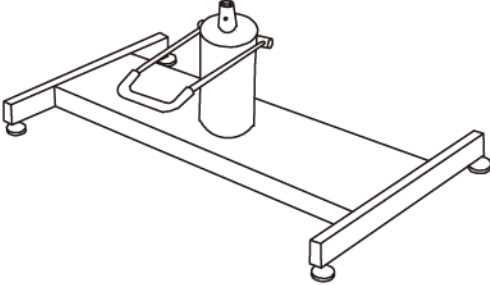


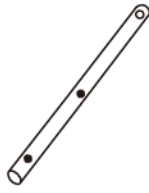




B&S Beauty Supply

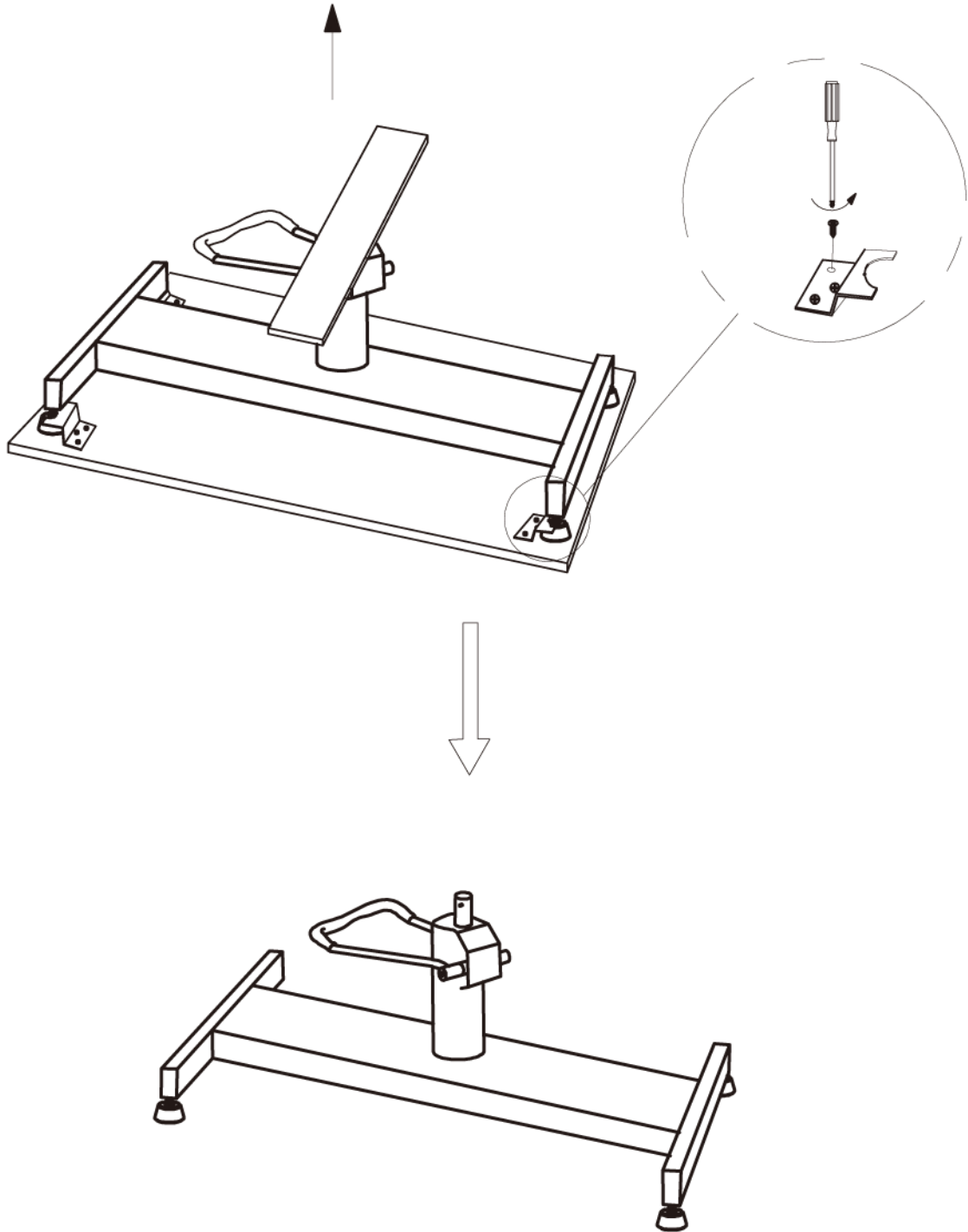
CSH-3906-2 STRUCTURE DESCRIPTION



<p>1</p> 	<p>2</p> 	<p>3</p> 	
<p>Mattress:1pcs</p>	<p>Base With Pump:1pcs</p>	<p>Armrest:2pcs</p>	
<p>4</p> 	<p>5</p> 	<p>6</p> 	<p>7</p> 
<p>Pillow:1pcs</p>	<p>Backrest Holder 560 mm: 2pcs</p>	<p>Footrest Holder 368mm: 2pcs</p>	<p>Mattress Screw Combination:7set</p>

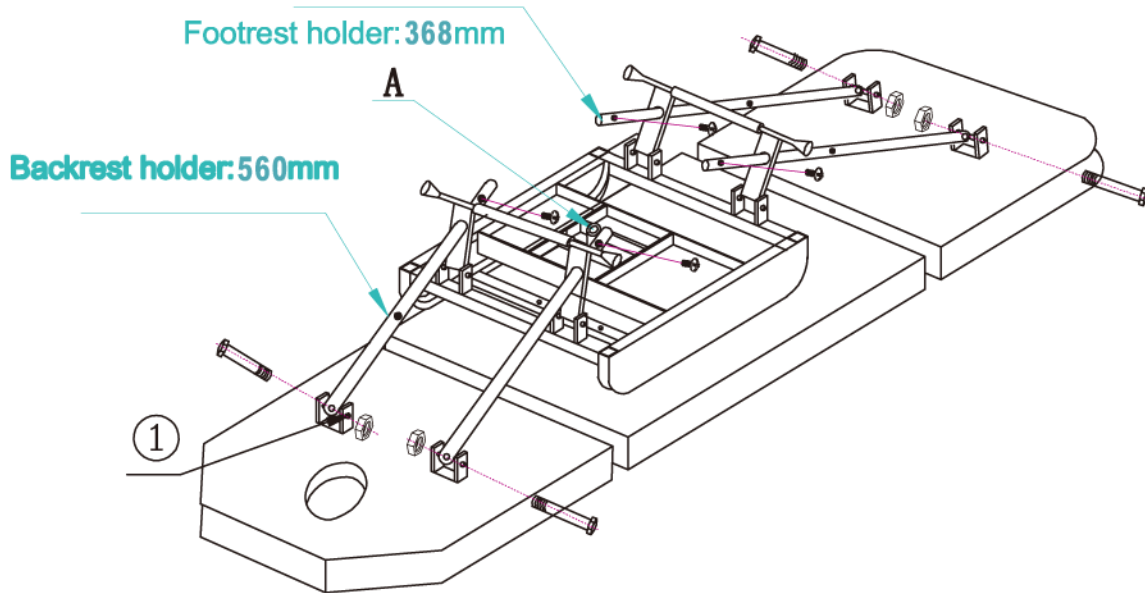
1. Take out of the Base

Please take out the support plate, then remove the " Z " style from the bottom board, so you could pick up the base hinges.



2. Install The Holders

Install the Backrest Holders and Footrest Holders as pictured. Secure them in place using the 4 sets of Screws and Bolts, which are already attached to the Mattress brackets. The letter A in the top diagram marks the position of where the Mattress will connect to the Base with Pump.

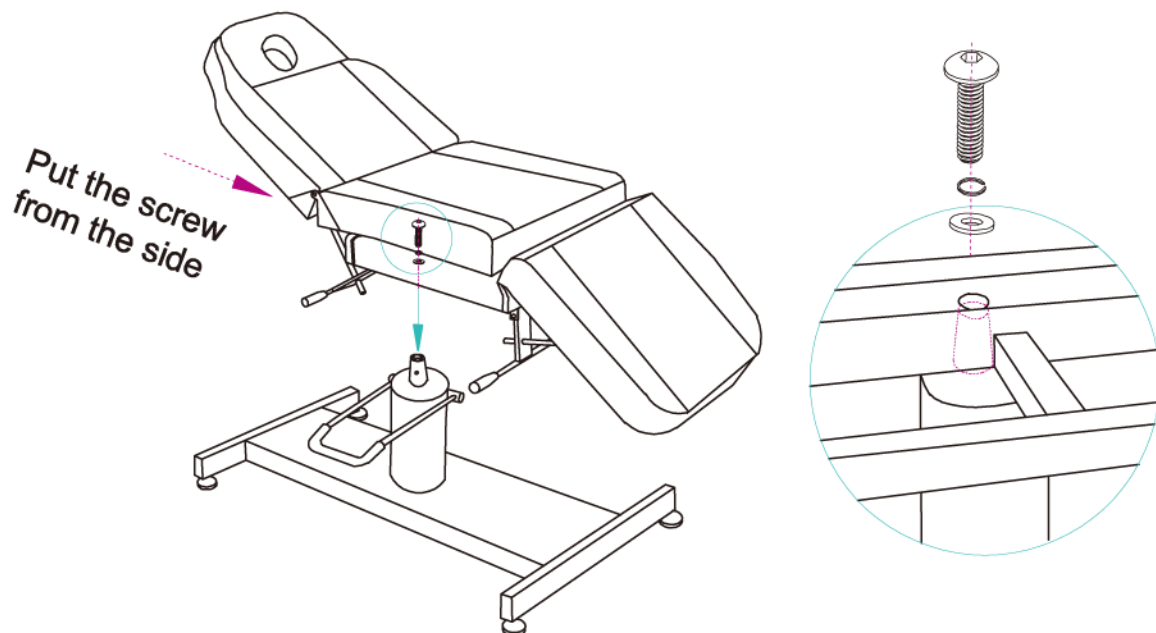


3. Install The Mattress

First, locate and remove the plastic bag taped to one of the legs, which contains the 5th Screw and Washers.

Then, carefully lower the Mattress onto the Pump as pictured.

Locate the hole in the frame where the Mattress Screw will be positioned, and then tighten the Mattress Screw with the Washers to secure the Mattress to the Pump.



4. Install the Pillow and the Armrests

The Pillow and the Armrests simply need to be placed in position as pictured. No nuts, bolts or screws are needed.

