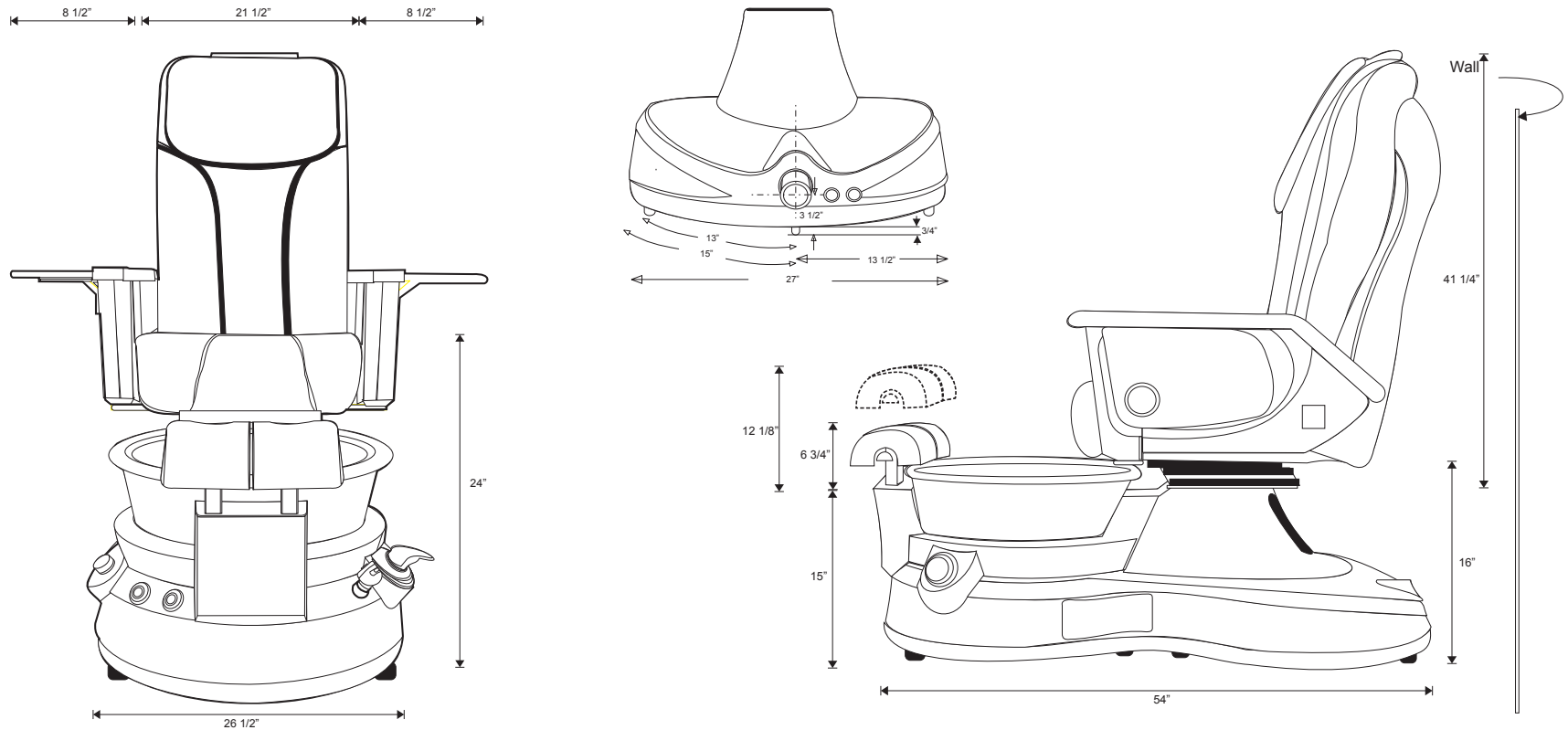


# LENOX LX PEDICURE SPA SPECIFICATIONS



Dimension & Weight (Shipping)

Lenox Pedicure Spa  
Stool

37"W x 67"L x 40"H  
27.25"W x 20.25"L x 17"H

285 lbs  
20lbs

Capacity of Tub

5 US Gallon

Switch

On/Off Air Activated Switch

Power Source

Dedicated 15Amp GFCI Protected Ground Outlet  
Magna-Jet Pipeless  
Massage System

115Vac. 3.2 Amp, 60Hz.  
120Vac. 3.12 Amp, 60Hz. 75W

Plumbing

Hot Water  
Cold Water  
Drain

0.5inches (Fitting Provided)  
0.5inches (Fitting Provided)  
1.5inches (See Plumbing Instruction)

Warranty

See detail in warranty page.