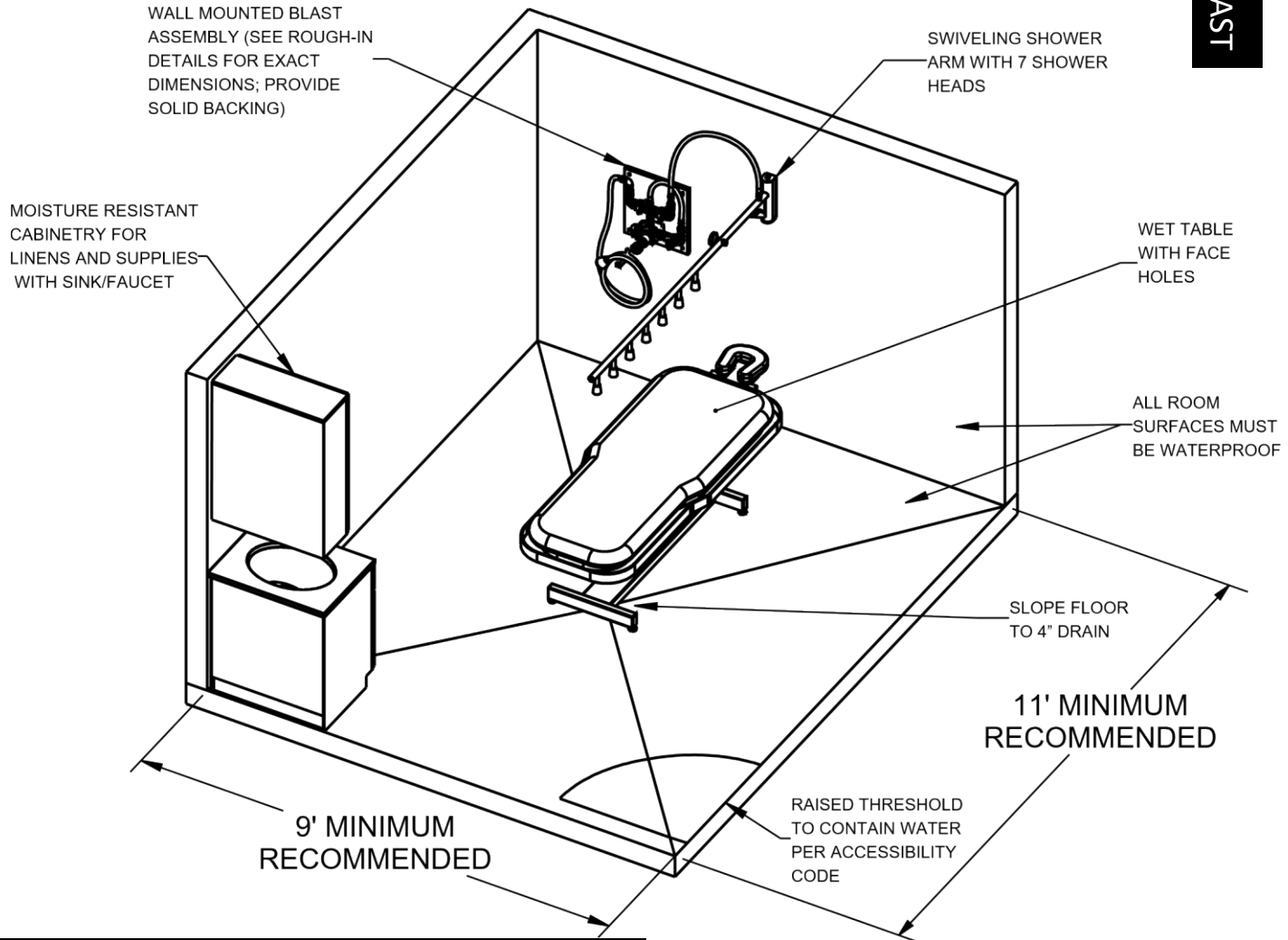


TYPICAL BLAST SHOWER ROOM LAYOUT



WaterWerks Limited 5 Year Warranty Statement

WaterWerks products are warranted to be free of defects in material and workmanship to the original domestic purchaser for five (5) years from the date of purchase as shown on the original invoice. If a defect is found, please contact WaterWerks at the phone number or email below for instructions. Defective parts or components that are covered under this warranty must be returned to WaterWerks insured and shipped pre-paid to the address shown below. WaterWerks will, at its option, repair or replace the defective part or component. This warranty does not cover labor charges, damage caused by improper installation or improper maintenance lack of reasonable maintenance as described in the product information or modifications. This warranty applies only to items that WaterWerks manufactures.

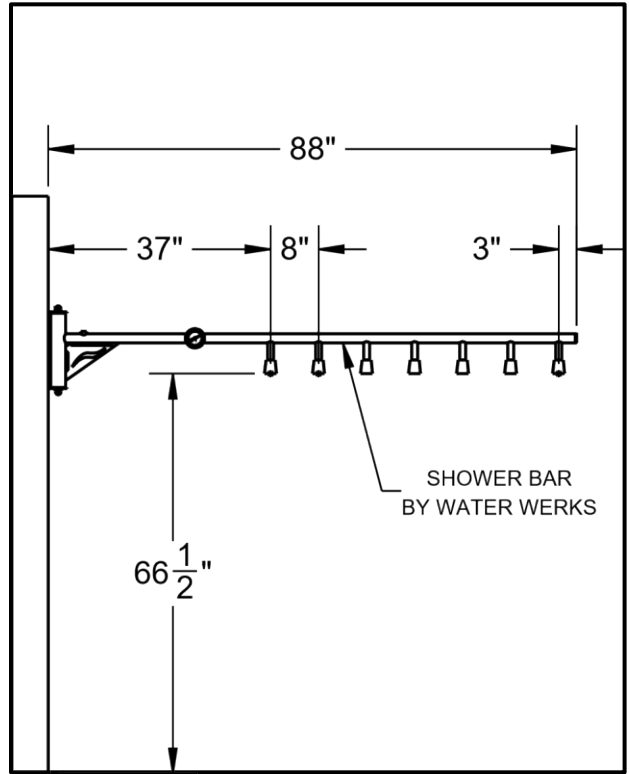
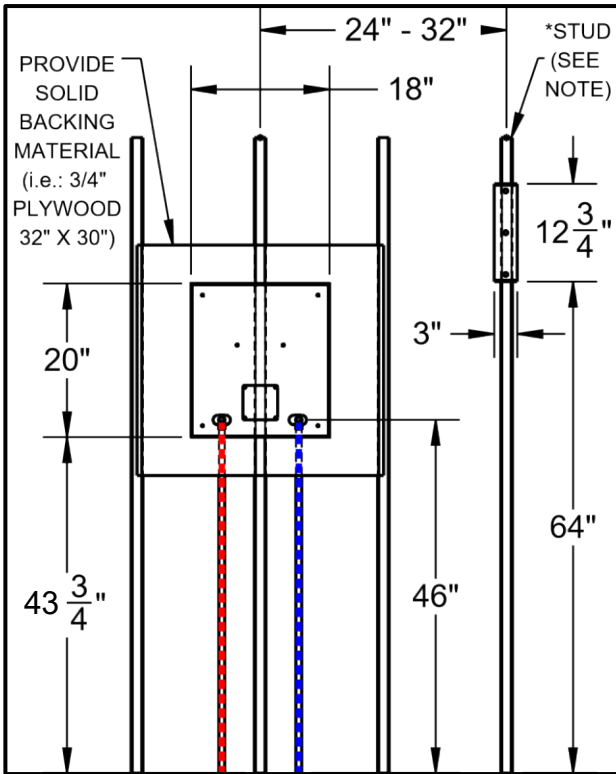
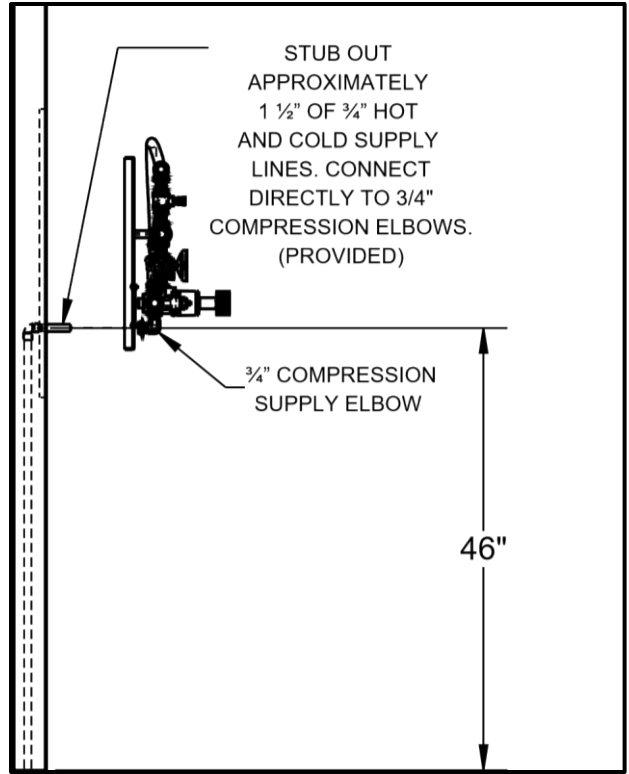
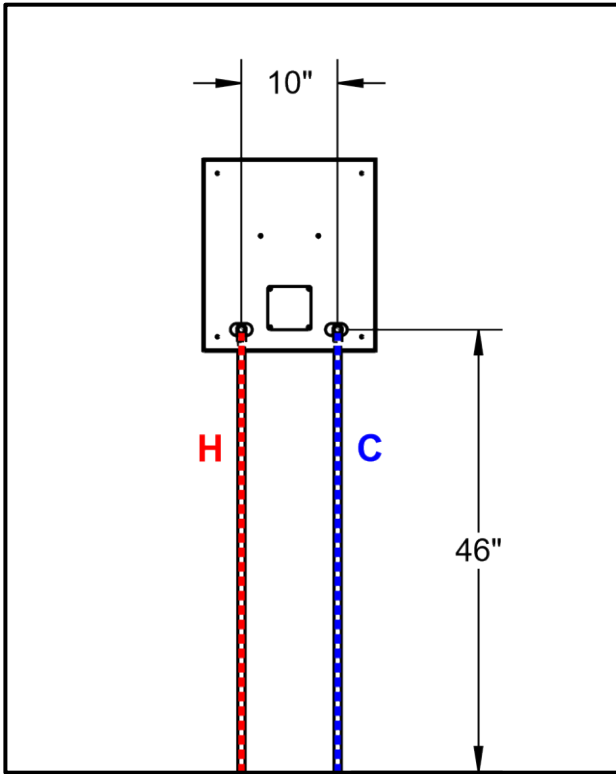
To obtain warranty service, contact WaterWerks either through your distributor, or by calling WaterWerks Customer Service Department at 952-884-9225 or by email at info@vichyshower.com. You may also write to us at WaterWerks Customer Service Department, 20859 Lakewood Drive, Grantsburg, WI 54840. Please provide all pertinent information regarding your claim such as model, purchase date, serial number, and type of problem or defect.

There are no other express warranties on this product and ALL WARRANTIES OF MERCHANTABILITY AND WARRANTIES AS TO FITNESS FOR A PARTICULAR PURPOSE AND ANY OTHER IMPLIED WARRANTIES ARE EXPRESSLY DENIED. This warranty gives you specific legal rights, and you may also have other rights which vary from state to state.

The following specific items or components of WaterWerks equipment come with their own manufacturers warranties that vary depending on the item:

This includes the mixing valve in the WaterWerks Torrent, Typhoon, Monsoon, Cascade, Vavoom, Blast, and Splash Showers. The tub components in the WaterWerks tub products.

To Contact Us: WaterWerks
 20859 Lakewood Drive
 Grantsburg, WI 54840
 952-884-9225 info@vichyshower.com
www.vichyshower.com



* Adequate reinforcement backing is required. Use of metal stud is not sufficient reinforcement and is not recommended. Use of wooded stud is acceptable or equivalent. Failure to provide adequate reinforcement will result in damage to the Blast Vichy Shower and may cause bodily harm and serious injury.