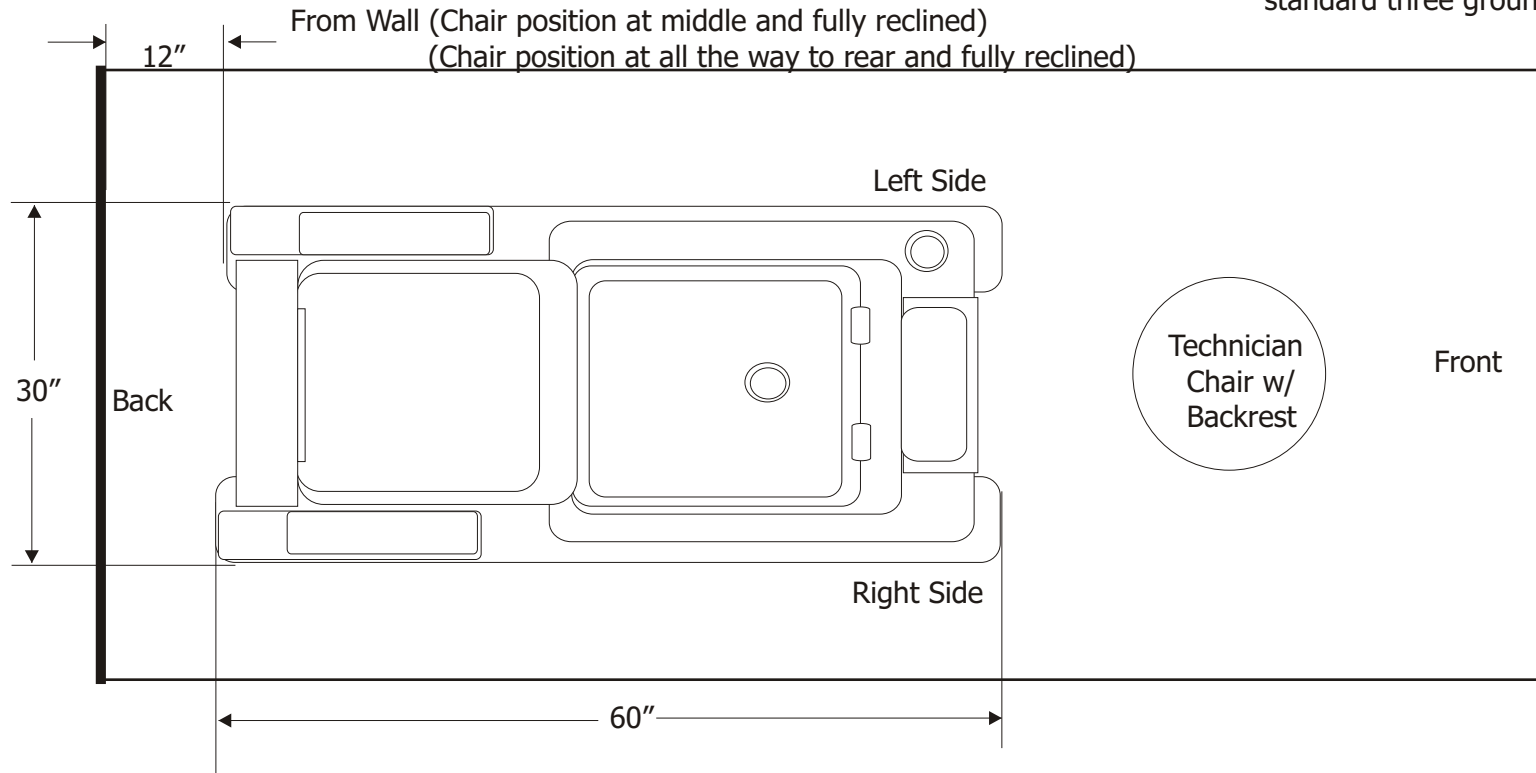


Electrical Requirements:

One dedicated GFCI protected wall outlet (15 amp.) MUST be used per unit

Each unit will be supplied with two standard three ground electrical cord



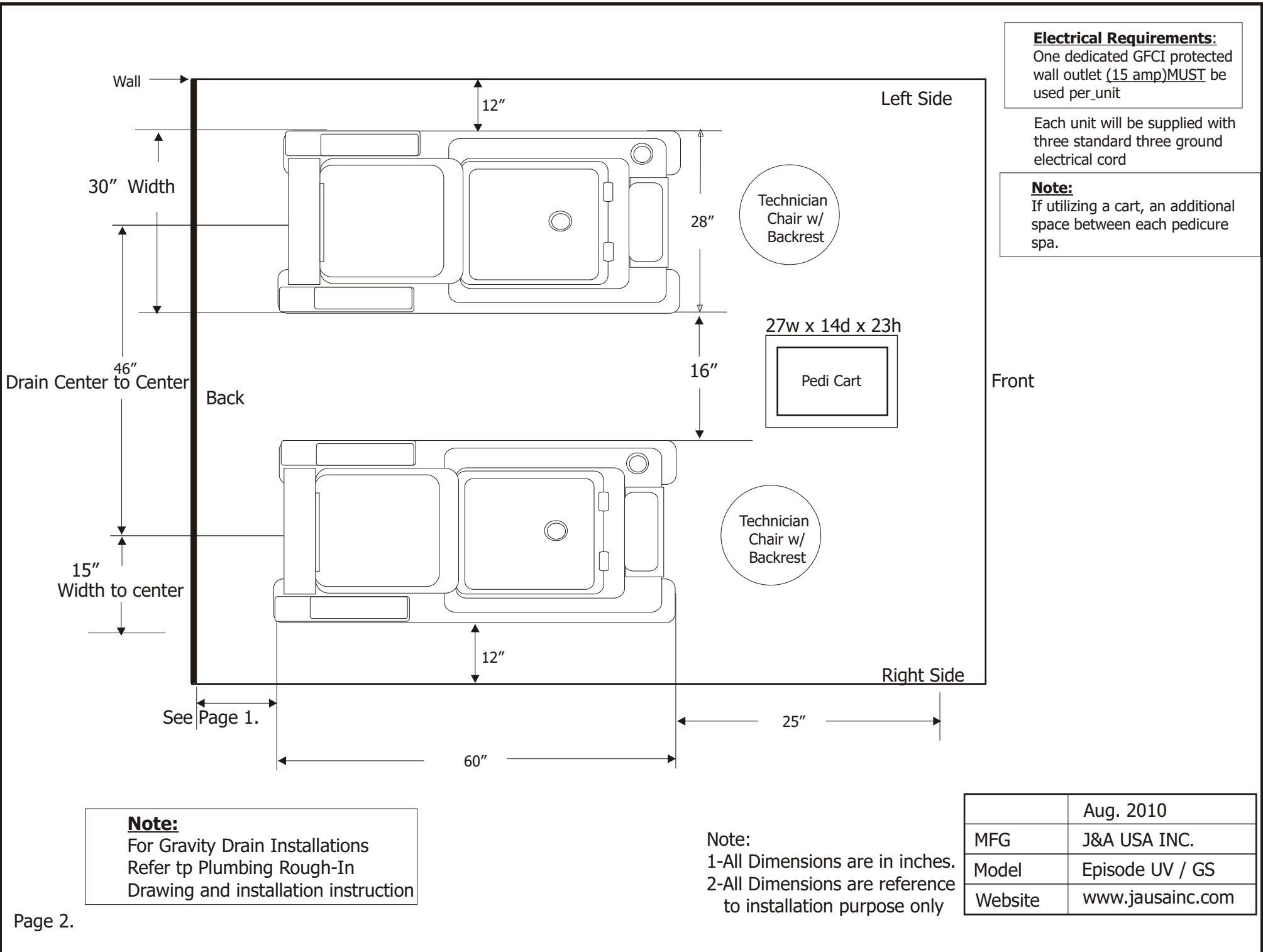
Note:

For Gravity Drain Installations
Refer to Plumbing Rough-In
Drawing and installation instruction

Note:

- 1-All Dimensions are in inches.
- 2-All Dimensions are reference to installation purpose only

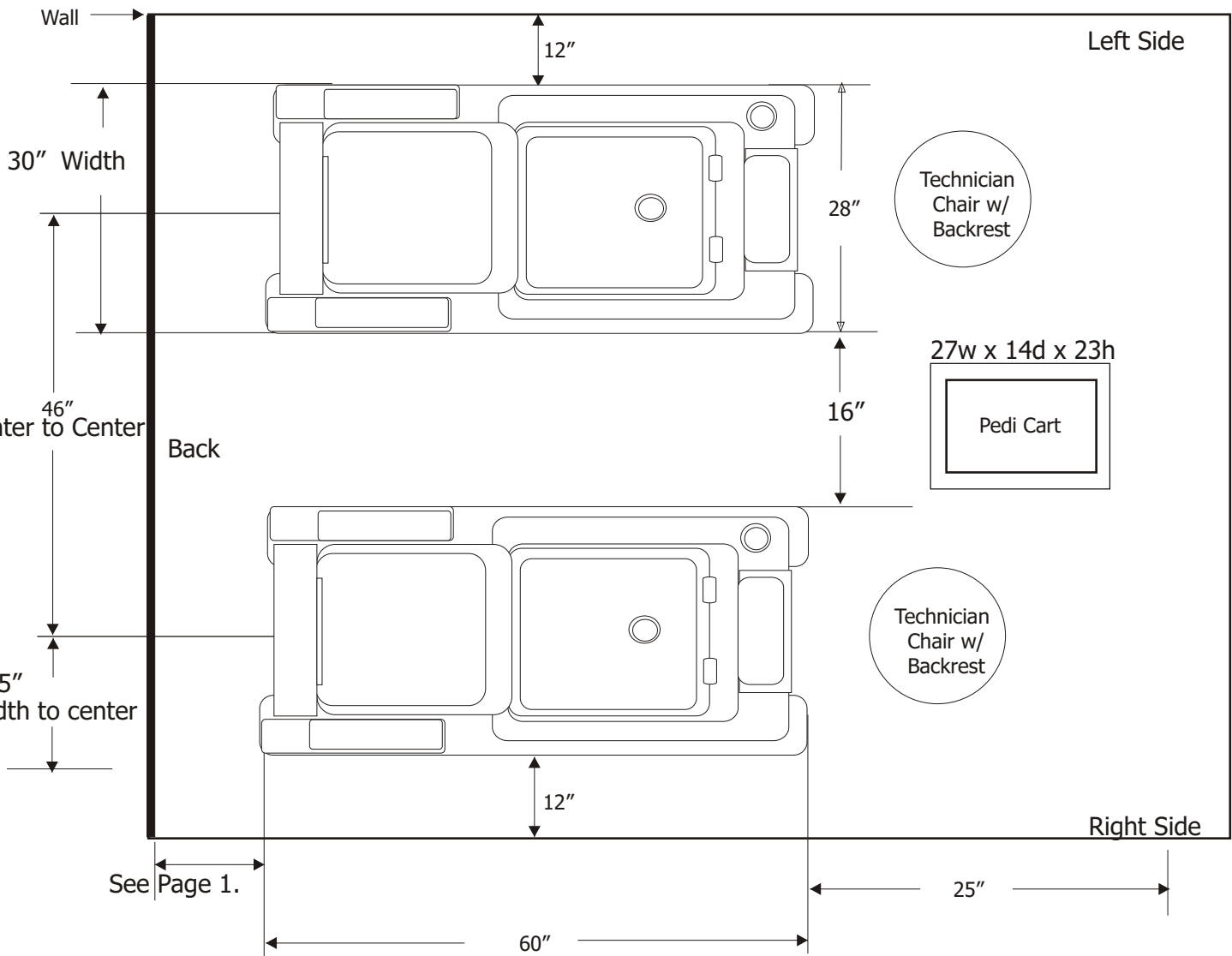
	Aug. 2010
MFG	J&A USA INC.
Model	Episode UV / GS
Website	www.jausainc.com



Electrical Requirements:
 One dedicated GFCI protected wall outlet (15 amp) MUST be used per unit

Each unit will be supplied with three standard three ground electrical cord

Note:
 If utilizing a cart, an additional space between each pedicure spa.



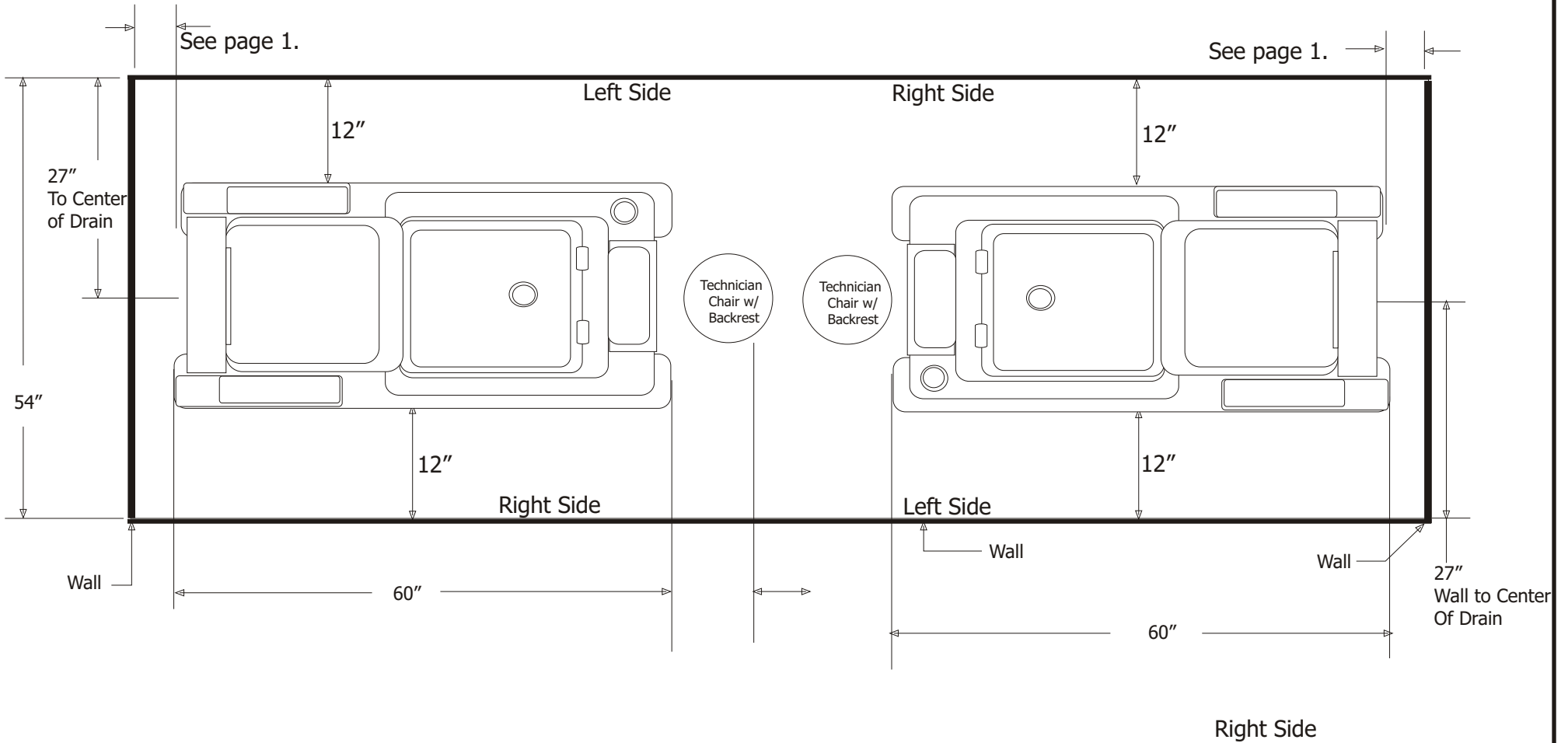
Note:
 For Gravity Drain Installations Refer to Plumbing Rough-In Drawing and installation instruction

Note:
 1-All Dimensions are in inches.
 2-All Dimensions are reference to installation purpose only

	Aug. 2010
MFG	J&A USA INC.
Model	Episode UV / GS
Website	www.jausainc.com

Electrical Requirements:
 One dedicated GFCI protected wall outlet (15 amp) MUST be used per unit

Each unit will be supplied with standard three ground electrical cord

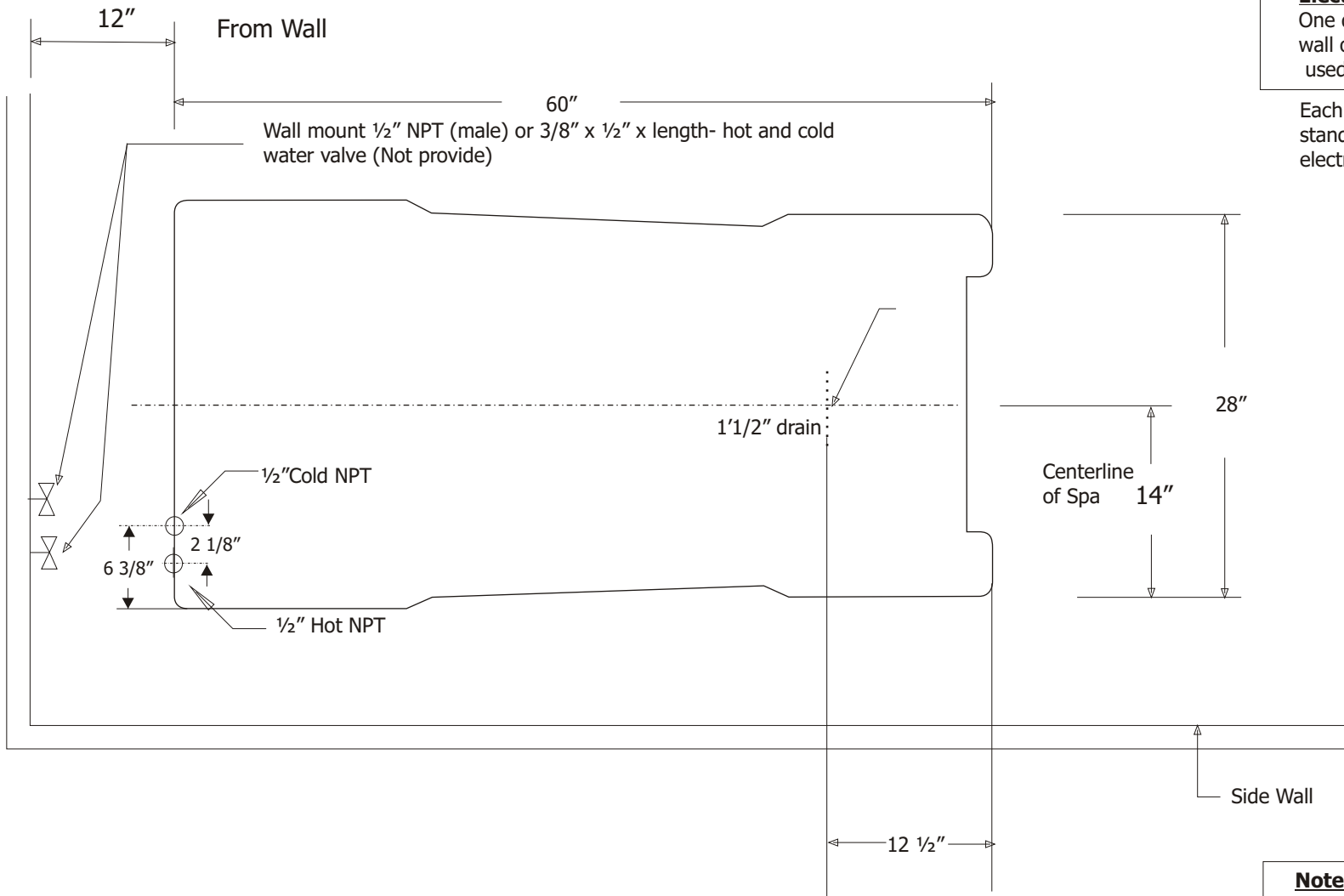


Note:
 For Gravity Drain Installations
 Refer to Plumbing Rough-In
 Drawing and installation instruction

Note:
 1-All Dimensions are in inches.
 2-All Dimensions are reference
 to installation purpose only

	Aug 2010
MFG	J&A USA INC.
Model	Episode UV / GS
Website	www.jausainc.com

Spa Footprint



Electrical Requirements:
 One dedicated GFCI protected wall outlet (15 amp) MUST be used per unit

Each unit will be supplied with standard three ground electrical cord

Note:
 For multiple units side by side lay out / see dimensions

Plumbing Rough - In (Floor Application)

Note: P-Trap Required

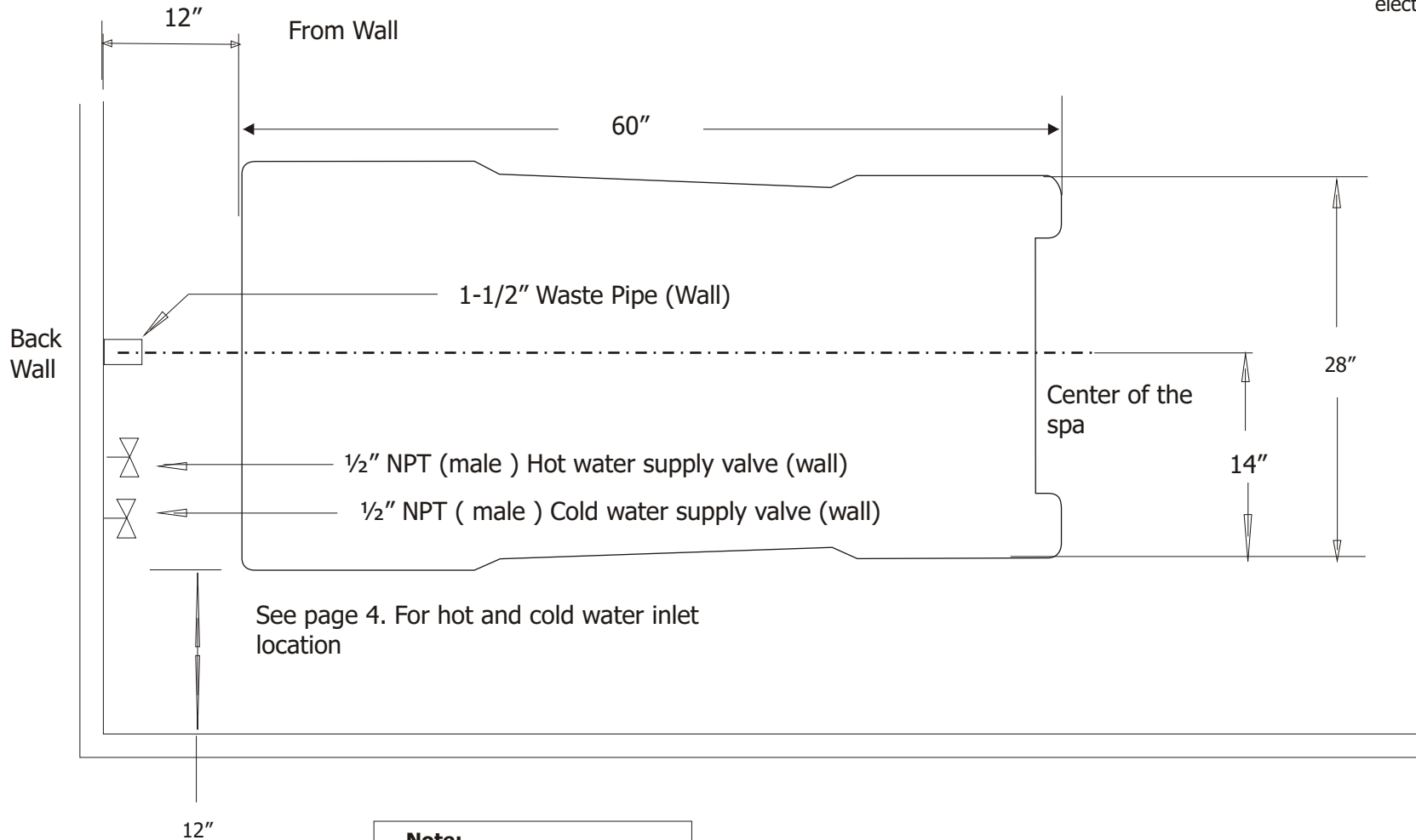
Note:
 1-All Dimensions are in inches.
 2-All Dimensions are reference to installation purpose only

	Aug 2010
MFG	J&A USA INC.
Model	LENOX
Website	www.jausainc.com

Plumbing Rough - In (Back Wall Application)

Electrical Requirements:
 One dedicated GFCI protected wall outlet (15 amp) **MUST** be used per unit

Each unit will be supplied with standard three ground electrical cord



Note:
 For multiple units side by side lay out / see dimensions

Note:
 1-All Dimensions are in inches.
 2-All Dimensions are reference to installation purpose only

	Aug 2010
MFG	J&A USA INC.
Model	Episode UV / GS
Website	www.jausainc.com