

PERLA

WHIRLPOOL PEDICURE SPA

User's Manual

Please read user's manual thoroughly
Before using pedicure spa

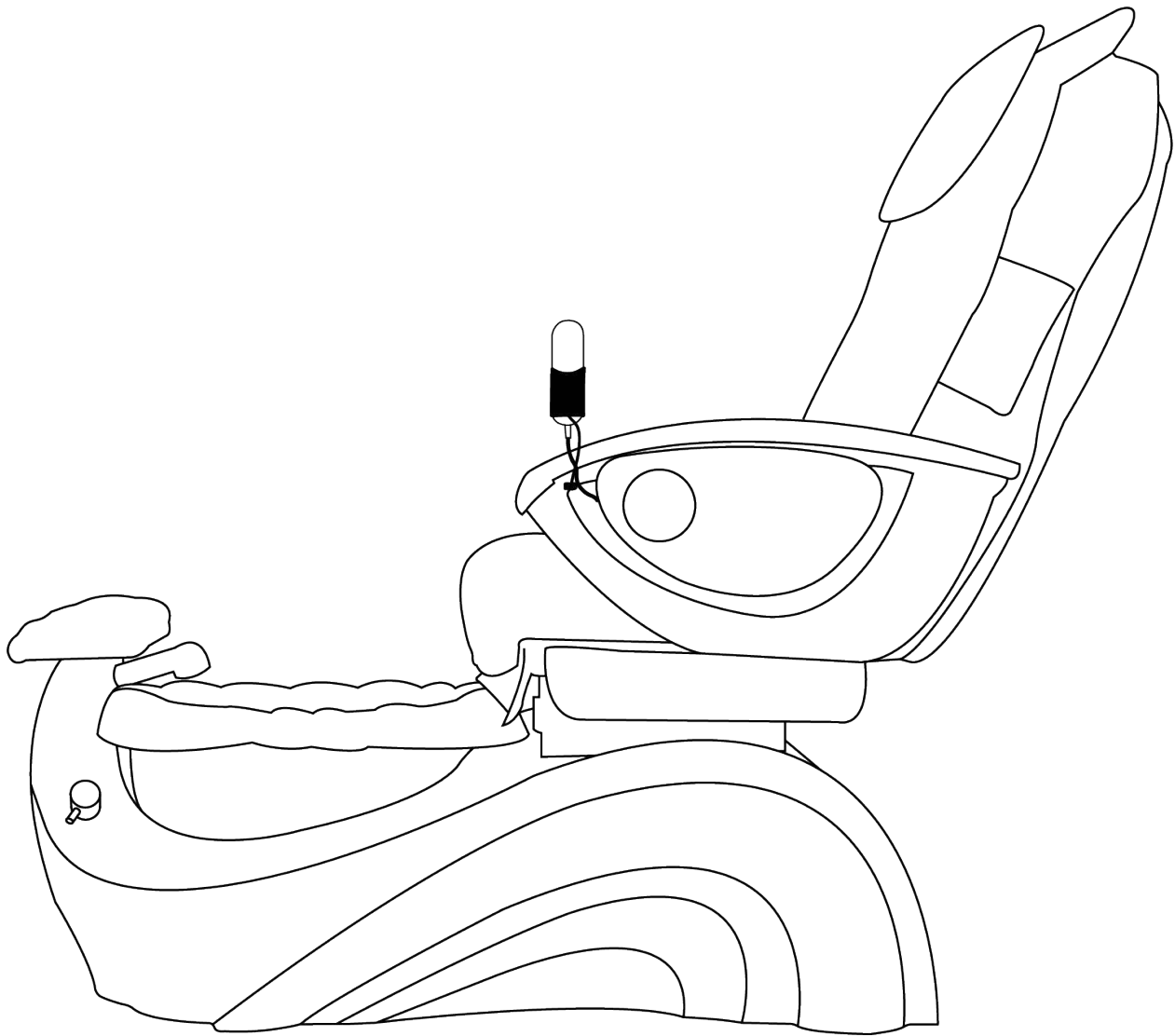


Table of Contents

Introduction & Safety Pg. 3

Important Consideration Pg. 4

Identify Parts & DescriptionPg. 5

Specification & Dimensions..... Pg. 6

Installation Pg. 7 - 8

Spa Tub Operation Pg. 9

Chair position

Maintenance

Shiatsulogic Chair instruction

User Recommendation



Thank you for choosing MAYAKOBA Perla Pedicure spa. MAYAKOBA is an AYC's registered trademark for elegant and well-designed pedicure spa chairs and other nail salon furnishings. We strive to bring quality yet afford-ability and dependability when properly use.

PLEASE TAKE TIME TO READ THIS MANUAL THOROUGHLY BEFORE USE. If you have any questions or concerning with our pedicure spa, please contact our customer service and technical support at 972-926-6488 ext 2, Monday through Friday 9AM – 5PM or email us at service@aycllc.com.

Important Requirements

The MFG requires that you contact your local, licensed plumber and licensed electrician to install your new spa. Installation MUST be following all local and state building codes. Your pedicure spa can not operate efficiently or safely unless it is provided with adequate electrical power, sufficient water pressure, proper water temperature, and required drainage capabilities. Contact your local building inspector for information and local code compliance procedure that need to be followed when having your new pedicure spa installed. Subsequent inspections and approvals that may be required are the responsibility of the purchaser.

Shipment Inspection

Thoroughly inspect each shipment immediately upon arrival. It is very important that you notify the driver directly and notation should be on the face of the delivery receipt. Failure to note damage on the delivery receipt may prevent any claims you may have against the carrier.

If concealed loss or damage is found, you MUST notify the carrier at once and request an inspection. DO NOT DISCARD THE SHIPPING CARTON. If you give the carrier a clear receipt for goods that have been damaged in transit, you do so at your own risk and expense.

Precaution

- DO NOT stand on the inside of the basin or on the spa.
- Excessive water temperature is dangerous and should be checked before use. Maximum water temperature should not exceed 100F (38C) degree.
- Always enter and exit the spa slowly and carefully.
- Never bring or operate any electrical device near pedicure spa.
- The unit has a weight capacity of 300 lbs.
- Please do not allow small children to use or play around the chair.

Health Warning

Individuals whose feet or legs are inflamed or have open wounds should not be allowed to use the pedicure spa at any time. The technician should advise clients to consult their physician before using the spa if there is any sign of fungal infection, swelling, fracture, or persistent pain. In some cases, diabetics may experience improved circulation in their fee, but should first consult their physician prior to receiving a pedicure.

If the client experiences any pain or discomfort, discontinue the use of the pedicure spa immediately.

Importance Considerations

Electrical Service

110V, 60Hz, 15Amp GFCI protected grounded circuit MUST be used to supply power each individual pedicure spa. And the main circuit breaker MUST be at 25Amp. For maximum of two units per each electrical outlet.

Water pressure

- To fill the basin correctly up to level, normal water pressure of 30 to 80 P.S.I is required.
- Maximum Pressure: 150 psi (10 bars)
- Minimum Pressure: 10 psi (69kPa)

Water temperature

- The hot water supply temperature must not exceed 140F. Adjust your hot water accordingly. For hot and cold water supply fittings and drain fittings location, see below diagram. Carefully connect the water supply line to the appropriate fittings located on the rear of the pedicure spa.
- Working Temperature: 33F to 140F constant; intermittent to 180f (0.6C to 60C sustained; intermittent to 82.2C)
- Recommended Flow: 1.5 gpm

**** Backflow Preventor/Vacuum Breaker****

Due to differences in construction layout of salons and city plumbing codes, please contact your local plumber to fulfill your needs as required. Backflow preventers are not supplied by the pedicure spa manufacturer. The Plumber MUST provide Backflow Preventor according to building code requirement.

Drain Facilities

The pedicure spa Drain must meet local plumbing codes. Check valve for Drain (not Provided) Must be installed by a licensed plumber.

UL LISTED / CE CERTIFIED

Compliance with following Code (s): Uniform Plumbing Code, National Plumbing Code of Canada and international Plumbing Code. Also, Compliance with following Standard (s): ASME A112.18.3M / A112.18.1M, CSA B125, NSF / ANSI 61

ANSI - American National Institute, ASME - American Society of Mechanical Engineers, CSA - Canadian Standard Association IAPMO - International Association of Plumbing and Mechanical Officials, UL - Underwriters Laboratory

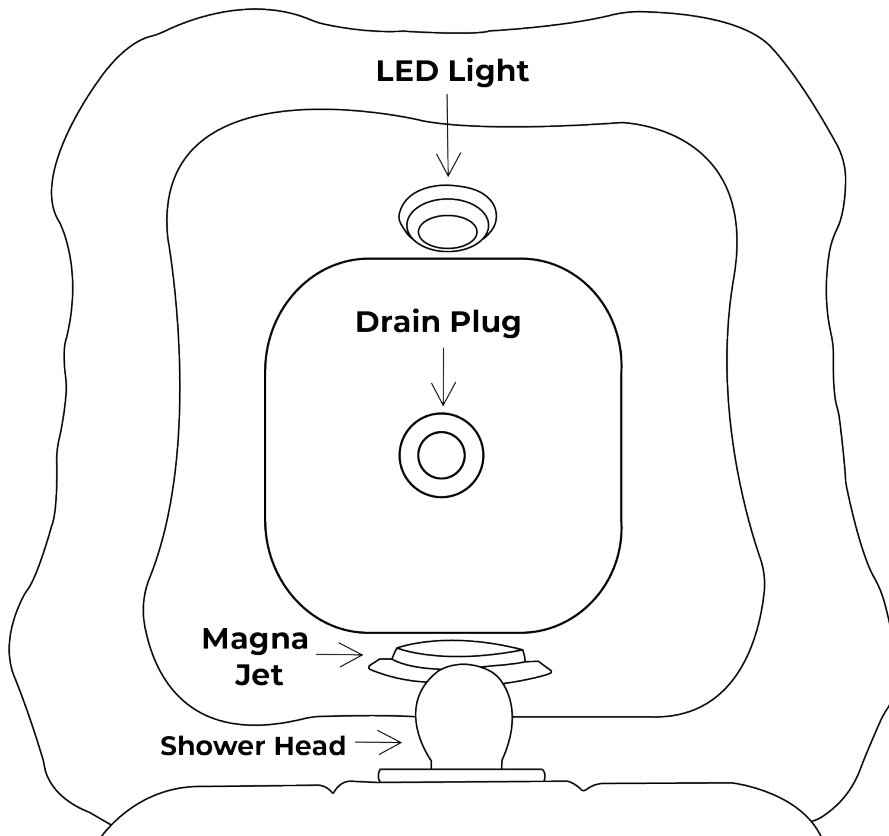
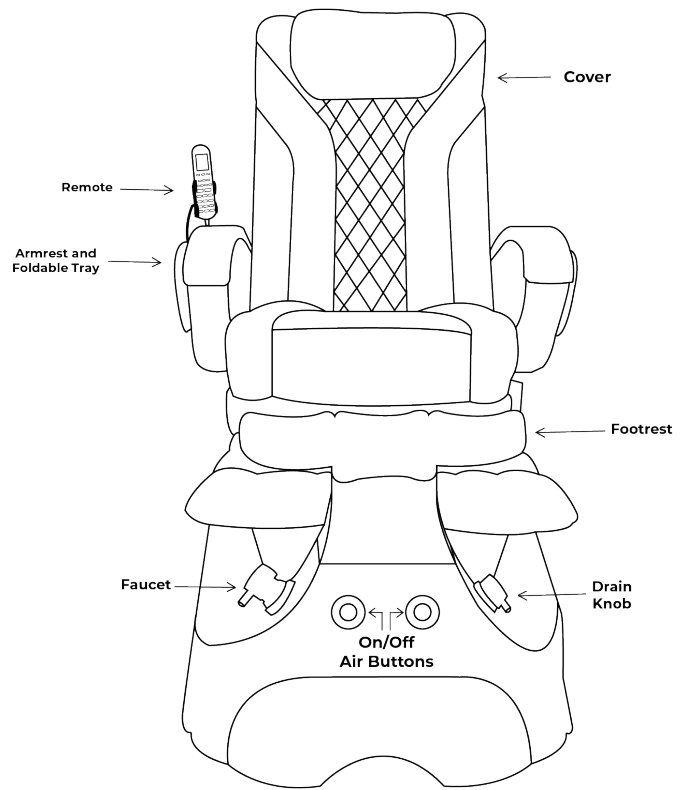
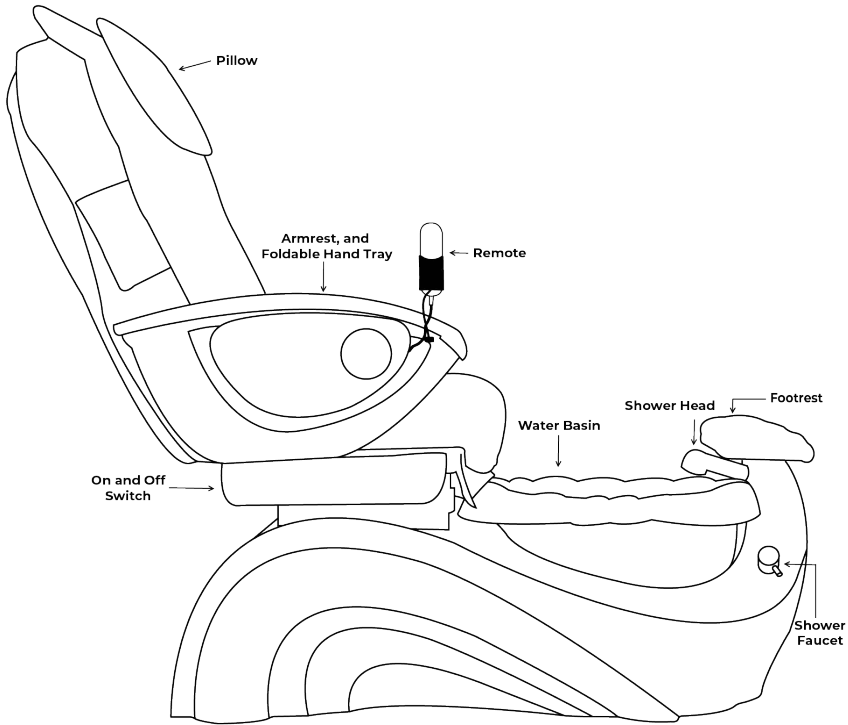
All AYC pedicure spa chair has been compliance with requirements for Whirlpool bath appliances contained in ASME / ANSI A122.19.7M-1995, CSA C22.2 No. 68-69

Installation Summary

The installation must comply with local, state, and federal building, plumbing and electrical codes, where applicable. A licensed plumber should complete the plumbing of the pedicure spa.

Note: Failure to comply with federal, state, or local codes and ordinances will result in warranty being nullified and void.

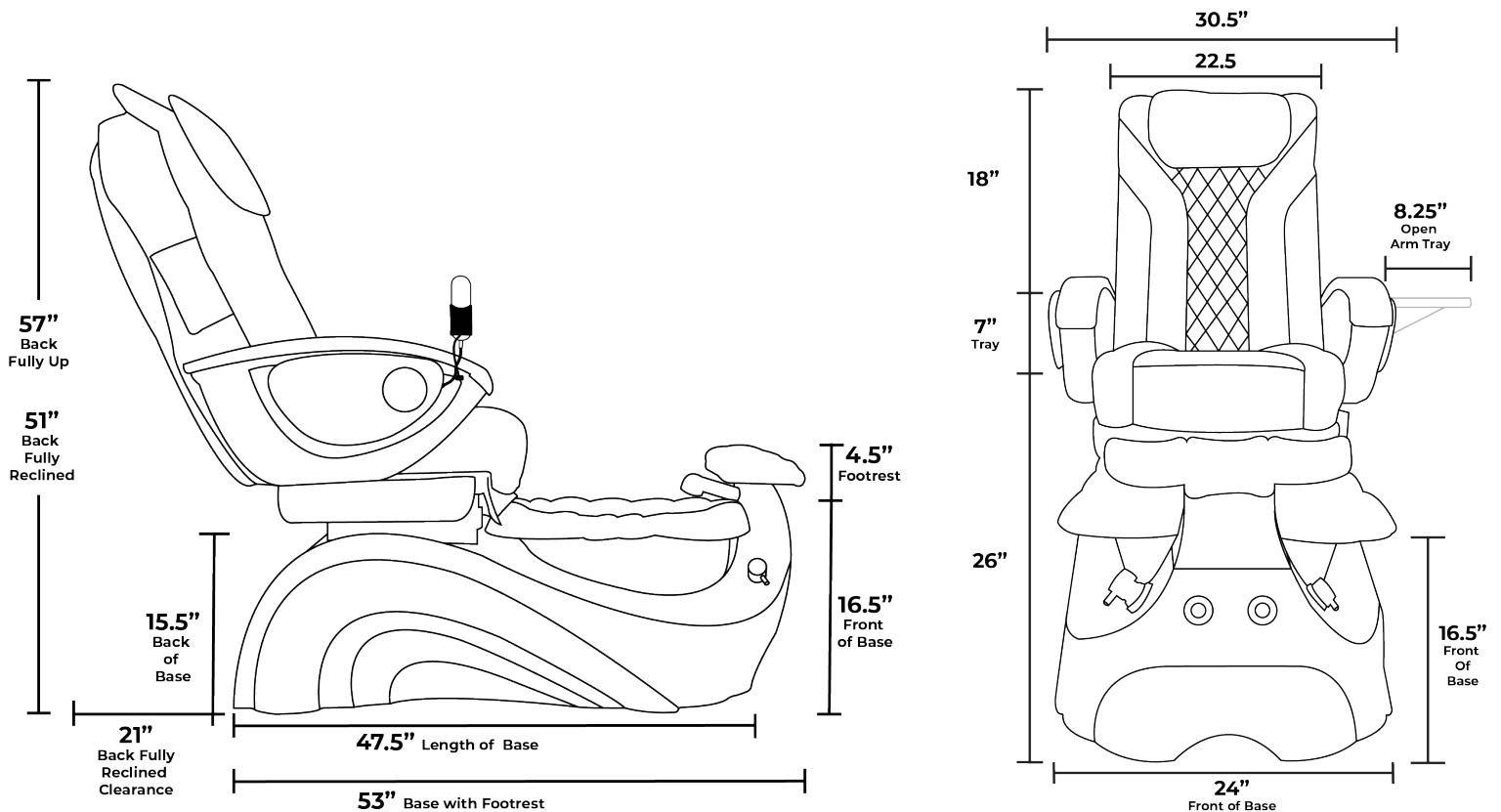
Identify Parts & Description



Specification

Dimension & Weight (Shipping)	Pedicure Spa Base & Massage Chair Top	60" x 40" x 46"	281 lbs.
Dimension & Weight (Net)	Pedicure Spa Base & Massage Chair Top		230 lbs.
Capacity of Tub		4.5 Gallons (approximate)	
Switch		On/Off Air Activated Switch	
Power Source	Dedicated 15Amp Wall Outlet Required		
	Pipe-less Jet motor	120V, 0.5 A, 60Hz	
	Discharge Pump (Optional)	115V, 0.95 A. 60Hz	
	Massage System	120V, 60Hz	
Plumbing Source	Hot Water	3/8"	
	Cold Water	3/8"	
	Drain	1" (See Plumbing Instruction)	
Warranty	1 Year (See Warranty for covered parts)		

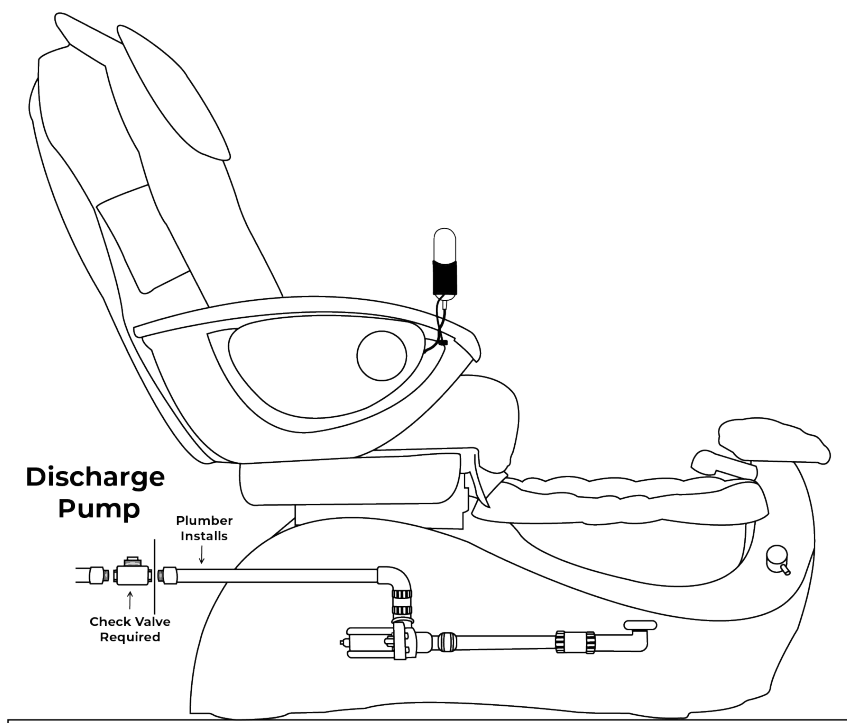
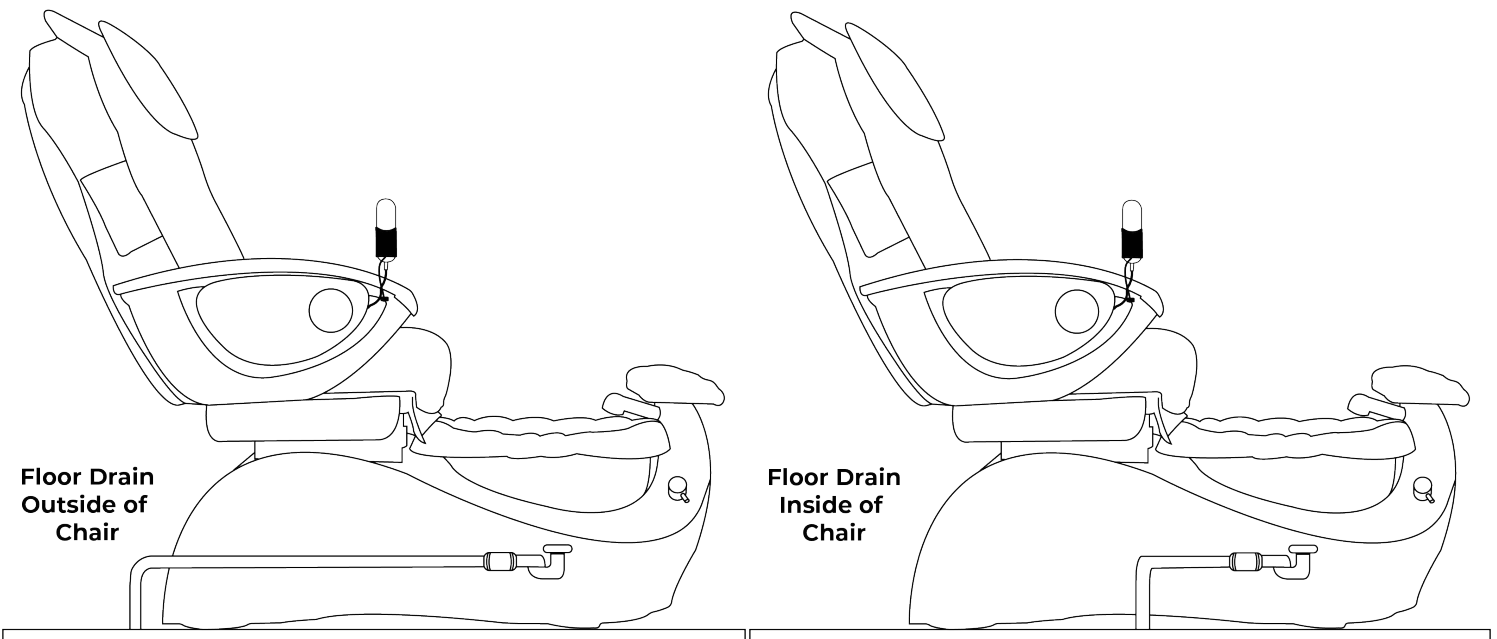
Dimensions



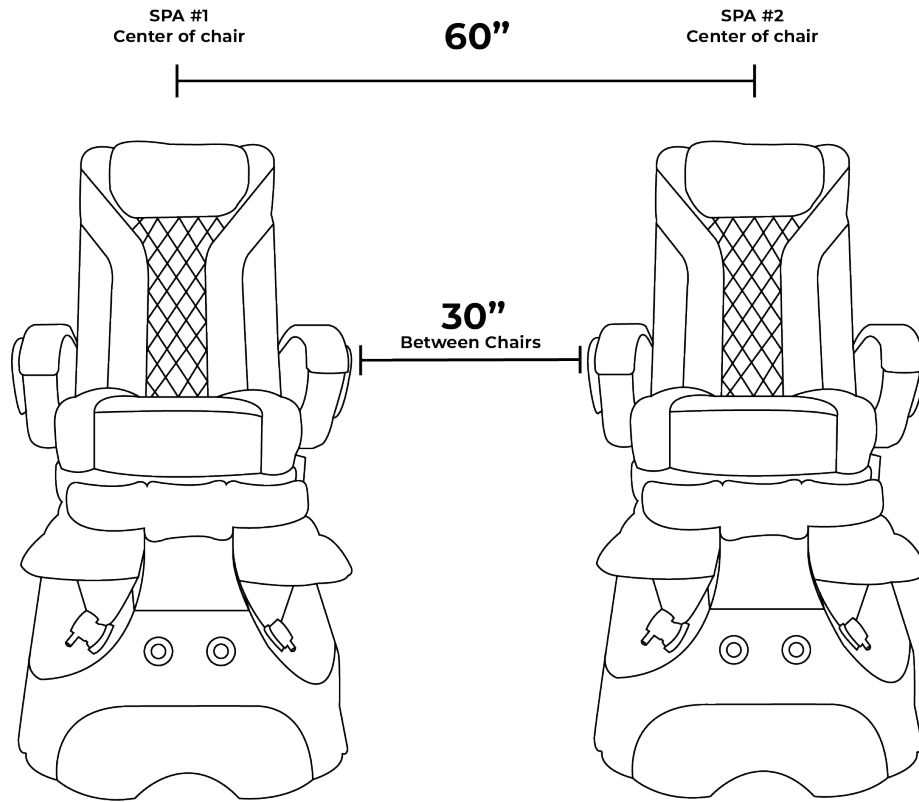
Installation

- Floor (Gravity) Drain (No Discharge Pump): connect 1" PVC pipe or 1" flex hose from P-Trap underneath the drain assembly to the floor drain.
- Wall Drain (Discharge Pump Required): the plumbing requires 2 - 3 ft of 3/4" PVC pipe and 2 of 90° 3/4" elbow connectors to go up and over the back of the pedicure base, which then goes to your drain.

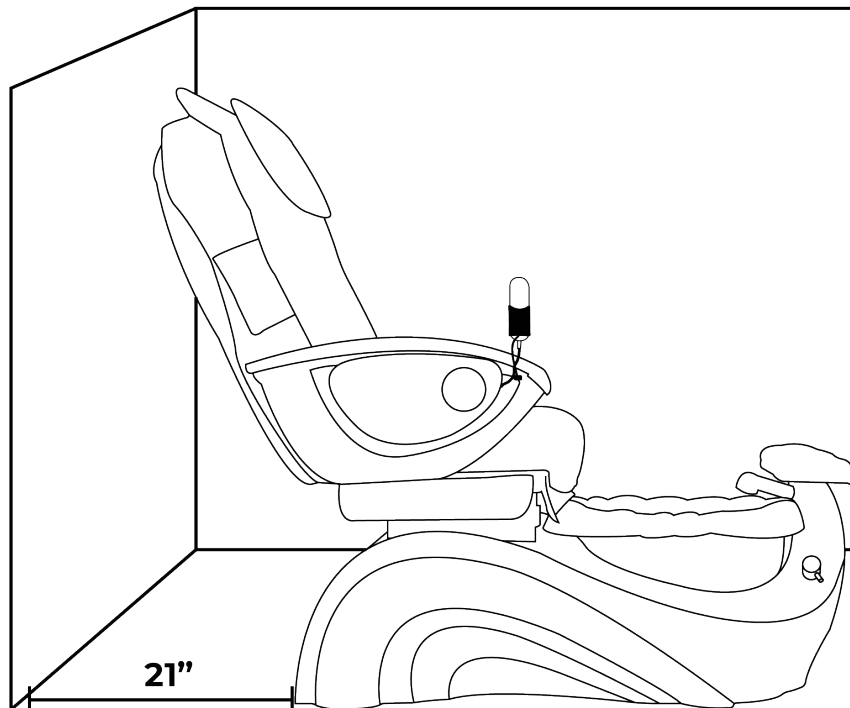
Note: Due to differences in construction layout of salons and city plumbing codes, PVC pipes & elbow connectors are not included, your certified plumber will need to provide them when doing the installation. The pedicure spa installation must comply with all plumbing and electrical codes. A licensed plumber and licensed electrician must complete the applicable connections of the pedicure spa.



Spa Recommended Clearance



Wall Clearance



NOTE: Both back of chair and seat are adjustable. When both are at maximum positions, it must allow 18" (44cm) from back wall to spa chair. This minimum distance assures unobstructed recline. Failure to follow this required dimensions might damage your spa components and plumbing connections, which will void your warranty.

Spa Tub Operation

Filling Water

- Place the drain plug into the drain from the top (the drain plug may need to be adjusted so that it forms a tight seal around the drain).
- Close the drain plug by turning the drain knob counterclockwise.
- Lift the single lever hot/cold mixer faucet to fill the tub to the water level above the whirlpool jet at least 1 inch. Fill the tub until the pipeless jet is completely submerged in water
- If the water level decreases during the operation of the whirlpool, simply add more water.

Starting Whirlpool

- Make sure magnet jet head is well attached to the jet motor
- Press the whirlpool jet button located on the right side of the front panel to turn on and off.

Draining

- Turn the drain knob clockwise to open the drain plug to drain out water.
- Press the drain button located on the left side of the front panel to turn on/off the discharge pump (if unit is equipped with one).
- **Warning:** Do NOT turn on the drain pump unless adequate water is in the tub. THE WARRANTY IS VOID IF THE PUMP HAS BEEN RUNNING DRY.

Maintenance