

RELAX SUITE

ORIGINAL INSTRUCTIONS



CE

INSTRUCTION FOR USE	pag. 3
ISTRUZIONI PER L'USO	pag. 13
NOTICE D'UTILISATION	pag. 23
BEDIENUNGSANLEITUNG	seite. 33

EN**Congratulation for having chosen an equipment LEMI produced by Brusaferrri & C.**

This table has been designed and built using state of the art technologies and processes to guarantee the best reliability in the time and ensure maximum safety.

This table ensure the “relax” position for a proper blood circulation.

For a correct and safe operation of the table is essential to carefully read and observe what is indicated in this manual. All documentation accompanying the table – and in particular this manual – must be carefully preserved for future reference.

IT**Complimenti per aver scelto un’attrezzatura LEMI prodotta da Brusaferrri & C.**

Questo lettino è stato progettato e costruito utilizzando tecnologie e procedimenti allo stato dell’arte per garantirne la migliore affidabilità nel tempo ed assicurarne la massima sicurezza.

Questo lettino garantisce la posizione “relax” per una corretta circolazione sanguigna.

Per un corretto e sicuro funzionamento del lettino è indispensabile leggere attentamente ed osservare quanto indicato nel presente manuale. Tutta la documentazione di corredo del lettino - ed in particolar modo il presente manuale - deve essere accuratamente conservata per riferimenti futuri.

FR**Félicitations d’avoir choisi un équipement fabriqué par Brusaferrri & C.**

Cette table a été conçue et construite en utilisant des technologies et des procédés de qualité élevée afin de garantir la plus grande fiabilité à long terme et d’assurer la plus grande sécurité.

Cette table garantie la position “relax” pour la correcte circulation du sang.

Pour un bon fonctionnement du fauteuil il est indispensable de lire attentivement et de respecter les indications fournies par la présente notice. Toute la documentation fournie avec la table doit être soigneusement conservée pour utilisation ultérieure.

DE**Herzlichen Glückwunsch für eine Ausrüstung LEMI erzeugten von Brusaferrri & C. gewählt zu haben.**

Diese Liege wurde verwendend die modernster Technologien und Prozesse entwickelt und gebaut, um die beste Zuverlässigkeit in der Zeit und die maximale Sicherheit zu versichern.

Diese Tabelle stellt die “Entspannungs” -Position für eine ordnungsgemäße Durchblutung sicher.

Für einen korrekten und sicheren Betrieb der Liege ist es wichtig, was in diesem Handbuch angegeben sorgfältig zu lesen und beachten,. Die ganze Unterlagen geliefert mit der Liege – und insbesondere dieses Handbuch – es muss sorgfältig für die Zukunft erhalten bleiben.

EN- INSTRUCTION FOR USE

1.	INTRODUCTION	_____	pag. 4
2.	TRANSPORT AND INSTALLATION	_____	pag. 4
3.	ENVIRONMENTAL WORKING CONDITIONS AND STORAGE	_____	pag. 6
4.	PRELIMINARY CHECKS	_____	pag. 6
5.	DESCRIPTION OF THE TABLE	_____	pag. 7
6.	OPTIONS ON DEMAND	_____	pag. 7
7.	INSTRUCTION FOR USE	_____	pag. 8
8.	USE OF THE TABLE	_____	pag. 9
9.	MAINTENANCE	_____	pag. 9
10.	NOTICE TO OPERATORS AND RESIDUAL RISKS	_____	pag. 11
11.	SPARE PARTS	_____	pag. 11
12.	DISMANTLE	_____	pag. 11
13.	DISPOSAL OF OBSOLETE EQUIPMENT	_____	pag. 11
	DIMENSION	_____	pag. 12

1. INTRODUCTION



The successful and safe operation of the table is guaranteed only if it is used in accordance with the specifications in this manual and, in general, in the accompanying documentation; therefore it is essential to carefully read and keep all the relative documentation.

Although the table is equipped with active and passive safety features, not all risks can be avoided due to its incorrect use. You must always make sure that all users have fully understood the rules of use; the manufacturer declines any responsibility for damage to persons or property resulting from improper use of the device. Do not remove or damage the labels, notices and warnings placed on side of the table. In case you need to restore them, please contact the manufacturer.

The manufacturer Brusaferrri & C., declines any and every responsibility for failure to observe the rules of safety and prevention described in the various sections of this manual and for any damage caused by improper use. All works on the table (maintenance, adjustments, repairs, cleaning) must be carried out by suitably trained personnel and in accordance with what is indicated in this manual.

1.1. Use purpose

This table ensure the “relax” position for a proper blood circulation.



WARNING! It is forbidden any use of the table other than that described in this manual. Brusaferrri & C. declines any responsibility for malfunctions or damages to persons or property due to uses other than those specified in this manual. The table should be used only by personnel who are informed about the use mode, operation and its safety equipment.

1.2. Preservation of the manual

This operating manual should be kept for future reference. We recommend:

- Keep the manual in a place accessible and known to all operators, protected from moisture and heat and protected from the direct sun beams:
- Use the manual in order not to damage any part of the content: do not remove, tear or modify any part of the manual.

In the case of sale or transfer of the table to another person, this manual and its annexes should be delivered intact to the new users.



WARNING! Please read this operation manual before using the table. Anyone who uses the table should be properly informed on the parts of this manual relevant to the operations to be performed.

2. TRANSPORT AND INSTALLATION

2.1. Handling and removal from the packaging

The table can be raised and moved manually by two or four people, taking it exclusively from the 4 support feet.



The weight of the table is equal to 100 kg.

The table is shipped packed in a carton box.

Open the box so you can freely raise the table; remove it from the packaging, taking it from the 4 feet and pull it upwards.



WARNING! It is strictly forbidden to remove the table by lifting it from the top (mattress).



WARNING! Do not use knives or box cutters to open the box so as not to risk damaging the table and in particular the pudding.

2.2. Flooring

The floor on which the table will be placed must be solid, smooth, horizontal and adequate to support its weight and ensure the stability.

2.3. Lighting

The user must ensure that the lighting of the work areas is sufficient to allow a good view of the operations and all elements of the table; the level of lighting should be in accordance with the UNI EN 12464-1:2004; in particular should be avoided shadows and annoying glare.

2.4. Positioning

The position of the table compared to fixed obstacles must be such as to allow the easy passage for the use and maintenance; in particular, the minimum space to allow the passage of persons shall be equal to 650 mm (in accordance with EN 547-1:1996). To prevent crushing of the whole body the minimum distance between the leg rest fully stretched and the back completely lowered and fixed obstacles must be equal to 500 mm.

2.5. Power supply

The system of power supply must have voltage and frequency equal to the rated voltage and frequency of the power supply of the device and be appropriate to the installed capacity, as indicated on the identification plate of the table.

Voltage	230/110 V
Frequency	50/60 Hz
Absorption	1A max
Transformer	Primary 230V - 110V Secondary 25V 120VA

The power supply must be supplied to the unit by a line:

- Protected against overcurrent by an automatic circuit breaker (circuit breaker) or fuses, properly sized; the operating current of the protections must be as low as possible taking into consideration the maximum absorption of the device;
- Equipped with a device sensitive to insulation failure (differential) with operating current low enough; this device must be positioned downstream of the overcurrent protective device (or be integrated with it); Having cables with section suitable for the power absorbed by the appliance.



The table must also be connected to an external unipotential protection circuit (grounding) adequate.

2.6. Connections

Insert the plug into a suitable power outlet.

If there is incompatibility between the socket and the plug of the table, replace the socket with a suitable type by professionally qualified personnel.



Pull the plug from the power outlet grasping the plug, not the cable.



WARNING! It is strongly recommended to insert the plug into a single outlet exclusively reserved to the device. We do not recommend the use of multiple sockets (power strip), adapters and patch cords. The cable must not be bent.



3. ENVIRONMENTAL WORKING CONDITIONS AND STORAGE

The table has been designed and built to operate in a closed and dry room. The ambient operating condition are:

■ Temperature: 5° ÷ 40° C

■ Humidity: 30% ÷ 95% without condensation.

If the environmental conditions are particularly critical it is advisable to provide the room with an adequate air conditioning system to bring the humidity and temperature values within acceptable limits.



WARNING! The table was not designed to work in environments with explosive atmospheres, in the presence of fine dust or corrosive gases, in the presence of acids, corrosive agents, salt; it is also not suitable for operation in the presence of ionizing and non-ionizing radiation (X-rays, laser, microwaves, ultraviolet rays).



WARNING! Do not expose the table to an excessively humid environment. If the table gets wet, remove the plug from the outlet and have it checked by an Authorized Service Centre.



STORAGE! For the correct functioning of the electrical equipment the storage of the table must be at a temperature between -25° C and +55° C, and only for short periods not exceeding 24 hours, to +70°C. The table has no special requirements for storage, provided that it takes place in a closed and dry rooms; this condition should also be ensured during all phases of transport.

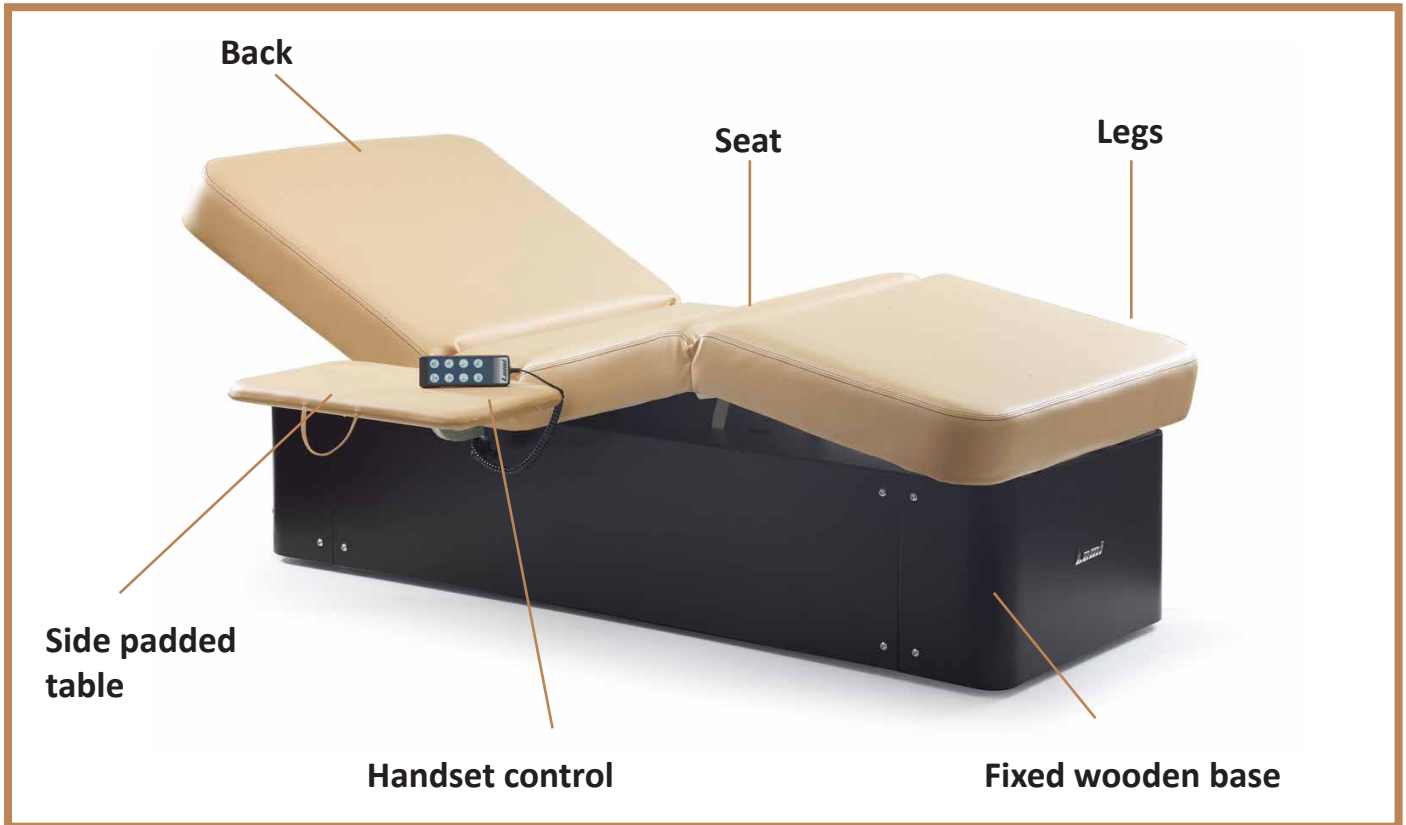
4. PRELIMINARY CHECK

Before the setting at work of the table, make sure that:

- There is no damage to the equipment due to the phases of transport and handling; eventually proceed to solve these problems by contacting Brusaferrri & C.;
- All packaging components have been removed;
- Check that the supply voltage is equal to the rated one as defined in § 2.5. Power Supply;
- Check the efficiency of the operation of the control equipment.

Before using the table for the first time, make sure qualified personnel carry out some tests in safety conditions.

5. DESCRIPTION OF THE TABLE



6. OPTION ON DEMAND

6.1. Heating

OFF = heating off (led: ON)

ON = heating on (led: ON + LOW)

LOW = lower temperature (led: ON + LOW)

HIGH = higher temperature (led: ON + HIGH)

2H = heating is on for 2 hours (LOW or HIGH), then turn off automatically.

When activated, the led blinks till the end of the second hour.

You can stop heating in any time pressing OFF button.

Usually, heating stops automatically (LOW or HIGH temperature) after 1 hour from switch on.



ATTENTION! It is absolutely necessary TURN OFF THE HEATING (OFF) WHEN THE TABLE IS NOT USED AND AT THE END OF EACH WORKING DAY.

The heating works with the pressure of the body, so we do not feel any sensation of heat if it is not stressed by the weight of a body. It is recommended to always leave a weight laid (for example towels or magazines) to maintain the minimum temperature.

6.2. Bluetooth Sound kit



Press the button on the right side of your table in order to activate the Bluetooth. Search for the Bluetooth devices with your smartphone and select the preferred track to be played. Sound will come from two speakers placed in the backrest of the table.

6.3. Kit Chromo

If the table was equipped with chromotherapy strips, consult the instruction manual for the use of the remote control chrome.



7. INSTRUCTION FOR USE

7.1. Operator

The table is controlled by an operator through the the hand control; the operator must position themselves so as to have complete view of the controlled parts and of the patient.



WARNING! During the functioning of the table the operator should always remain in the vicinity of the controls; it is forbidden to leave the table unattended during its operation.



Operators should pay attention to avoid creating potentially dangerous situations for their own or other's safety.



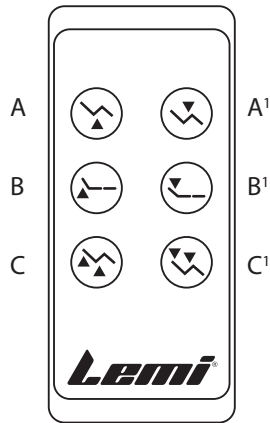
All the people who work on the table must be properly trained on the correct methods of work and informed about its proper functioning. They also need to be aware of the parts of this documentation relevant to their work.

7.2. Use of mattress

In order to ensure hygiene and safety to your patients and ensure long life of the mattress, we recommend you always cover it with a towel/bed cover and disposable sheets of cartene before starting any treatment. Both the operator and the patient should not wear rings, necklaces, bracelets, watches or other objects that may damage the mattress.

7.3. Controls

The table is controlled by the hand control. All controls are maintained action, that is releasing the control button the motion stops.



HANDSET CONTROL

Push-button A: Legs Up

Push-button A1: Legs Down

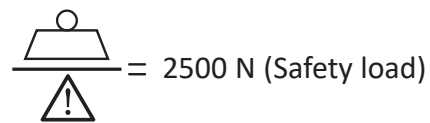
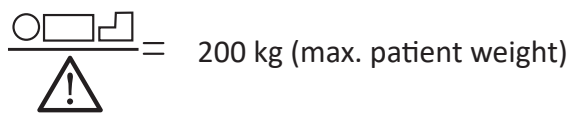
Push-button B: Back Up

Push-button B1: Back Down

Push-button C: Trendelenburg Up

Push-button C1: Trendelenburg Down

8. USE OF THE TABLE

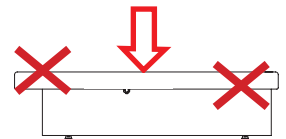


Only one person can sit up on the table; the person must go up/down when the table is in the basic position going up on the seat.



WARNING! Stretch out on the table always sitting properly in the central part of the seat.

Do not sit or lean on the side of the feet or of the head or on the side padded table.



WARNING! The limbs of the patient must always be on the table. The operator must always inform the patient when he moves the table.



WARNING! Be careful to make sure that the table or its electrical parts are not wet and that liquids become not stagnant on the table itself; immediately wipe up any liquids – including physiological liquids of the patient – which may end up on the table.



To avoid shock hazard, do not connect or disconnect the power plug with wet hands. Do not use the table barefoot.

9. MAINTENANCE

The table has been designed and constructed so as to reduce as much as possible the necessary maintenance and ensure proper functioning over the years without any problems.

During any intervention on the table, it is recommended to follow the instructions given in this section.



WARNING! All interventions on the table must be carried out by competent and trained personnel on the methods to operate correctly and safety. Do not make any action on the table moving, and always check that the plug connecting to power supply is disconnected; bring the power plug next to you during the execution of the intervention on the table so you can check at any time the actual separation.

9.1. General Checks

Constantly check the general condition of the table: the integrity of the protections, the electrical equipment and the condition of the pads.



WARNING! Do not use the table if any component is found to be not perfectly intact or in service. In this case, put the table out of service by disconnecting the power plug immediately and contact an Authorized Service Centre.

9.2. Extraordinary Maintenance

Any extraordinary maintenance must be performed by qualified personnel of the technical service Brusaferrì & C. or Service Centre authorized by the manufacturer.

Information about the Authorized Service Centre to which you can turn, can be obtained directly from the manufacturer Brusaferrì & C srl – phone 0374/363068-69 – mail: service@lemigroup.it

For a correct and quickly resolution of the problem, it is necessary to communicate the model and the serial number of the table and the description of the defect, or what are the visible problems, and under what condition it occurs. The broken table, if under warranty, must be sent to the Service Centre together with the certificate of guarantee, transport charges must be paid by the purchaser.



WARNING! Any form of warranty expires if interventions are carried out on the table by someone not authorized by Brusaferrì & C.

9.3. Authorized Personnel

Repairs and maintenance of the table can be carried out exclusively by competent personnel, that is of Brusaferrì & C. or authorized by it. Information on the staff to contact for possible interventions can be obtained directly from Brusaferrì & C.

9.4. Cleaning

Each time you make a treatment, always cover the mattress with towels or disposable towels before to let lie down the patient (See §7.2. Use of the mattress).



Pay particular attention to the jeans that can stain the covering without any possibility of being removed.



Clean the table before each use, paying particular attention to remove all traces of physiological fluids of the previous patient.

To clean the table use a cloth and lukewarm water (if necessary diluted neutral detergent). If necessary, use a non-aggressive disinfectant, then wipe off with a clean dry cloth.



Do not use products such as alcohol, acetone, bleach, paint thinner, gasoline.



WARNING! Be careful not to spray liquids on the electrical equipments, pedal/hand remote control strip and on the protections of the table. You must follow the handling directions given in the safety data sheets of the detergents used.

10. NOTICE TO OPERATORS AND RESIDUAL RISKS

During the movement of the table can create areas of potential risk :

- Crushing between moving parts of the mattress and the wood coating;
- Entanglement between the parts of the wood coating in movement;



WARNING! Do not bring the limbs near the elements in movements and in particular to the points described above.

11. SPARE PARTS

All the spare parts must be requested to Brusaferrri & C. that will supply them directly or will give you indications on the place where they can be found. Please note that any extraordinary maintenance must be performed by personnel of Brusaferrri & C. or authorized by it.



WARNING! Any form of warranty expires if they are used spare parts other than those originally fitted.

12. DISMANTLE



If the table becomes inoperative or is not to be used for an extended period of time, it is recommended to remove it from service and remove the plug from the socket. All materials used to manufacture the table are not toxic or hazardous to the health of operators, so they can be handled without special precautions. In case of disable of the table you should perform a separation of different materials for subsequent reuse or differentiated elimination. All electrical and electronic products should be separately disposed, using specific collection facilities appointed by the Government or the Local Authorities.

13. DISPOSAL OF OBSOLETE EQUIPMENT

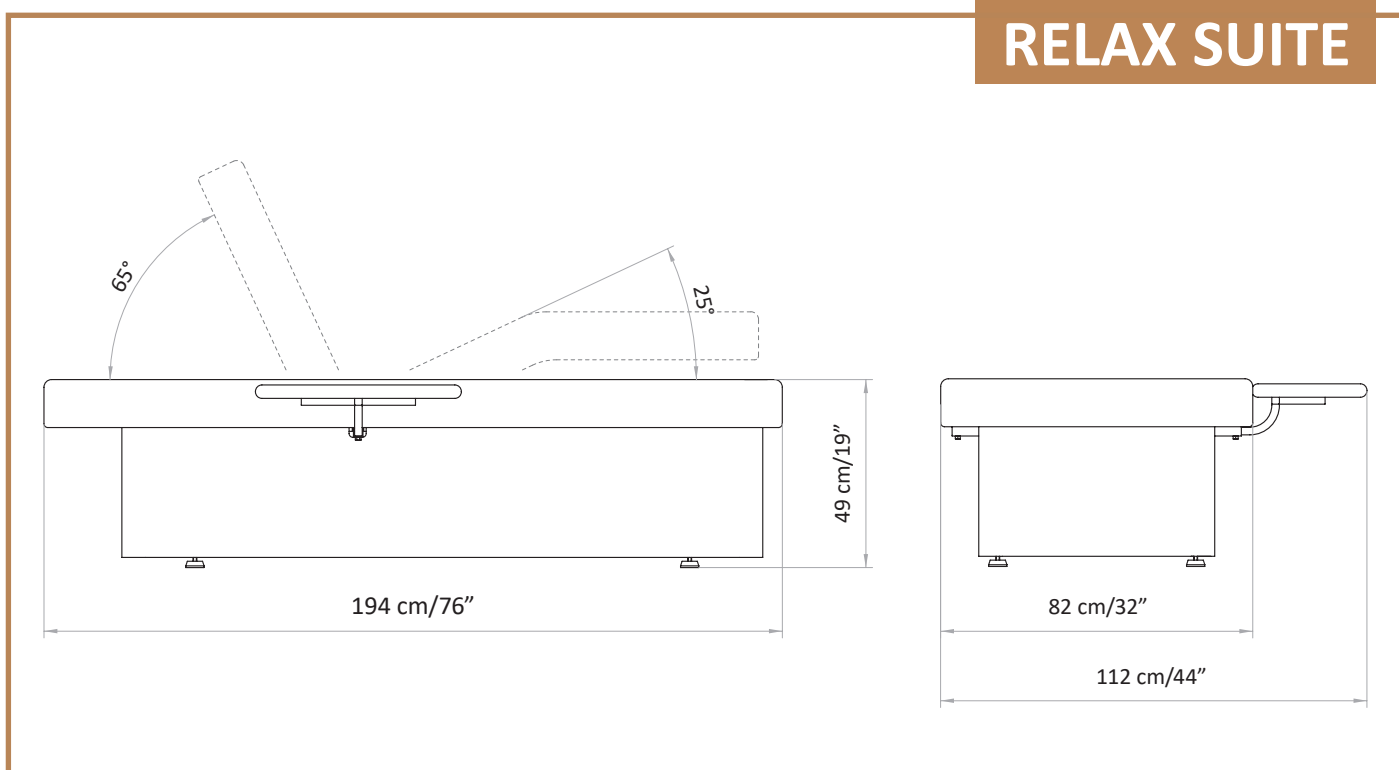


The correct disposal of the obsolete equipment will help to prevent potential negative effects on human health and the environment. For information, contact your Local Council or the Waste Disposal Service.

DIMENSIONS

Dimensions in cm and inches.

RELAX SUITE



1.	INTRODUZIONE	pag. 14
2.	TRASPORTO E INSTALLAZIONE	pag. 14
3.	CONDIZIONI DI FUNZIONAMENTO E IMMAGAZZINAMENTO	pag. 16
4.	VERIFICHE PRELIMINARI	pag. 16
5.	DESCRIZIONE DEL LETTO	pag. 17
6.	ACCESSORI A RICHIESTA	pag. 17
7.	MODALITA' D'USO	pag. 18
8.	UTILIZZO DEL LETTINO	pag. 19
9.	MANUTENZIONE	pag. 19
10.	AVVERTENZE AGLI OPERATORI E RISCHI RESIDUI	pag. 21
11.	PEZZI DI RICAMBIO	pag. 21
12.	MESSA FUORI SERVIZIO	pag. 21
13.	SMALTIMENTO APPARECCHIATURE OBSOLETE	pag. 21
	DIMENSIONE	pag. 22

1. INTRODUZIONE



Il corretto e sicuro funzionamento del lettino è assicurato solo se viene utilizzato in accordo con quanto indicato nel presente manuale e, in generale, nella documentazione di accompagnamento; pertanto è indispensabile leggere e conservare accuratamente tutta la relativa documentazione. Pur essendo il lettino dotato di sicurezze attive e passive, non possono essere evitati tutti i rischi dovuti ad un suo utilizzo non corretto. È necessario accertarsi sempre che tutti gli operatori abbiano compreso completamente le norme d'uso; si declina ogni responsabilità per danni a persone o cose derivanti da un uso improprio dell'apparecchio. Non rimuovere o deteriorare etichette, scritte e avvertenze poste su parti del lettino. In caso sia necessario ripristinarle, contattare il costruttore. Il costruttore, Brusaferrì & C., declina ogni e qualsiasi responsabilità per la mancata osservanza delle norme di sicurezza e di prevenzione descritte nelle varie sezioni del presente manuale e per danni causati da un utilizzo improprio. Tutti gli interventi sul lettino (manutenzioni, regolazioni, riparazioni, pulizia) devono essere effettuati da personale opportunamente addestrato e secondo quanto indicato nel presente manuale.

1.1. Destinazione d'uso

Il lettino è stato progettato e costruito per garantire la posizione "relax" per una corretta circolazione sanguigna.



ATTENZIONE! È vietato ogni utilizzo del lettino diverso da quello descritto nel presente manuale. Brusaferrì & C. declina ogni responsabilità per malfunzionamenti o danneggiamenti a persone o cose dovute ad utilizzi diversi da quelli indicati nel presente manuale. Il lettino deve essere utilizzato solo da personale informato delle modalità di utilizzo, del funzionamento e delle sue dotazioni di sicurezza.

1.2. Conservazione del manuale

Il presente manuale operativo deve essere conservato per qualsiasi futura consultazione. Si consiglia di:

- Conservare il manuale in un luogo accessibile e noto a tutti gli operatori, protetto da umidità e calore e al riparo dai raggi diretti del sole;
- Impiegare il manuale in modo da non danneggiarne tutto o in parte il contenuto: non asportare, strappare o modificare alcuna parte del manuale.

Nel caso di vendita o trasferimento del lettino ad altro soggetto, il presente manuale e i relativi allegati devono essere consegnati, integri, al nuovo utilizzatore



ATTENZIONE! Leggere attentamente il presente manuale operativo prima di utilizzare il lettino. Chiunque utilizzi il lettino deve essere adeguatamente informato sulle parti del presente manuale operativo rilevanti per le operazioni che dovrà svolgere.

2. TRASPORTO E INSTALLAZIONE

2.1. Movimentazione e rimozione dall'imballo

Il lettino può essere sollevato e movimentato manualmente da due o quattro persone, prendendolo esclusivamente per i 4 piedini d'appoggio.



Il peso del lettino è pari a 100 kg.

Il lettino viene spedito imballato in uno scatolone di cartone.

Aprire lo scatolone in modo da poter sollevare liberamente il lettino; rimuoverlo dall'imballo prendendolo per i 4 piedini e sfilarlo verso l'alto.



ATTENZIONE! È severamente vietato rimuovere il lettino sollevandolo dalla parte superiore (materasso).



ATTENZIONE! Non utilizzare coltelli o taglierini per aprire la scatola in modo da non rischiare di danneggiare il lettino ed in particolare l'imbottitura.

2.2. Pavimentazione

La pavimentazione sulla quale il lettino verrà appoggiato deve essere compatta, liscia, orizzontale ed adeguata a sostenere il peso e a garantirne la stabilità. Regolare eventualmente avvitando o svitando i 4 piedini.

2.3. Illuminazione

L'utilizzatore deve garantire che l'illuminazione delle zone di lavoro sia sufficiente a consentire una buona visuale delle operazioni e di tutti gli elementi del lettino; il livello di illuminamento dovrebbe essere conforme alla norma UNI EN 12464-1:2004; in particolare devono essere evitate zone d'ombra ed abbagliamenti fastidiosi.

2.4. Posizionamento

La posizione del lettino rispetto ad ostacoli fissi deve essere tale da consentire l'agevole passaggio per l'utilizzo e la manutenzione; in particolare lo spazio minimo per consentire il passaggio delle persone deve essere pari a 650 mm (in conformità alla norma EN 547-1:1996).

Per evitare schiacciamento di tutto il corpo la distanza minima tra l'appoggia gambe completamente allungato e lo schienale completamente abbassato ed ostacoli fissi deve essere pari a 500 mm.

2.5. Alimentazione elettrica

L'impianto di alimentazione elettrica deve avere tensione e frequenza pari alla tensione e frequenza nominale di alimentazione dell'apparecchio ed essere adeguato alla potenza installata, come indicato sulla targa di identificazione del lettino.

Voltaggio	230/110 V
Frequenza	50/60 Hz
Assorbimento	1A max
Trasformatore	Primary 230V - 110V Secondary 25V 120VA

L'alimentazione elettrica deve essere fornita all'apparecchio da una linea:

- Protetta contro le sovracorrenti mediante interruttore automatico (magnetotermico) o fusibili, adeguatamente dimensionati; la corrente di intervento delle protezioni deve essere la più bassa possibile tenendo in considerazione il massimo assorbimento dell'apparecchio;
- Dotata di un dispositivo sensibile ai guasti dell'isolamento (differenziale) con corrente di intervento sufficientemente bassa; tale dispositivo deve essere posto a valle del dispositivo di protezione contro le sovracorrenti (o essere integrato con esso);



Il lettino deve essere inoltre collegato ad un circuito di protezione equipotenziale esterno (messa a terra) adeguato.

2.6. Collegamenti

Inserire la spina in una presa elettrica idonea.

Se c'è incompatibilità tra la presa e la spina del lettino, fare sostituire la presa con un tipo adatto da personale professionalmente qualificato.



Estrarre la spina dalla presa afferrando la spina e non il cavo.



ATTENZIONE! È vivamente raccomandato di inserire la spina di alimentazione ad una presa singola riservata esclusivamente all'apparecchio. Si sconsiglia l'uso di prese multiple (ciabatte), adattatori e prolunghe. Il cavo elettrico non deve essere piegato.



3. CONDIZIONI AMBIENTALI DI FUNZIONAMENTO E IMMAGAZZINAMENTO

Il lettino è stato progettato e costruito per funzionare in ambiente chiuso e asciutto. Le condizioni ambientali di funzionamento sono:

■ Temperatura: 5° ÷ 40° C

■ Umidità: 30% ÷ 95% senza condensa.

Qualora le condizioni ambientali siano particolarmente critiche si consiglia di dotare l'ambiente di un adeguato impianto di condizionamento per riportare i valori di umidità e temperatura nei limiti accettabili.



ATTENZIONE! Il lettino non è stato progettato per funzionare in ambienti con atmosfere esplosive, in presenza di polvere fine o di gas corrosivi, in presenza di acidi, agenti corrosivi, sale; inoltre non è adatto al funzionamento in presenza di radiazioni ionizzanti e non ionizzanti (raggi X, laser, microonde, raggi ultravioletti).



ATTENZIONE! Non esporre il lettino ad un ambiente eccessivamente umido. Se il lettino dovesse bagnarsi, estrarre la spina dalla presa e farlo controllare in un Centro Autorizzato.



IMMAGAZZINAMENTO! Per il corretto funzionamento dell'equipaggiamento elettrico l'immagazzinamento del lettino deve avvenire a una temperatura compresa tra -25°C e +55°C e, solo per brevi periodi non superiori alle 24 ore, a +70°C.

Il lettino non presenta particolari esigenze per l'immagazzinamento, purché avvenga in ambiente chiuso e asciutto; tale condizione deve essere assicurata anche durante tutte le fasi del trasporto.

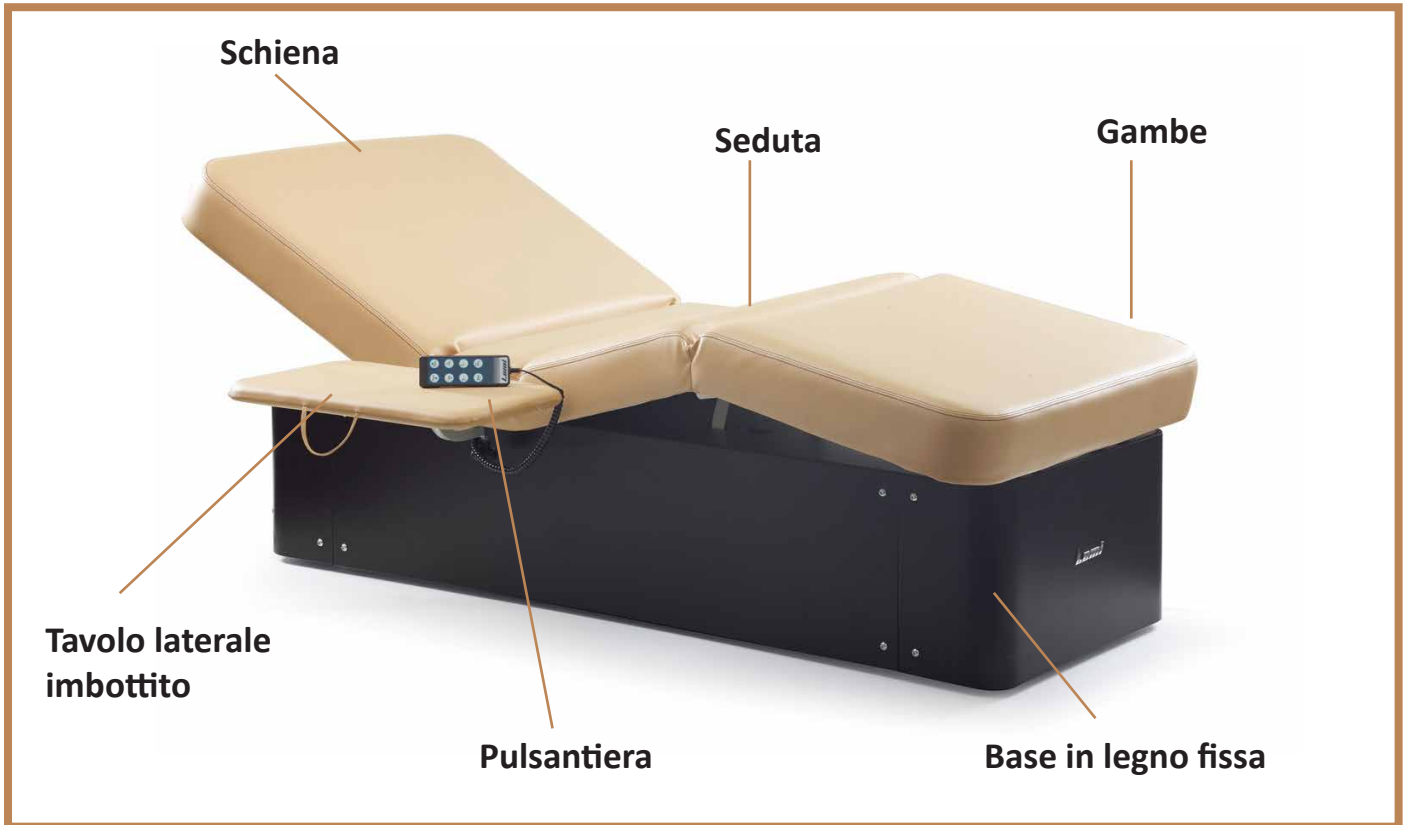
4. VERIFICHE PRELIMINARI

Prima della messa in funzione del lettino accertarsi che:

- Non ci siano danni all'attrezzatura imputabili alle fasi di trasporto e movimentazione; procedere eventualmente a ovviare a tali inconvenienti, contattando Brusaferris & C.;
- Tutti i componenti dell'imballo siano stati rimossi;
- Verificare che la tensione di alimentazione sia uguale a quella nominale indicata al § 2.5. Collegamenti;
- Verificare l'efficienza del funzionamento delle apparecchiature di comando.

Prima della messa in servizio vera e propria del lettino, far eseguire alcuni cicli di lavoro di prova a vuoto, in condizioni di sicurezza, da parte di personale qualificato.

5. DESCRIZIONE DEL LETTINO



6. ACCESSORI A RICHIESTA

6.1. Riscaldamento

OFF = spegnimento riscaldamento (luce accesa)

ON = accensione riscaldamento

LOW = temperatura minima

HIGH = temperatura massima

2H = Il riscaldamento rimane attivo per 2 ore sulla temperatura desiderata (LOW oppure HIGH a seconda del pulsante selezionato in precedenza), poi si spegne.

Quando questa funzione è attivata, il pulsante lampeggia sino al termine delle 2 ore. Si può interrompere in qualsiasi momento premendo OFF. Normalmente, dopo 1 ora dall'accensione il riscaldamento si spegne automaticamente (sia in temperatura LOW che in temperatura HIGH).



ATTENZIONE! É assolutamente necessario **SPEGNERE IL RISCALDAMENTO** (pulsante OFF acceso) **QUANDO IL LETTO NON É UTILIZZATO E ALLA FINE DI OGNI GIORNATA LAVORATIVA.**

Il riscaldamento funziona con la pressione del corpo, quindi non sentiamo alcuna sensazione di calore se non è stressata dal peso di un corpo. Si consiglia di lasciare sempre un peso sopra (per esempio asciugamani o riviste) per mantenere la temperatura minima.

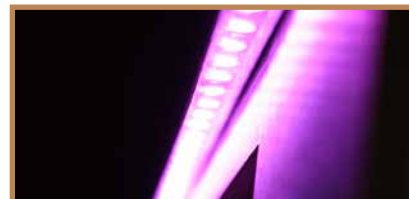
6.5. Bluetooth Sound kit



Per attivare il Bluetooth del lettino, premere il pulsante situato sul lato destro del vostro lettino. Effettuare la ricerca dispositivi Bluetooth con il vostro smartphone/strumento e selezionare il brano preferito da riprodurre. L'audio uscirà da due altoparlanti posti nello schienale del lettino.

6.6. Kit Chromo

Qualora il lettino fosse dotato di strisce per la cromoterapia, consultare il manuale di istruzioni apposito per l'utilizzo del telecomando cromo.



7. MODALITA' D'USO

7.1. Operatore

Il lettino può essere comandato da una pulsantiera; l'operatore deve posizionarsi in modo da avere completa visuale degli organi comandati e del cliente.



ATTENZIONE! Durante il funzionamento del lettino l'operatore deve sempre rimanere in prossimità degli organi di comando; è vietato abbandonare il lettino non presidiato durante il suo funzionamento.



Gli operatori devono prestare attenzione a evitare che si creino situazioni potenzialmente pericolose per la propria o altrui incolumità.



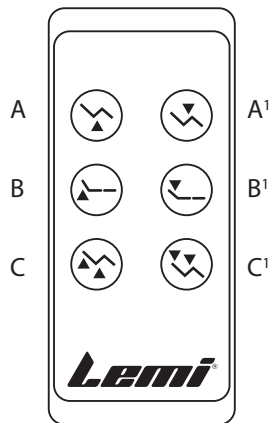
Tutte le persone che operano sul lettino devono essere opportunamente addestrate sui corretti metodi di lavoro e informate sul suo corretto funzionamento. Inoltre devono essere informate delle parti della presente documentazione rilevanti per il loro lavoro.

7.2. Utilizzo del materasso

Per garantire condizioni di igiene e sicurezza ai Vostri clienti e preservare nel tempo il materasso, Vi consigliamo di coprirlo sempre con una salvietta/coprilettino e dei fogli di cartene monouso prima di iniziare qualsiasi trattamento. Sia l'operatrice che il cliente non devono indossare anelli, collane, braccialetti, orologi o altri oggetti che possano danneggiare il materasso.

7.3. Controlli

Il lettino può essere comandato una pulsantiera. Tutti i comandi sono ad azione mantenuta, ovvero rilasciando il pulsante di comando il movimento si arresta.



PULSANTIERA

Pulsante A: alzata gambe

Pulsante A1: discesa gambe

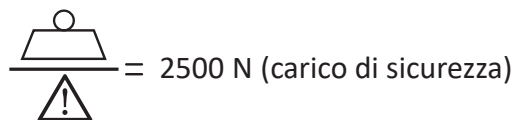
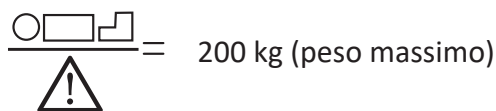
Pulsante B: alzata schiena

Pulsante B1: discesa schiena

Pulsante C: alzata basculante

Pulsante C1: discesa basculante

8. UTILIZZO DEL LETTINO

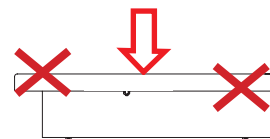


Sul lettino può salire una sola persona; la persona deve salire/scendere quando il lettino si trova in posizione base salendo sulla seduta.



ATTENZIONE! Adagiarsi sul lettino sedendosi sempre correttamente nella parte centrale della seduta.

Non sedersi o appoggiarsi dalla parte dei piedi o della testa.



ATTENZIONE! Gli arti del paziente devono essere sempre sul lettino.

L'operatore deve sempre avvertire il paziente quando movimentata il lettino.



ATTENZIONE! Prestare attenzione a fare in modo che il lettino o le sue parti elettriche non vengano bagnati e che liquidi non ristagnino sul lettino stesso; asciugare immediatamente eventuali liquidi — compresi liquidi fisiologici del paziente — che dovessero finire sul lettino.



Per evitare il pericolo di scossa non inserire né disinserire la spina con le mani bagnate. Non utilizzare il lettino a piedi nudi.

9. MAINTENANCE

Il lettino è stato progettato e costruito in modo da ridurre quanto più possibile le manutenzioni necessarie e assicurare un corretto funzionamento negli anni senza problemi. Durante qualsiasi intervento sul lettino, si raccomanda di seguire le indicazioni riportate alla presente sezione.



ATTENZIONE! Tutti gli interventi sul lettino devono essere effettuati da personale competente e istruito sui metodi per operare correttamente e in tutta sicurezza. Non effettuare nessun intervento sul lettino in movimento e verificare sempre che la spina di collegamento all'alimentazione elettrica sia staccata; portare la spina di alimentazione accanto a sé durante l'esecuzione degli interventi sul lettino in modo da poter verificare in qualsiasi momento l'effettivo sezionamento.

9.1. Controlli Generali

Verificare costantemente le condizioni generali del lettino: l'integrità delle protezioni, degli equipaggiamenti elettrici e le condizioni delle imbottiture.



ATTENZIONE! Non utilizzare il lettino se qualsiasi suo componente dovesse risultare non perfettamente integro o funzionante. In tal caso, mettere il lettino fuori servizio scollegando la spina di alimentazione e contattare subito un Centro di Assistenza autorizzato.

9.2. Manutenzione Straordinaria

Qualsiasi intervento di manutenzione straordinaria deve essere eseguito da personale del servizio assistenza tecnica di Brusaferrì & C. o da Centri di Assistenza autorizzati dal fabbricante.

Informazioni sui Centri di Assistenza autorizzati a cui rivolgersi possono essere ottenute direttamente dal fabbricante Brusaferrì & C srl – tel 0374 363068-69 – mail: service@lemigroup.it

Per una corretta e veloce risoluzione del problema, è necessario comunicare il modello ed il numero di matricola del lettino e la descrizione del difetto riscontrato, ovvero quali sono i sintomi visibili e in quali condizioni si verifica. Il lettino guasto, se in garanzia, dovrà pervenire al Centro Assistenza unitamente al certificato di garanzia, spese di trasporto a carico dell'acquirente.



ATTENZIONE! Ogni forma di garanzia decade qualora vengano effettuati interventi sul lettino da parte di personale non autorizzato da Brusaferrì & C.

9.3. Personale Autorizzato

Gli interventi di riparazione e di manutenzione straordinaria del lettino possono essere effettuati esclusivamente da personale competente, ovvero di Brusaferrì & C. oppure da essa autorizzato. Informazioni sul personale a cui rivolgersi per eventuali interventi possono essere ottenute direttamente da Brusaferrì & C.

9.4. Pulizia

Ogni volta che effettuate un trattamento, coprite sempre il materasso con salviette o teli monouso prima di far sdraiare il cliente (Vedi §7.2. Utilizzo del materasso).



Prestate particolare attenzione ai jeans che può macchiare il rivestimento senza alcuna possibilità di essere rimosso.



Pulire il lettino prima di ogni utilizzo, prestando particolare attenzione a rimuovere qualsiasi traccia di eventuali liquidi fisiologici del paziente precedente.

Per la pulizia del lettino utilizzare un panno e acqua tiepida (eventualmente detersivo neutro diluito). Se necessario, utilizzare un disinfettante non aggressivo, quindi ripassare subito con un panno asciutto e pulito.



Non usare prodotti come: alcool, acetone, candeggina, diluente, benzina.



ATTENZIONE! Prestare attenzione a non spruzzare liquidi sugli equipaggiamenti elettrici, sul pedale/pulsantiera e sulle protezioni del lettino. È necessario seguire le indicazioni di manipolazione indicate nelle schede di sicurezza dei prodotti detergenti utilizzati.

10. AVVERTENZE AGLI OPERATORI E RISCHI RESIDUI

Durante il movimento del lettino possono crearsi zone di potenziale rischio:

- di schiacciamento tra le parti del materasso in movimento e il rivestimento in legno;
- di impigliamento tra le parti del rivestimento in legno in movimento;



ATTENZIONE! Non avvicinare gli arti agli elementi in movimento ed in particolare ai punti descritti sopra.

11. PEZZI DI RICAMBIO

Tutti i pezzi di ricambio devono essere richiesti a Brusaferrì & C. che li fornirà direttamente o darà indicazioni sul luogo in cui possono essere reperiti. Si ricorda che qualsiasi intervento di manutenzione straordinaria deve essere eseguito da personale di Brusaferrì & C. o da esso autorizzato.



ATTENZIONE! Ogni forma di garanzia decade qualora vengano utilizzati pezzi di ricambio diversi da quelli originariamente montati.

12. MESSA FUORI SERVIZIO



Se il lettino diventa inoperativo oppure non deve essere usato per un periodo di tempo prolungato, si raccomanda di rimuoverlo dal servizio e di estrarre la spina dalla presa. Il lettino è costruito con componenti in acciaio, legno e materie plastiche: quindi gran parte del materiale è efficacemente riciclabile. Tutti i materiali con cui è costruito il lettino non sono tossici o pericolosi per la salute degli operatori, quindi possono essere maneggiati senza particolari precauzioni. Alla messa fuori servizio del lettino è opportuno eseguire una separazione dei diversi materiali per successiva riutilizzazione o smaltimento differenziato. Tutti i prodotti elettrici ed elettronici dovrebbero essere smaltiti separatamente, mediante impianti di raccolta specifica designati dal governo o dalle autorità locali.

13. SMALTIMENTO APPARECCHIATURE OBSOLETE

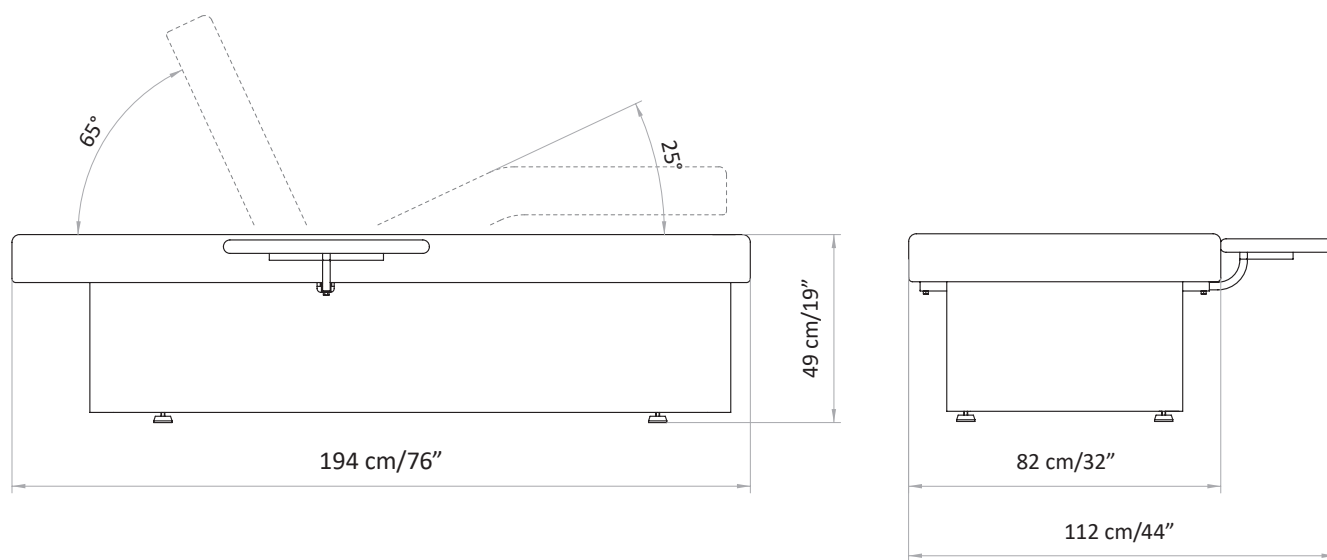


Il corretto smaltimento delle apparecchiature obsolete contribuisce a prevenire possibili conseguenze negative sulla salute umana e sull'ambiente. Per informazioni, contattare il proprio Comune o il Servizio Smaltimento Rifiuti.

DIMENSIONI

Dimensioni in cm e pollici

RELAX SUITE



1.	INTRODUCTION	_____	pag. 24
2.	TRANSPORT ET INSTALLATION	_____	pag. 24
3.	MILIEU DE FONCTIONNEMENT ET STOCKAGE	_____	pag. 26
4.	VÉRIFICATIONS PRÉLIMINAIRES	_____	pag. 26
5.	DESCRIPTION	_____	pag. 27
6.	ACCESSOIRES SUR DEMANDE	_____	pag. 27
7.	MODALITÉ D'EMPLOIS	_____	pag. 28
8.	UTILISATION DE LA TABLE	_____	pag. 29
9.	MAINTENANCE	_____	pag. 29
10.	AVERTISSEMENT AUX OPERATEURS ET RISQUES ANNEXES	_____	pag. 31
11.	PIECES DE RECHANGE	_____	pag. 31
12.	MISE HORS SERVICE	_____	pag. 31
13.	ÉVACUATION DES APPAREILS OBSOLÈTES	_____	pag. 31
	DIMENSIONE	_____	pag. 32

1. INTRODUCTION



Le fonctionnement correct et sûr du fauteuil est assuré uniquement si ceci est utilisé en accord avec les indications fournies par la présente notice et, plus généralement, par la documentation d'accompagnement. C'est pourquoi il est indispensable de lire et de conserver soigneusement l'entière documentation correspondante. Bien qu'étant un fauteuil doté de sécurités actives et passives, les risques éventuels dus à une mauvaise utilisation ne peuvent pas être évités. Il est nécessaire de s'assurer en permanence que tous les opérateurs ont compris entièrement le mode d'emploi ; nous déclinons toute responsabilité pour des dommages causés à des personnes ou à des biens par une utilisation impropre du fauteuil. Ne pas ôter ou abîmer les étiquettes, les inscriptions et les avertissements figurant sur les parties du fauteuil. Dans le cas où il serait nécessaire de les remettre en état, contacter le fabricant. Le fabricant, Brusaferrri & C srl, décline toute responsabilité en cas de non respect des règles de sécurité et des précautions décrites dans les différents chapitres de la présente notice, ainsi que pour les dommages causés par une utilisation impropre. Toutes les interventions sur la table (maintenance, réglages, réparations, nettoyage) doivent être effectuées par personnel spécialement formé et suivant les indications de la présente notice.

1.1 Fonction d'utilisation

La table de massage a été conçue et construite pour garantir la position "relax" pour la correcte circulation du sang.



ATTENTION ! Toute utilisation de la table différente de l'utilisation décrite dans la présente notice est interdite. Brusaferrri & C. décline toute responsabilité en cas de mauvais fonctionnement ou de dommages à des personnes ou des biens dus à des utilisations différentes de celles qui sont indiquées dans la présente notice. La table doit être utilisée uniquement par du personnel connaissant les modalités d'utilisation, le fonctionnement et les organes de sécurité.

1.2 Stockage

La présente notice d'utilisation doit être conservée pour toute consultation ultérieure. Nous vous conseillons de :

- Conserver la notice dans un endroit accessible et connu de tous les opérateurs, à l'abri de l'humidité, de la chaleur et des rayons du soleil.
- Utiliser la notice de façon à ne pas abîmer tout ou partie de son contenu : ne pas enlever, déchirer ou modifier pour quelque raison que ce soit, des parties de la notice.

En cas de revente ou de transfert du fauteuil à d'autres personnes, la présente notice et les pièces jointes doivent être remises complètes au nouvel utilisateur.



ATTENTION! Lire attentivement la présente notice d'utilisation avant d'utiliser le fauteuil. Toute personne utilisant le fauteuil doit être suffisamment informée sur le contenu de la présente notice, en particulier sur les parties correspondantes aux opérations qu'elle devra exécuter.

2. TRANSPORT ET INSTALLATION

2.1. Déplacement et déballage

La table peut être soulevée et déplacée manuellement par deux ou quatre personnes, en la prenant par les 4 pieds réglables de la base.



Le poids est de 100 kg.

Le fauteuil est expédié dans un carton et emballé dans un matériel spongieux (FOAM).

Ouvrir le carton de façon à pouvoir soulever librement la table ; le sortir de son emballage en le soulevant par ses 4 pieds et le tirer vers le haut.



ATTENTION! Il est formellement interdit de sortir le produit en le soulevant par le matelas.



ATTENTION! Ne pas utiliser couteaux ou cutter pour ouvrir le carton, pour ne pas risquer d'endommager le fauteuil et, en particulier, son matelas.

2.2 Nature du sol

Le sol sur lequel la table sera posée doit être compact, lisse, horizontal et adéquat à soutenir le poids du fauteuil et à en garantir la stabilité.

2.3 Éclairage

L'utilisateur doit garantir que l'éclairage des zones de travail soit suffisant pour permettre une bonne visibilité des opérations et de tous les éléments du fauteuil; le niveau d'éclairage doit être conforme à la norme UNI EN 12464 :2044 ; en particulier, les zones d'ombre et les éblouissements pénibles devraient être évités.

2.4 Positionnement

La position de la table par rapport à des obstacles fixes doit être telle qu'elle permet le passage aisé lors de l'utilisation et de la maintenance. En particulier, l'espace minimum qui permet le passage des personnes doit être de 650 mm. En particulier, pour éviter l'aplatissement de tout le corps, la distance minimale entre le repose-jambes complètement allongé et le dossier complètement abaissé et tout obstacle fixe doit être de 500 mm.

2.5. Alimentation Électrique

L'installation électrique de l'endroit doit avoir une tension et une fréquence correspondantes à la tension et à la fréquence nominales d'alimentation du fauteuil et être adaptée à la puissance de l'installation, comme indiqué sur la plaque d'identification figurant sur le fauteuil elle-même.

Voltage	230/110 V
Fréquence	50/60 Hz
Consommation	1A max
Transformateur	Primary 230V - 110V Secondary 25V 120VA

L'alimentation électrique doit être raccordée au fauteuil par une ligne :

- Protégée des surtensions grâce à un interrupteur automatique (magnétothermique) aux bonnes valeurs ou des fusibles ; le courant déclenchant les protections doit être le plus bas possible, compte tenu de la grande absorption de la table.
- Dotée d'un dispositif sensible aux problèmes d'isolation (différentiel), ayant une valeur de déclenchement suffisamment basse ; un tel dispositif doit être installé en aval du dispositif de protection contre les surtensions (ou y être intégré). Ayant des câbles de section adéquats à la puissance absorbée par la table.



En outre, la table doit être reliée à un circuit de protection équipotentiel externe adapté (mise à la terre).

2.6 Branchements

Insérer la fiche dans une prise électrique adéquate.

S'il y a incompatibilité entre la prise et la fiche de la table, faire changer la prise avec le modèle désiré par du personnel qualifié.



Extraire la fiche de la prise en tirant sur la fiche et pas sur le câble.



ATTENTION ! Il est vivement recommandé d'insérer la fiche d'alimentation à une prise unique réservée exclusivement à la table. On déconseille l'utilisation de prises multiples, adaptateurs et rallonges. Le câble électrique ne doit pas être plié.



3. MILIEU DE FONCTIONNEMENT ET STOCKAGE

La table a été conçue pour fonctionner dans un milieu clos et sec. Les conditions du milieu de fonctionnement sont :

■ Température : de 5° à 40 °C

■ Humidité : de 30% à 75 % sans condensation.

Dans le cas où les conditions de milieu sont particulièrement critiques, on conseille d'équiper l'endroit avec du matériel capable de ramener les valeurs de l'humidité et de la température dans la fourchette acceptable.



ATTENTION! La table n'a pas été conçue pour fonctionner dans une atmosphère explosive, en présence de poussières fines ou de gaz corrosifs, en présence d'acides, d'agents corrosifs, de sel ; de plus, elle n'est pas adéquate au fonctionnement en présence de radiations ionisantes (rayons X, laser, microondes, rayons ultraviolets).



ATTENTION! Ne pas exposer la table à une atmosphère particulièrement humide. Si la table devrait être mouillée, extraire la fiche de la prise électrique et le faire contrôler par un organisme compétent.



STOCKAGE! Pour le bon fonctionnement de l'équipement électrique, le stockage de la table doit avoir lieu à une température comprise entre -25° C et +55° C et, seulement pour de brèves périodes inférieures à 24 heures, à +70° C. Le fauteuil ne présente pas d'exigence particulière pour le stockage, pourvu qu'il soit effectué dans un milieu sec et clos; ces conditions doivent être maintenues aussi pendant toutes les phases de transport.

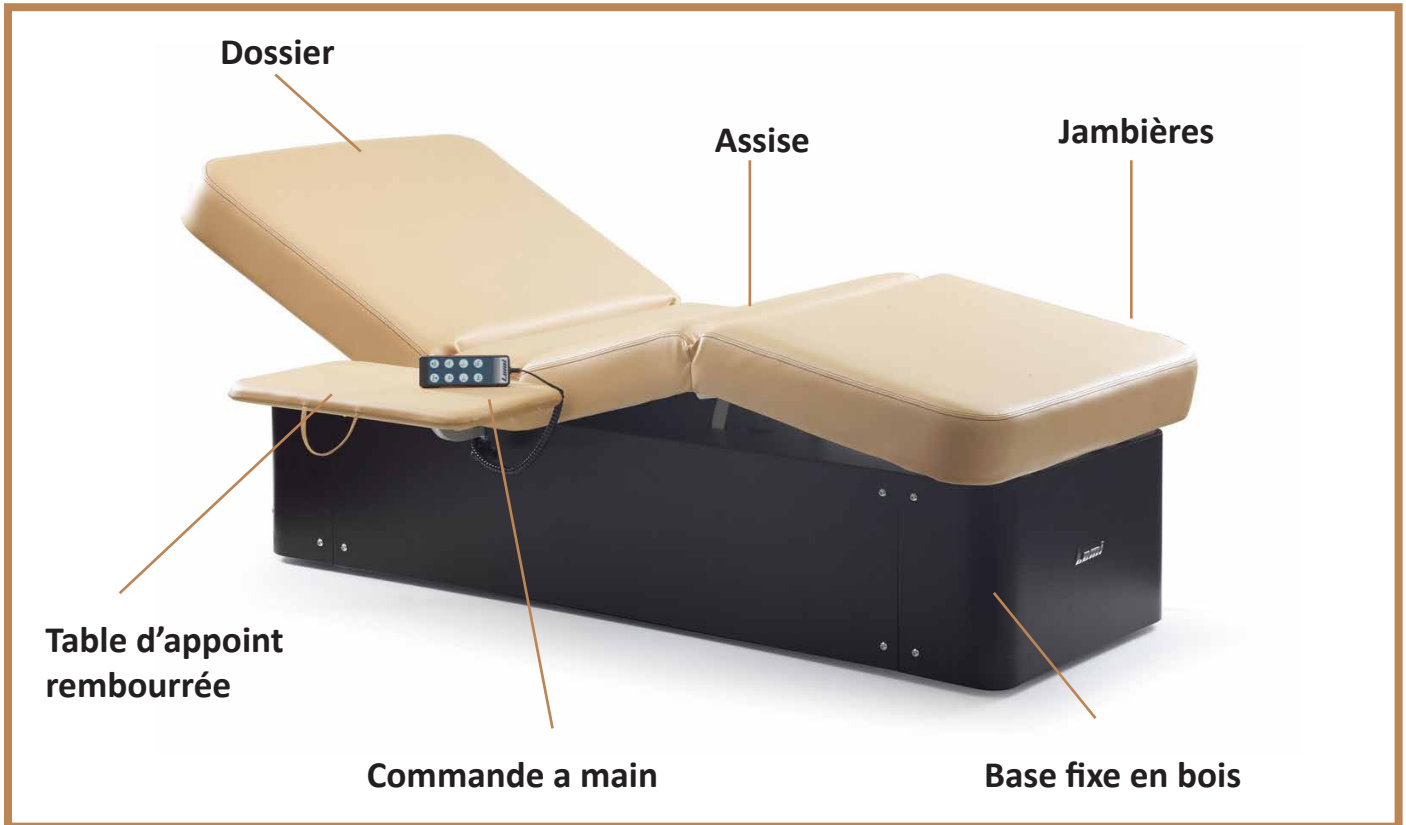
4. VÉRIFICATIONS PRÉLIMINAIRES

Avant de mettre en marche la table, on doit s'assurer que :

- Il n'y ait aucun dommage imputable aux étapes de transport et de manutention; procéder éventuellement à remédier aux inconvénients constatés en contactant Brusaferri & C. ;
- Tous les composants de l'emballage aient été ôtés ;
- La tension d'alimentation soit égale à la tension nominale indiquée au § 2.6. Branchements ;
- On doit vérifier le bon fonctionnement de l'appareil de commande.

Avant la véritable mise en service de la table, faire effectuer plusieurs cycles de fonctionnement à vide, en condition de sécurité, par du personnel qualifié.

5. DESCRIPTION DE LA TABLE



6. ACCESSOIRES SUR DEMANDE

6.1 Chauffage du matelas

OFF = arrêt du chauffage (led allumé : OFF)

ON = allumage du chauffage (ON + LOW)

LOW = température basse (ON + LOW)

HIGH = température haute (ON + HIGH)

2H = En pressant ce bouton, le chauffage fonctionne pour 2 heures consécutives sur la température choisie (LOW ou HIGH) ; après 2 heures il s'éteint automatiquement.

Quand la fonction 2H est active, le led clignote.

On peut arrêter la fonction en quelconque moment en pressant sur le bouton OFF.



ATTENTION ! Il est impérative D'ÉTEINDRE LE CHAUFFAGE (tous les deux led doivent être éteints) QUAND LA TABLE N'EST PAS UTILISÉE ET A LA FIN DE CHAQUE JOURNÉE.

Le chauffage fonctionne avec la pression du corps, donc vous ne percevrez aucune sensation de chaleur si vous ne sollicitez pas avec les poids d'un corps.

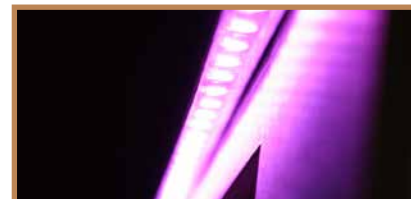
6.5 Kit Sound Bluetooth (musique)



La table peut être dotée de deux petits speakers pour écouter de la musique, installés au-dessous du dossier. Pour paramétrer le Bluetooth de la table avec votre téléphone/appareil, presser le bouton qui se trouve sur la coté droite de votre table. Chercher le dispositif Bluetooth sur votre appareil et sélectionner la chanson à jouer.

6.6 Kit Chromo (couleurs)

En cas de table avec les bandes pour la chromothérapie, il faut consulter la notice d'instruction spécifique pour la télécommande à main du chromo



7. MODALITÉ D'EMPLOIS

7.1 Opérateur

La table peut être commandée au moyen d'un télécommande à main; l'opérateur doit se positionner de façon à avoir une vue complète sur les commandes et sur le patient.



ATTENTION ! Pendant le fonctionnement de la table, l'opérateur doit toujours rester à proximité des dispositifs de commande ; il est interdit de laisser la table sans surveillance pendant son fonctionnement.



Les opérateurs doivent faire attention à éviter la création de situations potentiellement dangereuses, afin de se préserver leur propre santé et celle des autres.



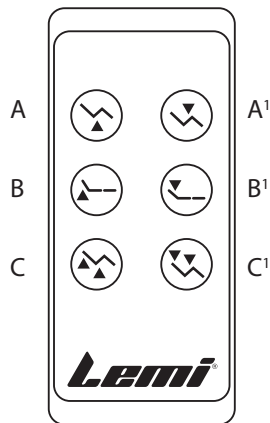
Chaque opérateur qui travaille avec cette table doit être adéquatement formé sur les modalités de travail et sur le fonctionnement de l'équipement.

7.2. Conservation et emplois du matelas

Le revêtement peut être endommagé par la chaleur naturelle de la peau et par l'usage constant d'huiles essentielles ou produits cosmétiques. Pour cette raison, il est vivement conseillé de toujours couvrir le matelas avec un essuie-mains et des feuilles de papier jetable de protection afin de protéger le matelas pendant le temps et garantir à vos clients sûreté et hygiène. En outre, l'opérateur et le client ne doivent pas porter des anneaux, colliers, bracelets, montres ou autres objets qui puissent risquer d'abîmer le matelas.

7.3. Fonctionnement

La table peut être commandée au moyen d'un télécommande à main. Tous les commandes sont à action maintenue, cela signifie qu'en lâchant la commande le mouvement s'arrête.



TÉLÉCOMMANDE À MAIN

Button A: soulèvement jambes

Button A1: abaissement jambes

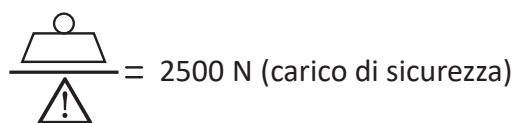
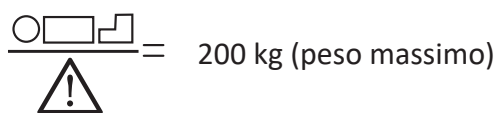
Pulsante B: soulèvement dossier

Pulsante B1: abaissement dossier

Pulsante C: soulèvement basculant (seat)

Pulsante C1: abaissement basculant (seat)

8. UTILISATION DE LA TABLE

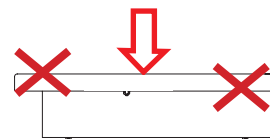


Sul lettino può salire una sola persona; la persona deve salire/scendere quando il lettino si trova in posizione base salendo sulla seduta.



ATTENZIONE! Adagiarsi sul lettino sedendosi sempre correttamente nella parte centrale della seduta.

Non sedersi o appoggiarsi dalla parte dei piedi o della testa.



ATTENZIONE! Gli arti del paziente devono essere sempre sul lettino.

L'operatore deve sempre avvertire il paziente quando movimenta il lettino.



ATTENZIONE! Prestare attenzione a fare in modo che il lettino o le sue parti elettriche non vengano bagnati e che liquidi non ristagnino sul lettino stesso; asciugare immediatamente eventuali liquidi — compresi liquidi fisiologici del paziente — che dovessero finire sul lettino.



Per evitare il pericolo di scossa non inserire né disinserire la spina con le mani bagnate. Non utilizzare il lettino a piedi nudi.

9. MAINTENANCE

La table a été conçue et construite de façon à réduire autant que possible la maintenance nécessaire et assurer un bon fonctionnement sans problème pendant des années. Pour toute intervention sur le fauteuil, veuillez suivre les indications figurant dans le présent chapitre.



ATTENTION ! Toutes les interventions sur la table doivent être effectuées par du personnel compétent et formé aux techniques pour intervenir correctement et en toute sécurité. N'effectuer aucune intervention sur la table en mouvement et vérifier systématiquement que la prise d'alimentation électrique soit débranchée ; garder la fiche électrique près de soi pendant l'intervention sur la table.

9.1. Contrôles Généraux

Vérifier régulièrement l'état général du fauteuil, en particulier l'intégrité des protections, des équipements électriques et les conditions des coussins.



ATTENTION ! Ne pas utiliser la table si l'un de ses composants s'avérait en mauvais état de fonctionnement. En ce cas-là, mettre la table hors service en débranchant la fiche d'alimentation et contacter un Centre d'Assistance autorisé

9.2. Maintenance Exceptionnelle

Toute opération de maintenance exceptionnelle doit être effectuée par un professionnel du Service Technique de Brusaferrri & C. ou bien par des Centres d'Assistance agréés par le fabricant. Pour toute information au sujet des Centres d'Assistance agréés, s'adresser directement au fabricant Brusaferrri & C srl – tél.+39/0374/363068-69 – mail: service@lemigroup.it

Pour une résolution efficace et rapide du problème, il est nécessaire d'indiquer le modèle et le numéro de matricule de la table, ainsi que le problème rencontré, ou bien quels sont les symptômes visibles et dans quelles conditions ceux-ci surviennent. La table en panne, si couverte de la garantie, devra parvenir au Centre d'Assistance accompagné du bon de garantie. Dans ce cas les frais d'expédition sont à la charge du client.



ATTENTION ! Toute forme de garantie tombe en cas d'intervention de personnel non autorisé par Brusaferrri & C.

9.3. Personnel Autorisé

Les interventions de maintenance et de réparation extraordinaire de la table doivent être effectuées seulement par le personnel compétent, à savoir provenant de Brusaferrri & C o par lui autorisé. Les informations sur le personnel autorisé à l'exécution des interventions peuvent être obtenues directement de la maison Brusaferrri & C.

9.4. Nettoyage

Couvrir le matelas avec des serviettes ou une feuille de papier jetable pour chaque traitement avant que le client s'allonge sur la table (voir §7.2. Conservation et emplois du matelas).



Faire attention en particulier au jeans qui peut tacher le revêtement en manière irrévocable.



Avant chaque traitement, essuyer immédiatement tous liquides qui pourraient finir sur la table. Pour le nettoyage utiliser un chiffon et de l'eau tiède (éventuellement un produit de nettoyage neutre dilué). Si nécessaire, utiliser un désinfectant non agressif, ensuite essuyer immédiatement avec un chiffon souple, sec et propre.



Ne pas utiliser de produits contenant Alcool, Acétone, Diluant, Eau de javel, Essence.



ATTENTION ! Ne pas éclabousser de liquides sur les outils électriques, la commande à pied/ télécommande et sur les protections du fauteuil. Il est nécessaire de suivre les indications d'utilisation indiquées dans les fiches de sécurité des produits chimiques utilisés.

10. AVERTISSEMENT AUX OPERATEURS ET RISQUES ANNEXES

Pendant la mise en mouvement de la table, il peut se créer de possibles zones d'écrasement / accrochement :

- Entre les parties du matelas en mouvement et la couverture en bois ;
- Entre les parties de la couverture en bois pendant son mouvement.



ATTENTION ! Ne pas approcher les membres aux parties en mouvement, en particulier aux zones d'écrasement mentionnées ci-dessus.

11. PIÈCES DE RECHANGE

Toutes les pièces de rechange doivent être demandées à Brusaferrì & C. qui les fournira directement ou donnera des indications sur l'endroit où celles-ci sont disponibles. On rappelle que toute intervention de manutention exceptionnelle doit être effectuée par du personnel Brusaferrì & C. ou autorisé par elle.



ATTENTION ! Toute forme de garantie tombe en cas d'utilisation de pièces de rechange différentes des pièces montées à l'origine sur la table.

12. MISE HORS SERVICE



Si la table devient inutilisée ou bien ne doit pas être utilisée pendant une longue période, il est recommandé de le mettre hors service et d'extraire la fiche de la prise électrique. Cette table est construite avec des composants en acier et des matières en plastiques : donc, une grande partie des matériaux employés est recyclable. Aucun des produits avec lesquels la table est construite n'est toxique ou dangereux pour la santé des opérateurs. Ils peuvent donc être manipulés sans précaution particulière. À la mise hors service de la table, il convient de séparer les différents matériaux pour une réutilisation ultérieure ou tri-sélective. Il faut éliminer tous les produits électriques et électroniques séparément, selon les instructions de votre Municipalité ou l'Autorité Locale.

13. ÉVACUATION DES APPAREILS OBSOLÈTES

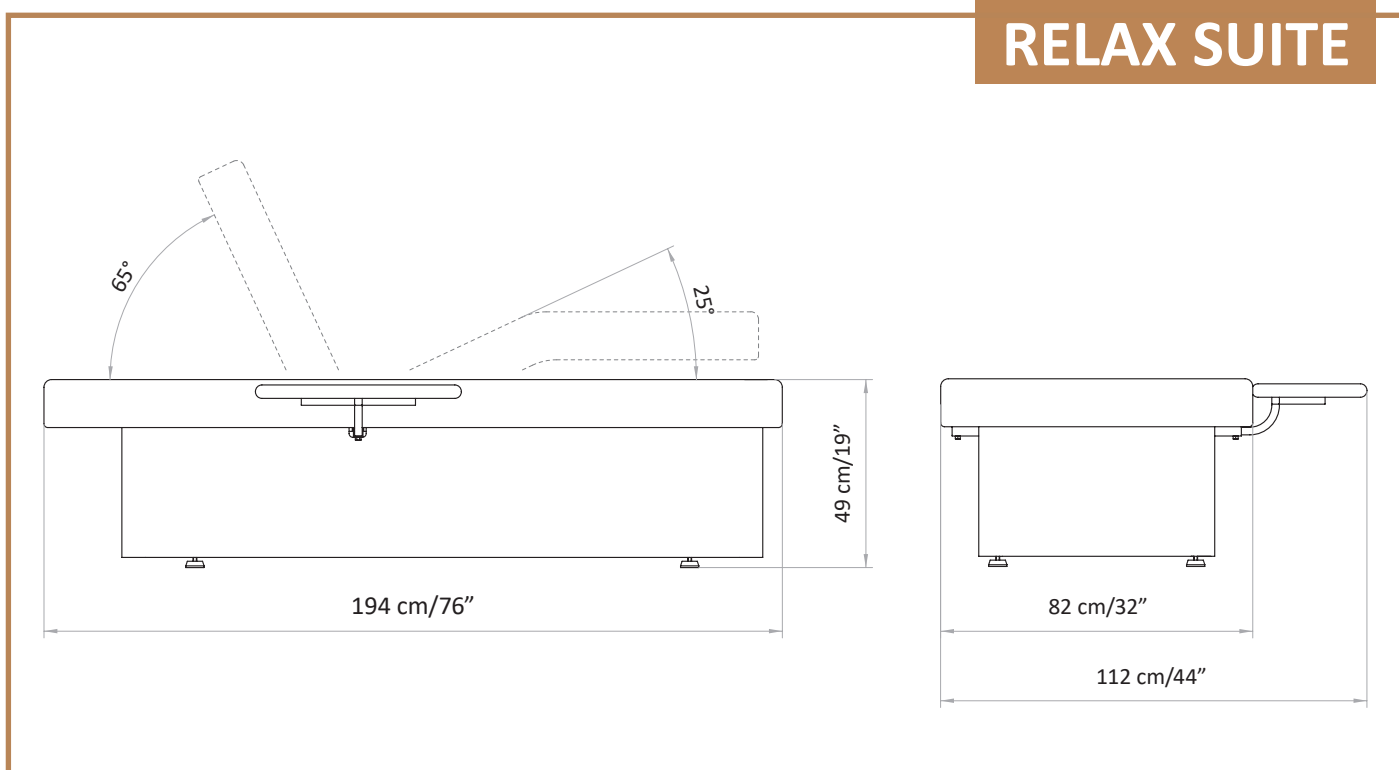


La bonne évacuation des appareils obsolètes contribue à éviter de possibles impacts sur la santé humaine et sur l'environnement. Pour toute information, contacter la Municipalité ou le Service de traitement déchets.

DIMENSIONS

Mesures en cm et inches

RELAX SUITE



1.	EINFÜHRUNG	_____	pag. 34
2.	LIEFERUNG UND INSTALLATION	_____	pag. 34
3.	UMWELTARBEITSBEDINGUNGEN UND EINLAGERUNG	_____	pag. 36
4.	VORKONTROLLEN	_____	pag. 36
5.	BESCHREIBUNG DER LIEGE	_____	pag. 37
6.	ZUBEHÖRE NACH ANFRAGE	_____	pag. 37
7.	BEDIENUNGSANLEITUNG	_____	pag. 38
8.	LIEGEBENUTZUNG	_____	pag. 39
9.	WARTUNG	_____	pag. 39
10.	HINWEIS FÜR DIE BEDIENER UND RESTRISIKEN	_____	pag. 41
11.	ERSATZTEILE	_____	pag. 41
12.	AUSSERBETRIEBNAHME	_____	pag. 41
13.	ENTSORGUNG VON ALTGERÄTE	_____	pag. 41
	DIMENSIONE	_____	pag. 42

1. EINFÜHRUNG



Der erfolgreiche und sichere Betrieb der Liege ist nur gewährleistet, wenn es in Übereinstimmung mit den Spezifikationen in diesem Handbuch verwendet wird und, im Allgemeinen, die beigefügten Unterlagen, so ist es wichtig, sorgfältig zu lesen und behalten alle bezügliche Dokumentation. Obwohl die Liege mit aktiven und passiven Sicherheitsvorrichtungen versehen ist, können nicht alle Risiken aufgrund ihrer falschen Verwendung vermieden werden. Sie müssen immer darauf achten, dass alle Benutzer vollständig die Regeln der Benutzung verstanden haben; der Hersteller lehnt jegliche Verantwortung für Schäden an Personen oder Sachen ab, die durch unsachgemäße Verwendung des Gerätes resultieren. Nicht entfernen oder beschädigen die Etiketten, Warnungen und Schriften auf den Seiten der Liege gelegten. Falls sie wiederherstellen möchten, wenden Sie sich an den Hersteller. Der Hersteller Brusaferrri & C. lehnt jegliche Verantwortung für die Nichteinhaltung der Regeln der Sicherheit und Prävention beschrieben in den verschiedenen Abschnitten dieses Handbuch und für Schäden, die durch unsachgemäßen Gebrauch verursacht sind. Alle Arbeiten auf der Liege (Wartung, Verstellungen, Reparaturen, Reinigung) müssen von entsprechend geschultem Personal durchgeführt werden und in Übereinstimmung mit dem, was in diesem Handbuch angegeben ist.

1.1 Verwendungsbestimmung

Die Liege wurde entwickelt und gebaut, dass die Entspannungsposition für die korrekte Durchblutung gewährleistet ist.



ACHTUNG! Es ist verboten, jegliche Verwendung der Liege anders als das in diesem Handbuch beschrieben, Brusaferrri & C. lehnt jede Verantwortung für Fehlfunktionen oder Schäden an Personen oder Sachen ab, die durch andere als die in diesem Handbuch beschriebenen Anwendungen verursacht sind. Die Liege sollte nur von Fachpersonal kompetent zur Verwendung, Bedienung und Sicherheitsausrüstung verwendet werden.

1.2 Erhaltung des Handbuchs

Diese Betriebsanleitung muss für jede zukünftige Referenz gehalten werden. Wir empfehlen Ihnen:

- Halten Sie das Handbuch an einem Ort zugänglich und bekannt für alle Bediener, geschützt vor Feuchtigkeit und Hitze nicht bei direkter Sonneneinstrahlung;
- Verwenden Sie das Handbuch, um nicht, irgendeinen Teil des Inhalts beschädigen: nicht entfernen, reißen oder kein Teil dieser Information zu ändern.

Im Falle der Verkauf oder die Übertragung auf eine andere Person der Liege, sollte dieses Handbuch und zugehörigen Dokumente intakt auf den neuen Benutzer geliefert werden.



ACHTUNG! Lesen Sie diese Bedienungsanleitung vor der Verwendung der Liege. Jeder, der die Liege richtig verwendet, sollte angemessen informiert werden, auf die Teile dieser Bedienungsanleitung relevant für die Operationen, die er durchführen muss.

2. LIEFERUNG UND INSTALLATION

2.1. Transport und Beseitigung der Verpackung.

Die Liege kann aufgehoben und manuell von zwei oder vier Personen bewegt werden, nehmend diese ausschließlich für die 4 Stützfüße.



Das Gewicht der Liege beträgt 100 kg.

Die Liege wird in einem Karton verpackt und geliefert

Öffnen Sie das, damit Sie frei die Liege heben können; entfernen Sie es von der Verpackung, nehmend es für die 4 Stützfüße und ziehen Sie es nach oben.



ACHTUNG! Es ist streng verboten, die Liege zu entfernen, indem Sie heben diese von oben (Matratze)



ACHTUNG! Verwenden Sie keine Messer oder Cutter, um die Schachtel zu öffnen, um nicht eine Beschädigung der Liege und insbesondere die Polsterung zu riskieren.

2.2 Fußboden

Der Fußboden, auf dem die Liege gelegt wird, muss feste, glatte, horizontale und angemessen sein, um das Gewicht zu unterstützen und um die Stabilität zu gewährleisten.

2.3 Beleuchtung

Der Benutzer muss sicherstellen, dass die Beleuchtung der Arbeitsbereiche ausreichend ist, um eine gute Sicht auf die Aktionen und alle Elemente der Liege zu ermöglichen, sollte die Beleuchtungsstärke in Übereinstimmung mit der UNI EN 12464-1:2004 sein, insbesondere müssen vermeiden werden Schatten und störende Blendungen.

2.4 Positionierung

Die Position der Liege in Bezug auf feste Hindernisse muss so sein, damit den leichten Durchgang für die Nutzung und Wartung zu ermöglichen, insbesondere der Mindestabstand um den Durchgang von Personen zu erlauben, muss gleich bis 650 mm. sein (nach EN 547-1:1996). Um Zerkleinerung des ganzen Körpers zu vermeiden, den Mindestabstand zwischen die Beine vollständig gestreckt und die Rückenlehne ganz abgesenkt und feste Hindernisse muss gleich 500 mm. sein.

2.5. Stromversorgung

Die Versorgungsanlage muss Spannung und Frequenz gleich der Spannung und Nennfrequenz des Geräts haben, und entsprechend der installierten Leistung sein, wie auf dem Typenschild der Liege angegeben.

Spannung	230/110 V
Frequenz	50/60 Hz
Entnahme	1A max
Trafo	Primärspule 230V - 110V Sekundärwicklung 25V 120VA

Die Stromversorgung muss an das Gerät über eine Leitung zugeführt werden:

- Geschützt gegen Überströme über automatischen Schalter (Leitungsschalter) oder Schmelzeinsatz, entsprechend dimensioniert; sollte der Strom der Schutzmaßnahmen so niedrig wie möglich sein, unter Berücksichtigung der maximalen Entnahme des Geräts;
- Ausgestattet mit einer Vorrichtung, die empfindlich auf Isolationsfehler (Differential) mit einem Auslösestrom ausreichend niedrig. Dieses Gerät muss hinter der Schutzvorrichtung gegen Überströme gelegt werden; Mit geeigneten Kabelschnitt für die entnommene Leistung von dem Gerät.



Die Liege muss außerdem zu einer externen angemessenen Äquipotential-Schutzschaltung (Sicherheitserdung) angeschlossen werden.

2.6. Verbindungen

Stecken Sie den Stecker in eine geeignete Steckdose.

Wenn gibt es Inkompatibilität zwischen der Steckdose und dem Stecker der Liege, die Steckdose mit einer geeigneten Art von einem qualifizierten Fachmann ersetzen.



Ziehen Sie den Stecker aus der Steckdose am Stecker und nicht am Kabel.



WARNUNG! Es wird dringend empfohlen, den Stecker in eine Einzelsteckdose ausschließlich dem Gerät zugewiesen. Wir empfehlen nicht die Verwendung von Mehrfachsteckdosen (Mehrfachstecker), Abgleichmittel und Verlängerungskabel. Das Kabel muss nicht gebogen werden.



3. UMWELTARBEITSBEDINGUNGEN

Die Liege wurde entwickelt und gebaut, um in einem geschlossenen und trocken Raum zu arbeiten. Die Umweltarbeitsbedingungen sind:

■ Temperatur: 5° ÷ 40° C

■ Luftfeuchtigkeit: 30% ÷ 75% ohne Kondenswasser.

Wenn die Umgebungsbedingungen besonders kritisch sind, ist es ratsam, den Raum einer angemessenen Klimaanlage zu geben, um die Feuchtigkeit und Temperatur innerhalb akzeptabler Grenzen wiederzubringen.



ACHTUNG! Die Liege wurde nicht entworfen, um in Umgebungen mit Explosivatmosphäre, in Gegenwart von feinem Staub oder korrosiven Gasen, in Gegenwart von Säure, ätzende Mittel, Salz zu arbeiten; außerdem ist es nicht geeignet für den Betrieb in Anwesenheit von ionisierenden und nicht ionisierenden Strahlungen (X-Strahlen, Laser, Mikrowellen, ultravioletten Strahlen).



WARNUNG! Stellen Sie nicht die Liege zu einer übermäßigen feuchten Umgebung aus. Wenn die Liege nass wird, ziehen Sie den Stecker aus der Steckdose und lassen Sie sie von einem autorisierten Service-Center überprüfen.



EINLAGERUNG! Für den korrekten Betrieb der elektrischen Ausrüstung muss die Einlagerung der Liege bei einer Temperatur zwischen -25° C und +55° C und nur für kurze Zeit von höchstens 24 Stunden, bis +70° C stattfinden.

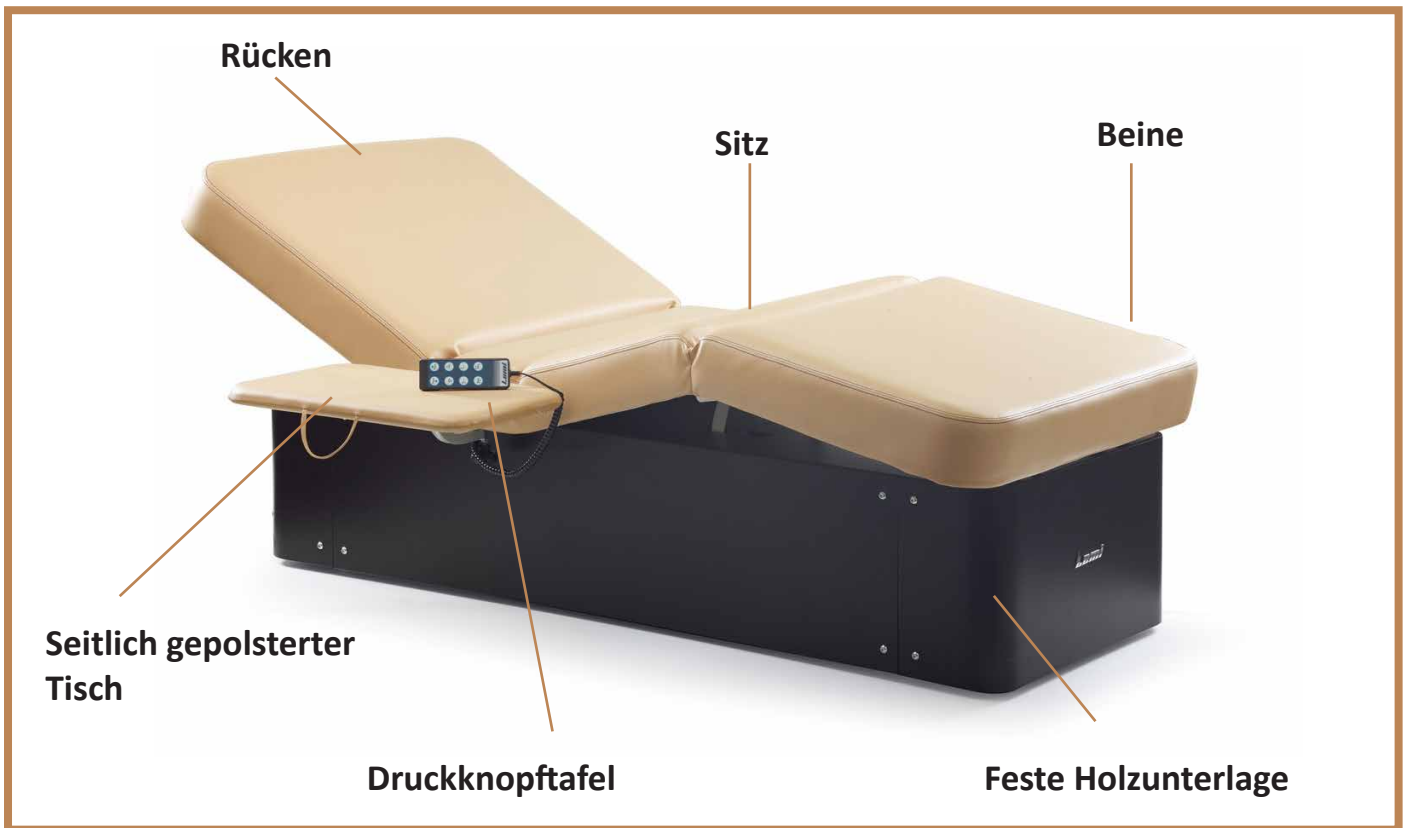
4. VORKONTROLLEN

Vor der Inbetriebnahme der Liege stellen Sie sicher, dass:

- Es gibt keine Schäden an der Ausrüstung wegen Transport und Handling, schreiten Sie eventuell vorwärts, um diese Probleme zu begegnen, setzend Sie sich in Verbindung mit Brusaferrri & C.;
- Alle Verpackungsbestandteile wurden entfernt;
- Prüfen Sie, dass die Versorgungsspannung gleich der in § 2.5. Stromversorgung gezeigten Nennspannung ist.;
- Überprüfen Sie die Effizienz des Betriebs der Steuervorrichtungen.

Vor der Inbetriebnahme der Liege selbst, ausführen ein paar Leerlaufversuchzyklen, in Sicherheitsbedingungen, durch qualifizierten Personal.

5. BESCHREIBUNG DER LIEGE



6. ZUBEHÖRE NACH ANFRAGE

6.1. Heizung

OFF = Heizung aus (LED an)

ON = Heizung an (LED ON + LOW an)

LOW = niedrige Temperatur (ON + LOW)

HIGH = Höhere Temperatur (ON + HIGH)

2H = Die Heizung ist 2 Stunden lang eingeschaltet und es schaltet dann automatisch aus.

Wann diese Funktion aktiv ist, blinkt das LED bis zum Ende der zweiten Stunde. Man kann jederzeit die Heizung stoppen bei dem Druck der OFF Taste. Normalerweise schaltet die Heizung nach einer Stunde automatisch aus. (Sowohl mit LOW als auch mit HIGH Temperatur).



ACHTUNG! Es ist absolut notwendig, DIE HEIZUNG (beide LED ausgeschaltet) AUSZUSCHALTEN, WENN DER TISCH NICHT BENUTZT WIRD UND AM ENDE JEDEN ARBEITSTAGES

Die Heizung arbeitet mit dem Druck des Körpers, dann wahrnimmt man kein Wärmegefühl, wenn es nicht durch das Gewicht eines Körpers gedrängt wird. Wir empfehlen Ihnen, immer ein Gewicht gestellt zu verlassen (z.B. Handtücher oder Zeitschriften), um die min. Temperatur zu halten.

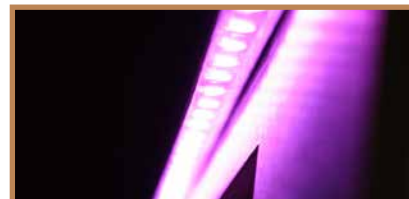
6.5 Bluetooth Sound Kit



Um das Bluetooth der Liege einzuschalten, drücken Sie bitte den Knopf an den rechten Seite der Liege. Mit ihrem Smartphone suchen Sie nach Bluetooth-Geräte und wählen das Lieblingslied. Die Musik kommt aus zwei Lautsprechern in der Rücken der Liege.

6.6 Kit Chromo

Wenn die Liege mit Farbtherapiestreifen ausgestattet ist, konsultieren Sie die besondere Bedienungsanleitung für den Gebrauch der Chrom- Fernsteuerung.



7. BEDIENUNGSANLEITUNG

7.1 Bediener

Die Liege kann durch eine Handfernbedienung gesteuert. Der Bediener muss sich so positionieren, um eine komplette Aussicht auf dem Kunde und der Liege zu haben.



WARNUNG! Während des Betriebs der Liege, muss der Bediener immer in der Nähe der Steuerungselemente bleiben; es ist verboten, die Liege während des Betriebs unbeaufsichtigt lassen.



Die Bediener sollten darauf achten, um zu vermeiden, dass potenzielle gefährliche Situationen für ihre eigene oder andere Sicherheit entstehen.



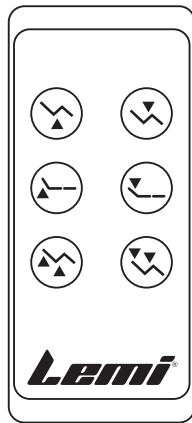
Alle die Personen, die auf der Liege arbeiten, müssen richtig auf die richtigen Arbeitsmethoden geschult sein und müssen über ihr korrektes Funktionieren informiert werden. Außerdem müssen Sie auch über die Teile dieser Dokumentation bedeutend für ihre Arbeit bewusst sein

7.2. Verwendung der Matratze

Um Hygiene und Sicherheitsbedingungen zu Ihren Kunden zu gewährleisten, und die Matratze in der Zeit zu beschützen, empfehlen wir Ihnen diese mit einem Handtuch/Liegedecke und mit PE-Einwegblätter vor Beginn der Behandlung zu bedecken. Sowohl die Bedienerin als auch der Kunden können keine Ringe, Ketten, Armbänder, Uhren oder andere Sachen tragen, die die Matratze beschädigen können.

7.3. Steuerungen

Die Liege kann durch eine Druckknopftafel gesteuert werden. Alle die Steuerapparate sind mit beständiger Wirkung, das heißt Loslassen das Steuerungs- Pedal/Druckknopf hält die Bewegung.



DRUCKKNOPFTAFEL

Taste A: Beine hoch

Taste A1: Beine runter

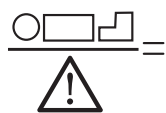
Taste B: Rückenlehne hoch

Taste B1: Rückenlehne runter

Taste C: Trendelenburg hoch

Taste C1: Trendelenburg runter

8. LIEGEBENUTZUNG



= 200 kg (max. Gewicht des Kunden)



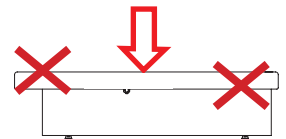
= 2500 N (zulässige Belastung)

Auf die Liege kann eine einzige Person steigen; die Person muss steigen/absteigen wenn die Liege in der Grundposition ist, steigend auf den Sitz.



ACHTUNG! Legen Sie sich auf der Liege immer setzend sich korrekt in dem zentralen Teil des Sitzes.

Setzen Sie sich nicht oder lehnen Sie sich an der Seite der Füße oder des Kopfes.



WARNUNG! Die Gliedmaßen des Patienten müssen immer auf der Liege sein.

Der Bediener muss immer der Patient benachrichtigen, wenn er die Liege in Betrieb sitzt.



ACHTUNG! Achten Sie darauf, um sicherzustellen, dass die Liege oder ihre elektrischen Teile nicht nass werden und dass sich keine Flüssigkeiten auf der Liege selbst stauen; trocknen Sie sofort eventuelle Flüssigkeiten – einschließlich physiologischen Flüssigkeiten des Patienten – die sich auf der Liege gehen können.



Um das Risiko eines elektrischen Schlags zu vermeiden, stecken Sie nicht oder ziehen Sie den Stecker mit nassen Händen. Verwenden Sie nicht die Liege barfuß.

9. WARTUNG

Die Liege wurde so konzipiert und konstruiert, dass so viel wie möglich die notwendigen Wartungen zu reduzieren und ordnungsgemäßen Betrieb in den Jahren ohne irgendwelche Probleme sicherzustellen. Während jeder Arbeit auf der Liege, ist es empfohlen, die gezeigten Anweisungen in diesem Abschnitt zu folgen.



WARNUNG! Alle Arbeiten auf der Liege müssen von qualifizierten Personal ausgeführt werden, und über die Methoden geschult, um richtig und sicher zu betreiben. Keine Aktion auf der Liege in Bewegung durchzuführen, und immer überprüfen, dass der Verbindungsstecker zur Stromversorgung abgeschaltet wird; bringen Sie den Versorgungsstecker neben ihm während der Durchführung der Arbeiten auf der Liege, so dass Sie jederzeit das tatsächliche Funktionieren überprüfen zu können.

9.1. Allgemeine Prüfungen

Überprüfen Sie den allgemeinen Zustand der Liege: die Integrität der Schutz, der elektrischen Ausrüstungen und der Zustände der Polsterung.



WARNUNG! Verwenden Sie nicht die Liege, wenn eine Komponente nicht vollkommen intakt oder funktionsfähig ist. In diesem Fall setzen Sie die Liege außer Betrieb, trennend den Versorgungsstecker und setzen Sie sich sofort in Verbindung mit einem autorisierten Service-Center.

9.2 Ungewöhnliche Wartung

Jede ungewöhnliche Wartung muss von Personal des technischen Dienstes von Brusaferrri & C. oder vom Hersteller autorisierten Service-Center durchgeführt werden.

Informationen über die autorisierten Service-Center, zu denen Sie wenden können, können Sie direkt vom Hersteller Brusaferrri & C srl – Tel 0374/363068-69 – mail: service@lemigroup.it erhalten.

Für eine korrekte und schnelle Lösung des Problems, ist es notwendig, das Modell und die Seriennummer der Liege und die Beschreibung des festgestellten Defektes mitzuteilen, das heißt, was sind die sichtbaren Problemen und unter welchen Bedingungen eintreten. **Die defekte Liege, wenn im Rahmen der Garantie, muss zum Service-Center zusammen mit dem Garantieschein gelangen werden, Frachtkosten zu Lasten des Käufers.**



WARNUNG! Jede Garantieförm verwirkt, wenn Arbeiten auf der Liege ausgeführt werden, von jemanden nicht von Brusaferrri & C. autorisiert.

9.3. Autorisierte Personal

Reparaturen und Wartungsarbeiten auf der Liege können ausschließlich von kompetentem Personal durchgeführt werden, das heißt von Brusaferrri & C. SRL oder von ihnen autorisiert.

Informationen zum Personal für mögliche Interventionen erhalten Sie direkt bei Brusaferrri & C. SRL

9.4. Reinigung

Jedes Mal, wenn Sie eine Behandlung machen, verkleiden Sie immer die Matratze mit Handtüchern oder Einwegtüchern, bevor Sie den Kunden sich hinzulegen lassen. (Siehe §7.2. Verwendung der Matratze).



Machen Sie auf die Jeans Aufmerksamkeit, die die Verkleidung beflecken kann, ohne jede Möglichkeit den Fleck zu entfernen.



Reinigen Sie die Liege vor jeder Benutzung, wobei besonders Vorsichtig auf alle Spuren von eventuellen physiologischen Flüssigkeiten der vorherigen Patienten

Für die Reinigung der Liege benutzen Sie einen Lappen und halbwarmes Wasser (eventuell mit verdünntem neutralen Reinigungsmittel). Falls erforderlich, verwenden Sie ein nicht-aggressive Desinfektionsmittel, dann sofort mit einem sauberen, trocknen Tuch abwischen.



Verwenden Sie keine Produkte wie: Alkohol, Aceton, Bleichlauge, Verdünnungsmittel, Benzin.



ACHTUNG! Achten Sie darauf, dass Sie keine Flüssigkeiten auf elektrischen Geräte, Pedal/ Druckknopftafel und auf die Liegeschutten verschütten. Sie müssen die Handhabungsanweisungen gezeigten in den Sicherheitsblättern der benutzten Reinigungsmittel zu folgen.

10. HINWEIS FÜR DIE BEDIENER UND RESTRISIKEN

Während der Bewegung der Liege können potentielle Risikozone erstellen:

- Quetschen zwischen beweglichen Teilen der Matratze und der Holzverkleidung;
- Einwicklung zwischen Teilen der Holzverkleidung in Bewegung;



ACHTUNG! Heranrücken Sie nicht die Gliedmaßen auf den Elementen in Bewegung, insbesondere zu den oben beschriebenen Punkten.

11. ERSATZTEILE

Alle Ersatzteile müssen zu Brusaferrri & C. verlangt werden, die sie direkt liefern wird, oder wird Ihnen Anweisungen geben, über dem Ort, wo sie gefunden werden können. Bitte beachten Sie, dass jede ungewöhnliche Wartung muss von Personal von Brusaferrri & C. ausgeführt sein, oder von sie berechtigt.



ACHTUNG! Jede Garantieförm verwirkt, wenn man verschiedene Ersatzteile von denen ursprünglich installierten benutzt.

12. AUSSERBETRIEBNAHME



Wenn die Liege funktionsunfähig wird oder nicht für eine verlängerte Zeit verwendet wird, ist es empfohlen, es von Dienst zu entfernen und den Stecker aus der Steckdose zu ziehen. Die Liege ist mit Komponenten aus Stahl, Holz und Kunststoffe gebaut: soviel des Materials wirksam wiederverwertbare ist. Alle Materialien, mit denen die Liege gebaut ist, sind nicht giftig oder gefährlich für die Gesundheit der Bediener, so dass sie ohne besondere Vorsichtsmaßnahmen gehandhabt werden können. Im Fall von Außerbetriebnahme der Liege ist es angebracht, eine Trennung der verschiedenen Materialien für die anschließende Wiederverwendung oder Entsorgung durchzuführen. Alle elektrischen und elektronischen Produkte sollten separat entsorgt werden durch bestimmte Sammelanlage designiert von der Reinigung oder von den Lokalbehörden.

13. ENTSORGUNG VON ALTGERÄTE



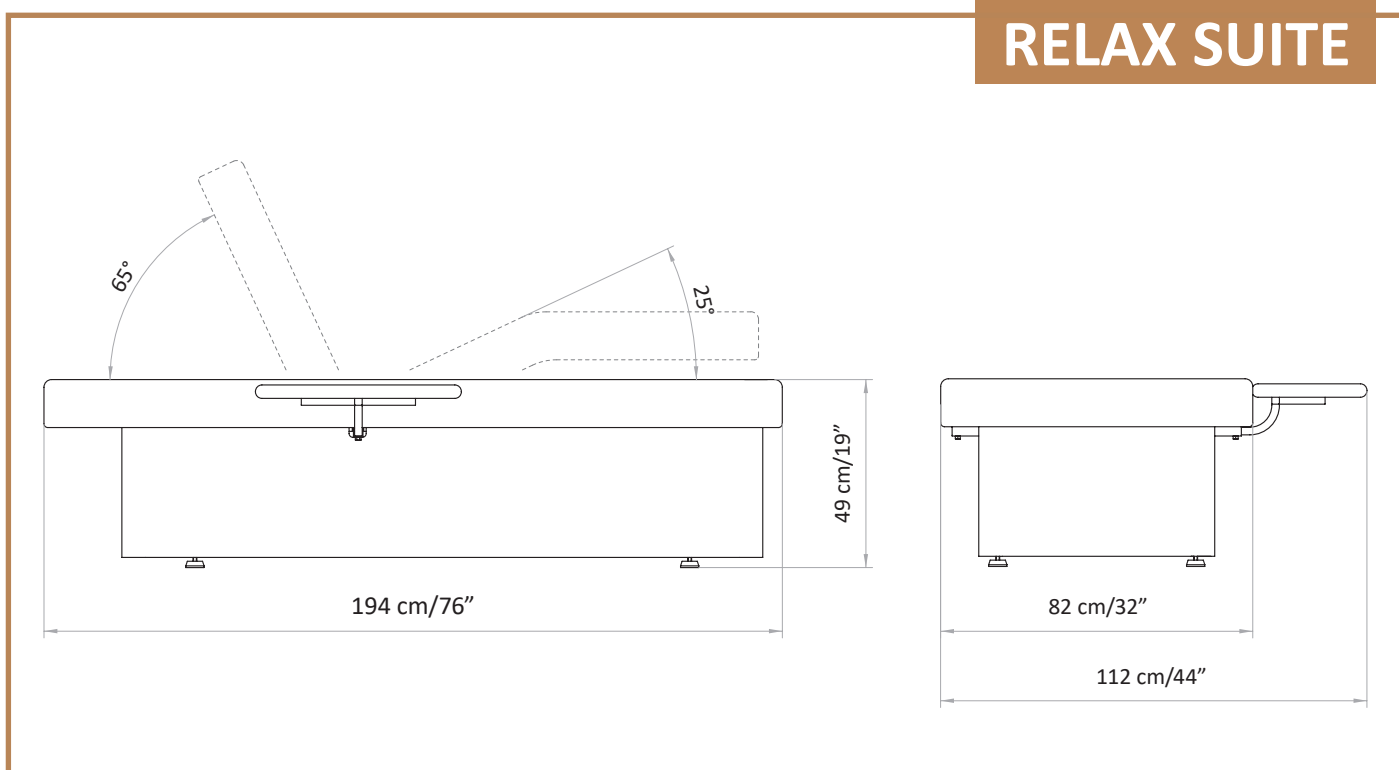
Die korrekte Entsorgung der alter Geräten verhindert mögliche schädliche Auswirkungen auf die menschliche Gesundheit und die Umwelt.

Weitere Informationen erhalten Sie von Ihrem Rathaus oder Müllbeseitigungsdienst.

DIMENSIONS

Masse in cm und inches

RELAX SUITE





ACHTUNG!

Bitte beachten Sie, dass bei elektrisch höhenverstellbaren Therapieliegen durch versehentlichen Betätigen der Steuerung die Gefahr der "Selbsteinklemmung" besteht.

Die Therapieliegen dürfen nur durch eingewiesenes und geschultes Fachpersonal bedient werden. Sobald diese autorisierte Person den Behandlungsraum verlässt, muss sichergestellt sein, dass die Liege stromlos ist und ein versehentliches Betätigen der Steuerung nicht möglich ist oder verhindert wird, dass es zu einer Personengefährdung führen kann.

Dies kann durch verschiedene Maßnahmen durch die autorisierte Person erfüllt werden:

- Die Demontage des Stuhls am Ende seiner Lebensdauer muss von qualifiziertem Personal vorgenommen werden, das für die korrekte Handhabung geschult ist - und gegebenenfalls den Stuhl demontiert.
- Verwenden Sie nur geeignete Geräte und heben Sie die Geräte gemäß den nationalen Bestimmungen und Gesetzliches Gesetz in Kraft.
- Wenn Sie den Stuhl abmontieren oder an einen anderen Ort bringen möchten, wenden Sie sich bitte an den Hersteller Brusaferrri & C - Italien.

This publication or parts thereof may not be reproduced, stored in a storage machine, transmitted, transcribed, or translated into any language, usual or computer, in any form or by any means, electronic, mechanical, magnetic, optical, chemical, manual or otherwise, without the express written permission of the manufacturer, Brusaferrri & C. The manufacturer shall provide warranty with respect to the contents of this publications, with the express prohibition of the use of the same publication for any other purpose whatsoever, commercial, practical, technical-scientific, unrelated to the functioning of the equipment to which it relates for which this issue has been written. The warranty on the accuracy of the information contained herein is provided on condition that they are strictly observed by the user of the device, all the prescriptions contained in this documentation. Moreover Brusaferrri & C. reserved the right to revise this publication and to make changes in the content without obligation to notify any person or organization. These revised publications are available on request by Brusaferrri & C.

©2020 Brusaferrri & C. – All rights reserved.

Designed and manufactured by:

Lemi[®]
ITALIAN WELLNESS EQUIPMENT

Via Mara Maretti Soldi, 13
26011 Casalbuttano (CREMONA) ITALY
Phone +39-0374-363069 Fax +39-0374-363071
info@lemigroup.it service@lemigroup.it
www.lemigroup.it

Lemi[®]
ITALIAN WELLNESS EQUIPMENT