

Caribe MTDS-89

78.25" x 46.75" x 22"

GENERAL SPECIFICATIONS:

Tub Size	78.25" x 46.75" x 22"
Bathing Well	length: 61.25" top / 46.5" bottom width: 29.5" top / 26" bottom
Plumbed Weight	185 lbs / 83.99 kg
Soaker Weight	120 lbs / 54.48 kg
Average Fill	60 gal to above jet level
Maximum Fill	130 gal to overflow
Undermountable	Yes

NOTE: Filling this tub to the maximum may require an above average size or dedicated water heater.

NOTE: Not recommended as a tub / shower combination.

ELECTRICAL SPECIFICATIONS:

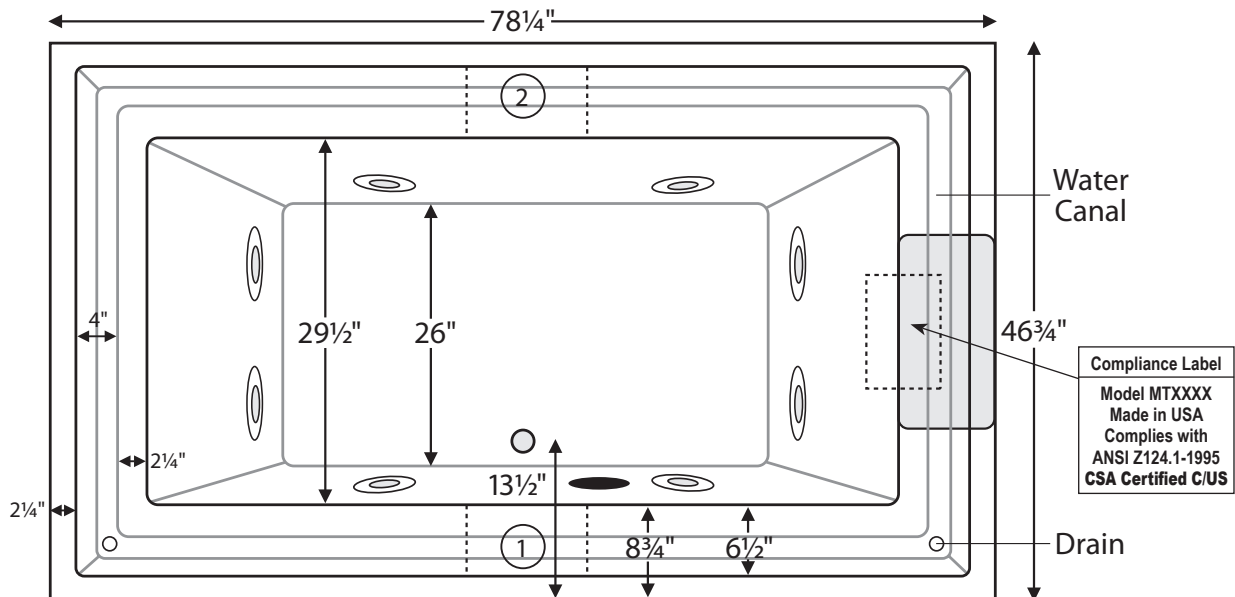
Required Electrical Service	110 Volt
Air Bath	1-15 amp GFCI
Standard Whirlpool	2-15 amp GFCI
Standard Whirlpool w/Air	1-15 amp GFCI & 1-20 amp GFCI
Ultra-Therapy	2-15 amp GFCI
Ultra-Therapy w/ Air	2-20 amp GFCI

CSA Certified C/US; NAHB Certified; ANSI Z124.1 for plastic tubs and ANSI 112.19.7 for whirlpool components.

NOTE: See electrical specifications page for electrical requirements of options.



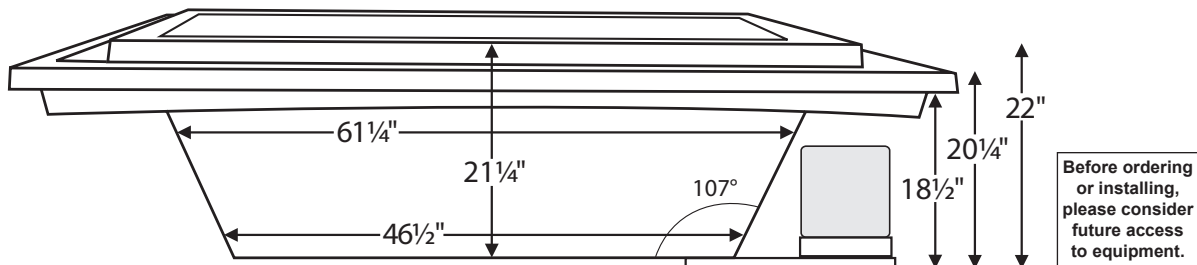
Caribe is an overflow tub, which features a water canal with 2 drains around the perimeter.



Dotted lines indicate a solid surface area which is necessary when a whirlpool is ordered. See p B-107 and B-108.

When an air system is ordered and no deck plugs are desired, the air system control pad must be mounted adjacent to the tub and is shipped loose. In this case, the Virtual Spout is recommended as a filler solution.

Shown with Ultra-Therapy Package.



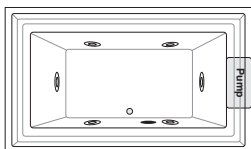
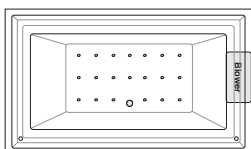
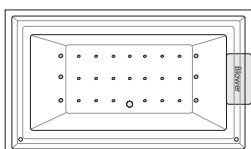
IMPORTANT: If you are planning to use a glass enclosure, MTI must be advised when ordering for possible relocation of controls.

INSTALLATION: Add 1"-3" to height of tub for bedding compound. MTI recommends Quickrete Sand Mix. Air Baths add approximately 2"-3" to height of tub. Please measure tub before building tub decking. Suction and control locations may vary. Drawing shows best pump location. Alternate locations available—call MTI for details. Measurements are $\pm 1/2$ " and are subject to change without notice. Data herein supersedes all previous prior to publication date shown below. Tubs with more than one pump or blower will require additional service access.



Caribe MTDS-89
78.25" x 46.75" x 22"

All packages with whirlpool and / or air bath include a timer for added safety.

Soaker/Whirlpool	Soaker (S89)	Standard Therapy (P89)	Ultra-Therapy (P89U)
 Shown with Standard Therapy Package	Soaker	6 point-massage jets, 2 bhp pump and an inline heater	8 point-massage jets, 3 bhp pump, and an inline heater.
	\$2,711	\$4,624	\$5,123
System Aria	Air Bath (AST89)	Air Whirlpool (AW89)	Air Ultra (AU89)
 Adds approximately 2"-3" to height	20 air jets, heated blower and a pre-leveled foam base	6 point-massage jets, 2 bhp pump, an inline heater, 20 air jets, heated blower and a pre-leveled foam base	8 point-massage jets, 3 bhp pump, an inline heater, 20 air jets, heated blower and a pre-leveled foam base
	\$4,747	\$6,450	\$7,038
System Aria Elite	Aria Elite Bath (AE89)	Aria Elite Whirlpool (AEAP89)	Aria Elite Ultra (AEAP89U)
 Adds approximately 2"-3" to height	20 air jets, six 7-port lateral jets (42 air streams), 4 LED lights, heated blower and a pre-leveled foam base	6 point-massage jets, 2 bhp pump, an inline heater, 20 air jets, six 7-port lateral jets (42 air streams), 4 LED lights, heated blower and a pre-leveled foam base	8 point-massage jets, 3 bhp pump, an inline heater, 20 air jets, six 7-port lateral jets (42 air streams), 4 LED lights, heated blower and a pre-leveled foam base.
	\$6,443	\$8,162	\$8,685

COLORS

Standard: White, Bone, Biscuit, Almond

Color Upgrade: See p M-1 for available colors

OPTIONS FOR ALL BATHS (See Section C for details)

• Quick Ship/Priority. Call for availability. (QSPRI)	\$260
• Remote Control (REMOTE) (Air Bath packages only)	\$295
• Radiance® (RAD100) (See p C-23)	\$999
• Stereo H2O® with 2 transducers (STEREOH2O2) (See p C-20)	\$1559
• Virtual Spout (FPMJ) (See p C-25)	\$220
• Inline Heater Installed / Soaker and Air Bath (HTISOAK)	\$699
• Tub Shield Frameless Enclosure Chrome	N/A
Square Hinges (MXSH24C) Oval Hinges (QXSH24C)	
Other finishes available (See p K-13)	
• Acrylic Grab Bars, Curved 9" (set of 2)	N/A
White (GBCW); Bone (GBCB); Almond (GBCAL); Biscuit (GBCBS); Clear w/ Chrome Accents (GBCAC)	
Clear w/ Brass Accents (GBCBAC)	
Clear w/ Brushed Nickel Accents (GBCAB)	
• Metal Grab Bars, Modern Straight 9" (set of 2)	N/A
Chrome (GBMS9C); Brushed Nickel (GBMS9BN)	
Polished Nickel (GBMS9PN)	
• Metal Grab Bars, Curved 9" (set of 2)	N/A
Chrome (GBMCC); Brushed Nickel (GBMCCBN); Polished Nickel (GBMCPN)	
• Waste & Overflow Kits (For other available finishes see p C-1)	
Caribe Drain Kit Chrome (WOCARIBEC)	STD
Caribe Drain Kit Brushed Nickel (WOCARIBEBN)	\$75
Caribe Drain Kit Special Finish (WOCARIBESF)	\$500
Lift & Turn White (WOW)	N/A
Lift & Turn Chrome (WOC)	N/A
Lift & Turn Brushed Nickel (WOBN)	N/A
Cable Driven White, Bone, Biscuit, Almond (WOCDW)	N/A
Cable Driven Chrome (WOCDB)	N/A
Cable Driven Brass (WOCDBR)	N/A
Cable Driven Oil Rubbed Bronze (WOCDBR)	N/A
Cable Driven Brushed Nickel (WOCDBN)	N/A
Cable Driven Polished Nickel (WOCDBN)	N/A
Toe-Tap Chrome (WOTTC)	N/A
Toe-Tap Brushed Nickel (WOTTBN)	N/A
• Textured Non-Slip Bottom (TXTBTM) meets ASTM F-462-1994	\$63
• Chromatherapy: digitally controlled LED lighting (LE)	\$499
• Pillows: various shapes and sizes	See p C-12
• Hand-Held Showers, factory-installed	See p C-24

• Integral Tile Flange 3 sides (ITF) Specify RH or LH Drain	N/A
• Tile Flange Kit Factory-Installed 3 sides – Rigid ABS (TFK3)	\$168
• Tile Flange Kit Field-Installed 3 sides – Rigid ABS (TFKNI)	\$78
• Pre-Leveled Foam Base (PLFOAM) [standard with air baths]	\$143
• Pre-Leveled Frame and Foam Base (PLF)	N/A
• Skirting (note: MTI recommends a Pre-Leveled Frame when ordering a skirt)	
Paintable Wood Skirt (SKW6)	N/A
Stainable Wood Skirt / Cherry (SKCH6)	N/A
Stainable Wood Skirt / Oak or Maple (SKO6)	N/A
One-Piece Traditional Acrylic Raised Panel (SKAO6)	N/A
Acrylic Raised Panel-Look w/ Removable Panels (SKAR6)	N/A
One-Piece Contemporary Acrylic Flat Panel (SKFO6)	N/A
Acrylic Euro-Style w/ Removable Panels (SKE6)	N/A
Acrylic Skirting Color Upgrade (See p M-1)	N/A

OPTIONS FOR WHIRLPOOLS ONLY

• Trim Kits *Must be specified at the time of tub order*	
Standard Therapy Chrome (TRC)	\$185
Standard Therapy Brass (TRBR)	\$387
Standard Therapy Br Nickel (TRBN); Pol Nickel (TRPON)	\$387
Standard Therapy Oil Rubbed Bronze (TROR) (See p C-37)	\$504
Standard Therapy Special Finish (TRSF) (See p C-37)	\$1,094
Ultra-Therapy Chrome (TRCU)	\$231
Ultra-Therapy Brass (TRBRU)	\$480
Ultra-Therapy Br Nickel (TRBNU); Pol Nickel (TRPONU)	\$480
Ultra-Therapy Oil Rubbed Bronze (TRORU) (See p C-37)	\$680
Ultra-Therapy Special Finish (TRSFU) (See p C-37)	\$1,359
• Neck Jet Pillows: Rectangular (PINJPR); Oval (PINJPO)	N/A
• Pump Upgrades	
2 bhp (PUMP2)	STD
3 bhp (PUMP3)	\$223
• Inline Heater Installed / Whirlpool (HTI)	STD
• Low Water Sensor (LWS)	\$370
• Rotary Jets: Can be substituted for Point-Massage Jets (max 2)	See p C-34
• Additional Point-Massage Jets (EJ)	\$235
• Micro-Jets	N/A
• Cleaning Systems (See p C-30)	
Fill-Flush® without valves (FFSO)	\$559
Simple Touch® without valves (FFE)	\$640
• Breda Valve (Atmospheric Vent Only)	See p C-31
• Breda Valve (Diverter)	See p C-31
• Ozonator Bath Sanitation System (OZONE)	\$499

Caribe MTDS-89

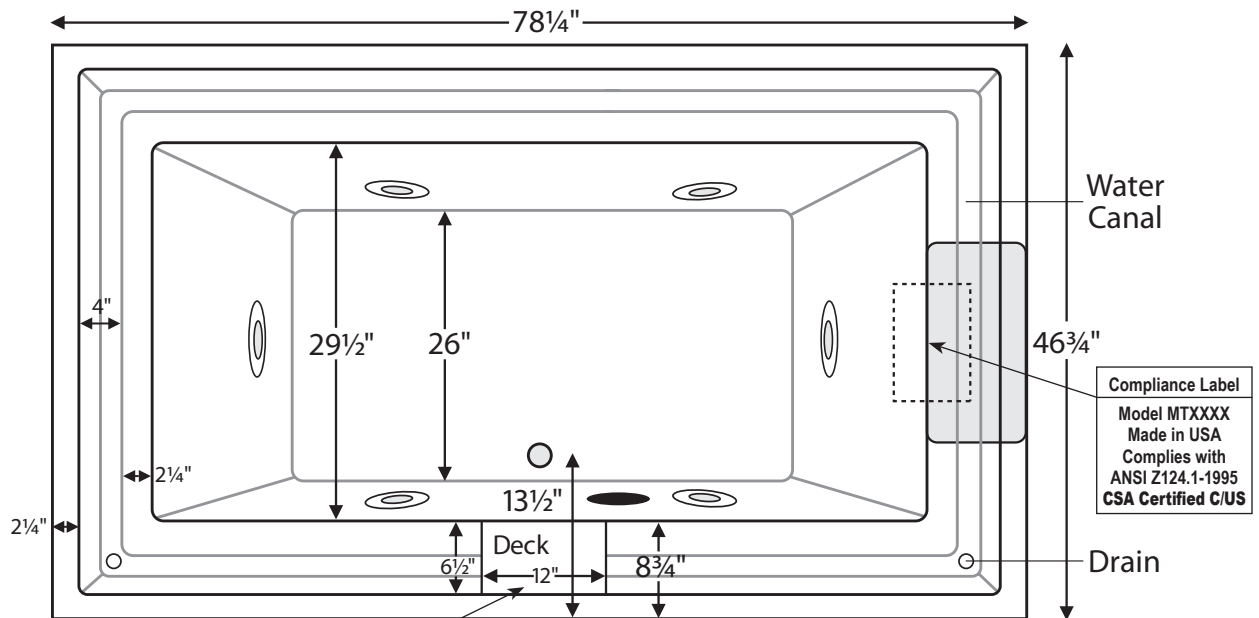
(Continued) with Optional Single Deck

SINGLE MOUNTING DECK FEATURES

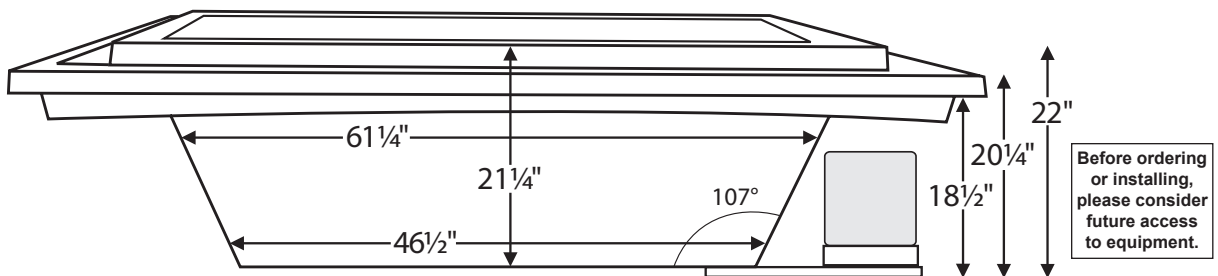
- In order to accommodate the installation of various fixtures and controls, Caribe may be ordered with a single mounting deck.
- This 12" x 6½" deck is positioned in the center of the water canal.
- It may be positioned on either the front or rear side of the tub.
- This provides a mounting surface for spout and hot and cold mixing valves, if they are not wall-mounted.
- If the spout and valves are wall-mounted, the deck would accommodate controls for the whirlpool and / or air bath.
- A deck is **required** for mounting the whirlpool controls.
- Deck does not interrupt the operation of the overflow function.
- If more mounting space is required, see reverse side for Caribe with Dual Decks.
- **Must be specified at the time of ordering.**



Caribe shown above with single mounting deck.



Solid surface deck provides a mounting area for fixtures and controls, such as Fill-Flush®, Breda or Hand-Held Shower locations.



IMPORTANT: If you are planning to use a glass enclosure, MTI must be advised when ordering for possible relocation of controls.

INSTALLATION: Add 1"-3" to height of tub for bedding compound. MTI recommends Quickrete Sand Mix. Air Baths add approximately 2"-3" to height of tub. Please measure tub before building tub decking. Suction and control locations may vary. Drawing shows best pump location. Alternate locations available—call MTI for details. Measurements are ± 1/2" and are subject to change without notice. Data herein supersedes all previous prior to publication date shown below. Tubs with more than one pump or blower will require additional service access.



Caribe MTDS-89

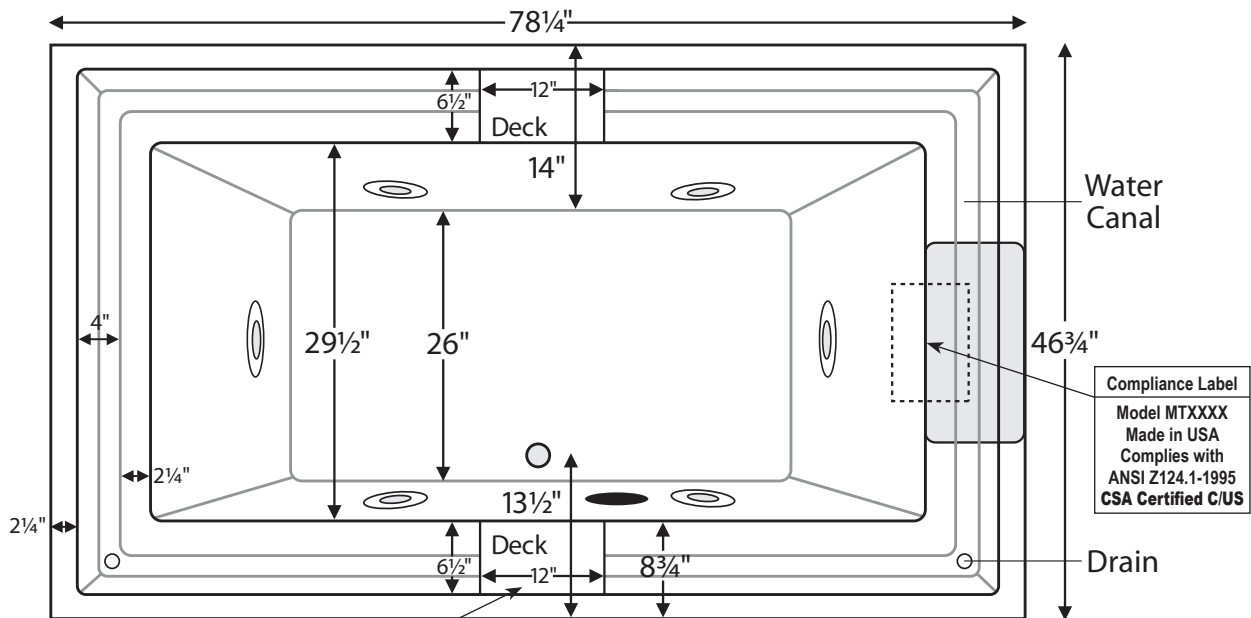
(Continued) with Optional Dual Decks

DUAL MOUNTING DECKS FEATURES

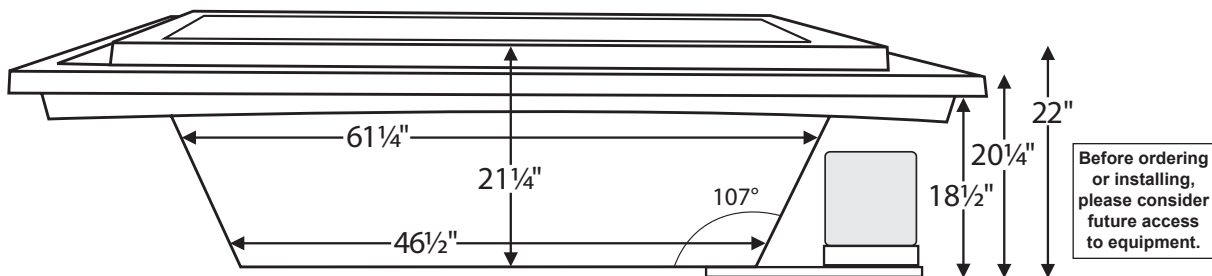
- In order to accommodate the installation of various fixtures and controls, Caribe may be ordered with dual mounting decks.
- These 12" x 6½" decks are positioned in the center of the water canal.
- One is located at the front of the tub, the second at the rear.
- Two decks are necessary when space for fixtures and multiple controls is required.
 - One deck would provide a surface for the spout and hot and cold mixing valves.
 - The second deck would house the air bath and / or whirlpool controls.
- A deck is **required** for mounting the whirlpool controls.
- Decks do not interrupt the operation of the overflow function.
- If less mounting space is required, see reverse side for Caribe with Single Deck.
- **Must be specified at the time of ordering.**



Caribe shown above with dual mounting decks.



Solid surface deck provides a mounting area for fixtures and controls, such as Fill-Flush®, Breda or Hand-Held Shower locations.



IMPORTANT: If you are planning to use a glass enclosure, MTI must be advised when ordering for possible relocation of controls.

INSTALLATION: Add 1"-3" to height of tub for bedding compound. MTI recommends Quikrete Sand Mix. Air Baths add approximately 2"-3" to height of tub. Please measure tub before building tub decking. Suction and control locations may vary. Drawing shows best pump location. Alternate locations available—call MTI for details. Measurements are ± 1/2" and are subject to change without notice. Data herein supersedes all previous prior to publication date shown below. Tubs with more than one pump or blower will require additional service access.

