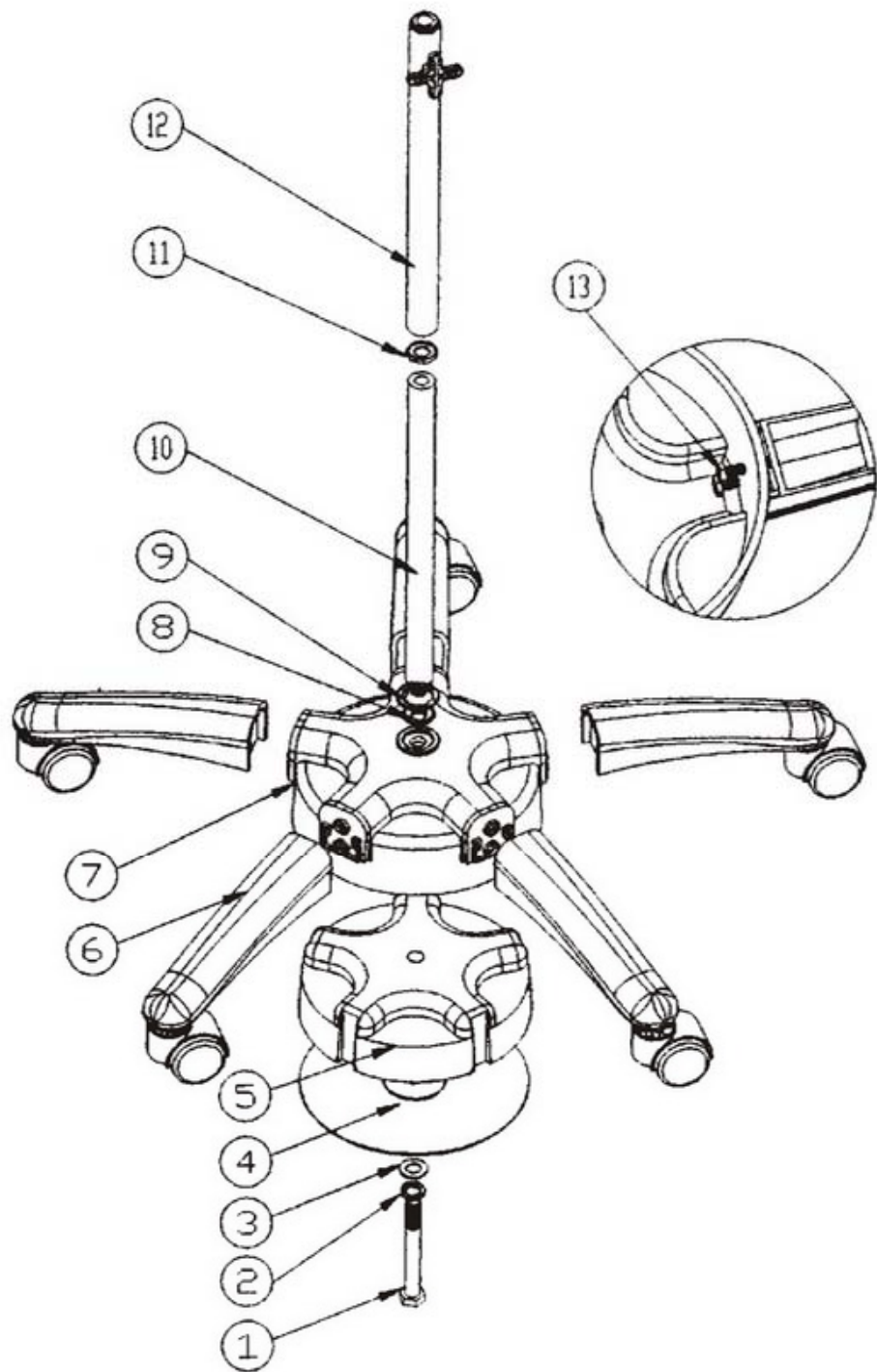


MAGNIFIER LAMP

NO.: 8066LED

Thank you very much for purchasing our Magnifier Lamp. The Magnifier Lamp is ideal for precise work in home, office and workshop as well as a lot of other important places. Before using the Magnifier Lamp, please read the following instructions.

1. Important data:
 - A. Magnifier: \varnothing 127mm diameter, 3 diopter /5 diopter
 - B. Voltage: AC 110-120V 50Hz~60Hz
 - C. Bulb Type: LED 0.06W*90
2. How to use:
 - A. Before using, please remove all packing from around the lamp.
 - B. Clamp the lamp on a table, and make sure the stem of the arm inserted.
 - C. Insert the plug into a conveniently located electrical socket.
 - D. Switch on using the ON/OFF switch located on the top of the head
 - E. To place the head in the desired position.
3. Replacing the Tube:
 - A. Always switch off, remove the plug from the mains supply and allow the lamp to cool before changing the LED.
 - B. Rotate the head so you can see the underside. Using a suitable screwdriver remove the small screws that secures the diffuser to the head of the lamp.
 - C. Remove the diffuser and place safely to one side.
 - D. Remove the LED from the head and gently put onto the new LED ensuring it is pushed on fully.
 - E. Position the new LED into the head, replace the diffuser and tighten the 5 screws to hold it in place.
4. Caution for safe using:
 - A. Indoor use only.
 - B. Environment temperature:-20°C~40°C.
 - C. Humidity: \leq 95%.
 - D. Never disassemble the magnifier lamp unless you are a qualified electrician.
 - E. Plug must be taken out while repairing the magnifier lamp.
 - F. Never leave the lens unattended in direct sunlight or where light can shine through it. This constitutes a fire hazard.
 - G. If the external flexible cable or cord of this magnifier lamp is damaged, it shall be exclusively replaced by the manufacturer or his service agent or a similar qualified person in order to avoid a hazard.



1. Open the package; take out the No.7 part and five feet No.6 part.
2. Fix the No.7 part and five feet No.6 part by the screw No. 13 part.
3. Assemble the parts (No.1, No.2, No.3, No.4, No.5, No.8, No.9, No.10) one by one (Reference the picture). Do not forget to screw the No.1 part tightly.
4. Assemble No.11 part and No.12 part one by one, and screw No.12 part tightly.