



Backwash Shampoo System



PACIFIC 

This hardware is included

Hardware



Hexagonal bolt



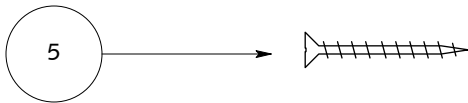
Washer



Nut

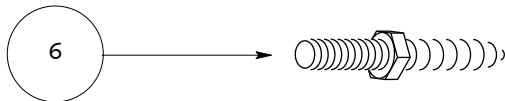


Cap nut

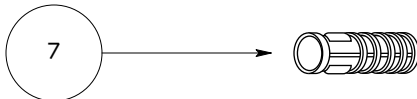


Countersink screw

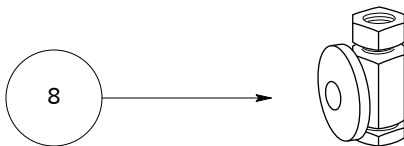
This hardware is NOT INCLUDED



Hanger bolt or other fastener suitable for floor construction. 5 required. NOT INCLUDED. OBTAIN LOCALLY.



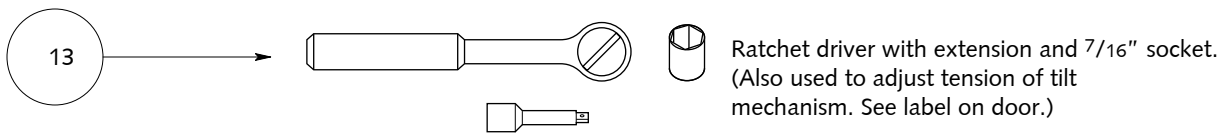
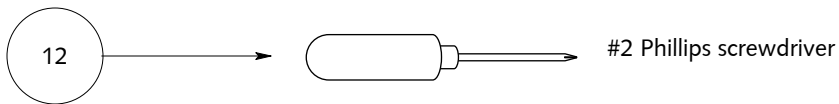
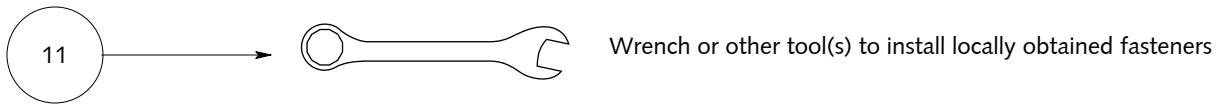
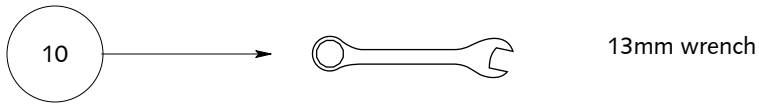
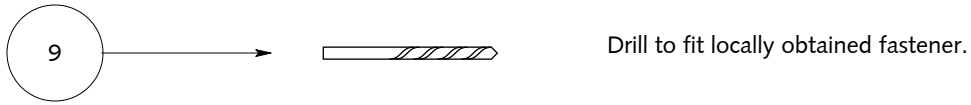
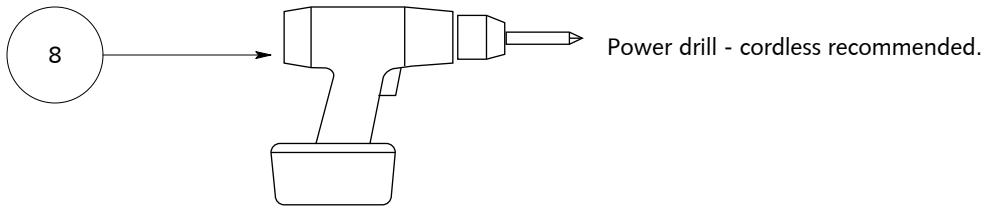
Lead anchor or other fastener suitable for floor construction. 5 required. NOT INCLUDED. OBTAIN LOCALLY.



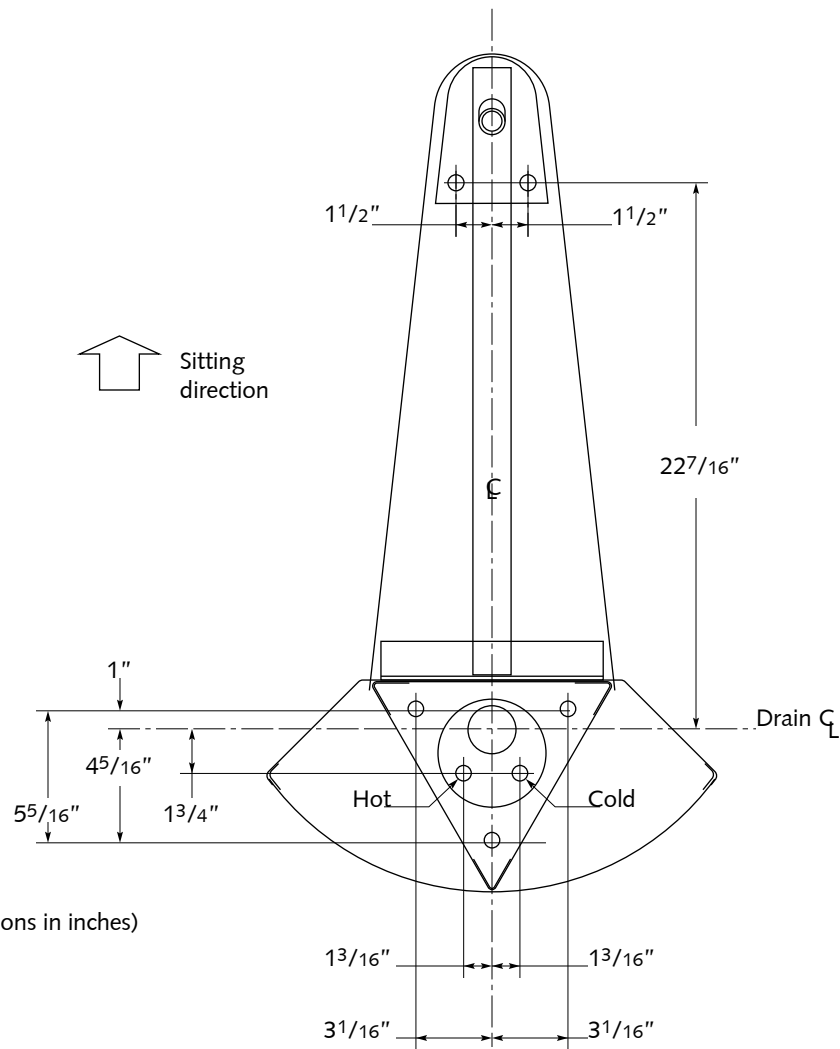
Water shut-off valve. 1/2" NPT. 2 required. NOT INCLUDED. OBTAIN LOCALLY.

Produced by: J. Baer Ersteller:Date Etabli par Responsible	Amended: 12.2005 Ertellungsdatum: Etabli le Fecha de elaboracion	Version geändert: Modife modificado	Version: 1 Version Version Version	Backwash System Backwash System Backwash System Backwash System	Pacific Pacific Pacific Pacific
---	---	--	---	--	--

These tools are required

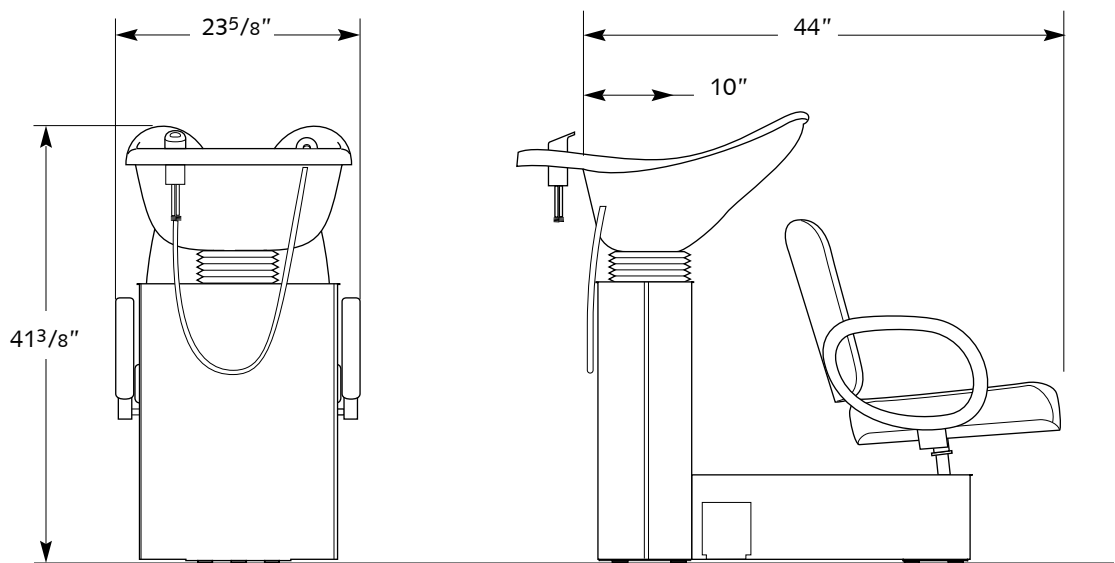


Produced by: J. Baer Ersteller:Date Etabli par Responsible	Amended: 12.2005 Ertellungsdatum: Etabli le Fecha de elaboracion	Version geändert: Modife modificado	Version: 1 Version Version Version	Backwash System Backwash System Backwash System Backwash System	Pacific Pacific Pacific Pacific
---	---	--	---	--	--

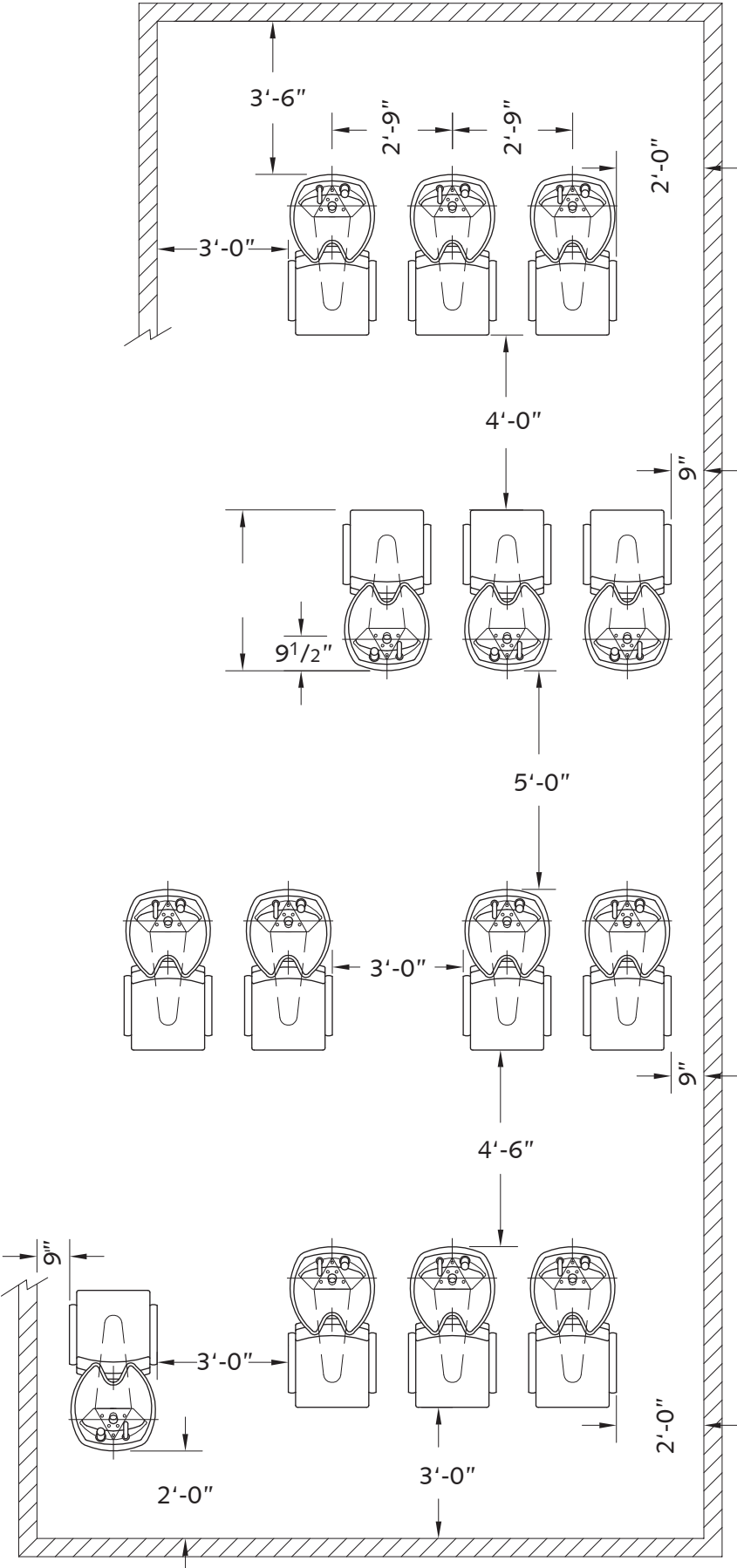


↑  
Sitting  
direction

(Dimensions in inches)



Produced by: J. Baer Ersteller:Date Etabli par Responsible	Amended: 12.2005 Ertellungsdatum: Etabli le Fecha de elaboracion	Version geändert: Modife modificado	Version: 1 Version Version Version	Backwash System Backwash System Backwash System Backwash System	Pacific Pacific Pacific Pacific
---	---	--	---	--	--

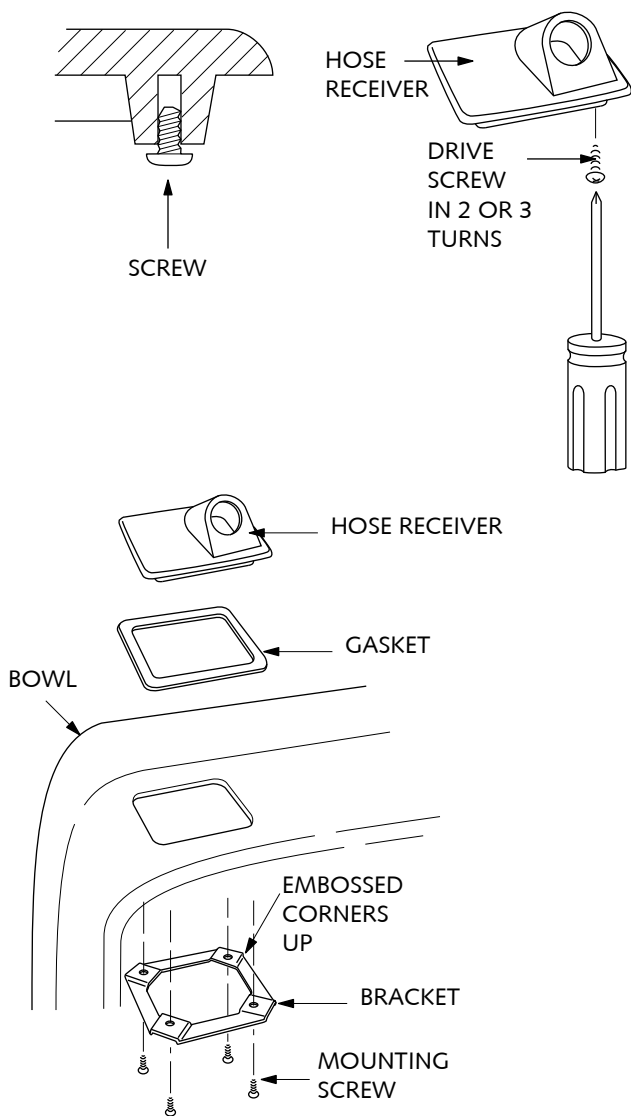


Produced by: J. Baer Ersteller: Date Estable par Responsable	Amended: 12.2005 Erstellungsdatum: Estable le Fecha de elaboracion	Version geändert: Modife modificado	Version: 1 Version Version Version	Backwash System Backwash System Backwash System Backwash System	Pacific Pacific Pacific Pacific
---	---	--	---	--	--

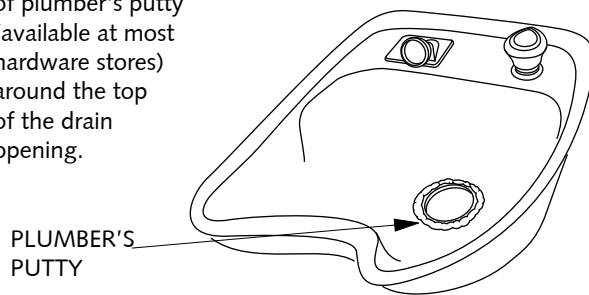
**IMPORTANT NOTES:**

Read through these instructions before beginning work to familiarize yourself with the various components. Install the fixtures in the bowl before attaching the bowl to the metal base. You may need to work with a helper to install these units. Any conformance with LOCAL CODES or INSPECTIONS is the RESPONSIBILITY OF THE PURCHASER.

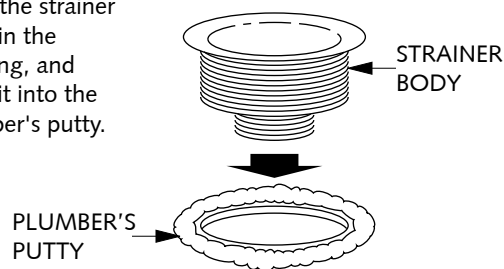
1. Install the hose receiver. To make hose receiver installation easier, complete these steps to cut screw threads in the hose receiver mounting holes:
  - Take a mounting screw and drive it 2 or 3 turns into one hole. **DO NOT OVERTIGHTEN.**
  - Remove the screw.
  - Repeat for all four (4) mounting holes.
2. Place the hose receiver gasket on the bottom of the hose receiver. Place the hose receiver onto the bowl.
3. Fasten the hose receiver to the bowl with four screws and the bracket. Be sure the embossed corners of the bracket are against the underside of the bowl (facing up).



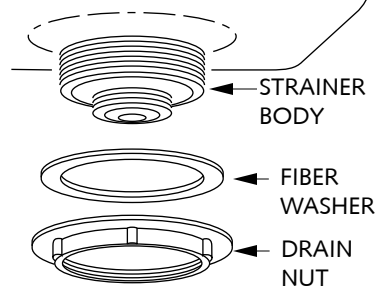
4. Apply a liberal amount of plumber's putty (available at most hardware stores) around the top of the drain opening.



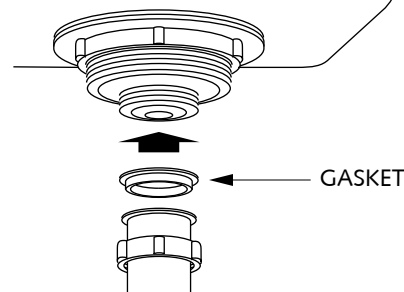
5. Place the strainer body in the opening, and press it into the plumber's putty.



6. From the underside of the bowl, place the fibre washer over the strainer body. Secure the strainer body with the nut. **DO NOT OVERTIGHTEN.** When the strainer body is tightened securely to the bowl, clean off any excess plumber's putty.



7. Attach the gasket and tailpiece to the strainer body. **DO NOT OVERTIGHTEN.**

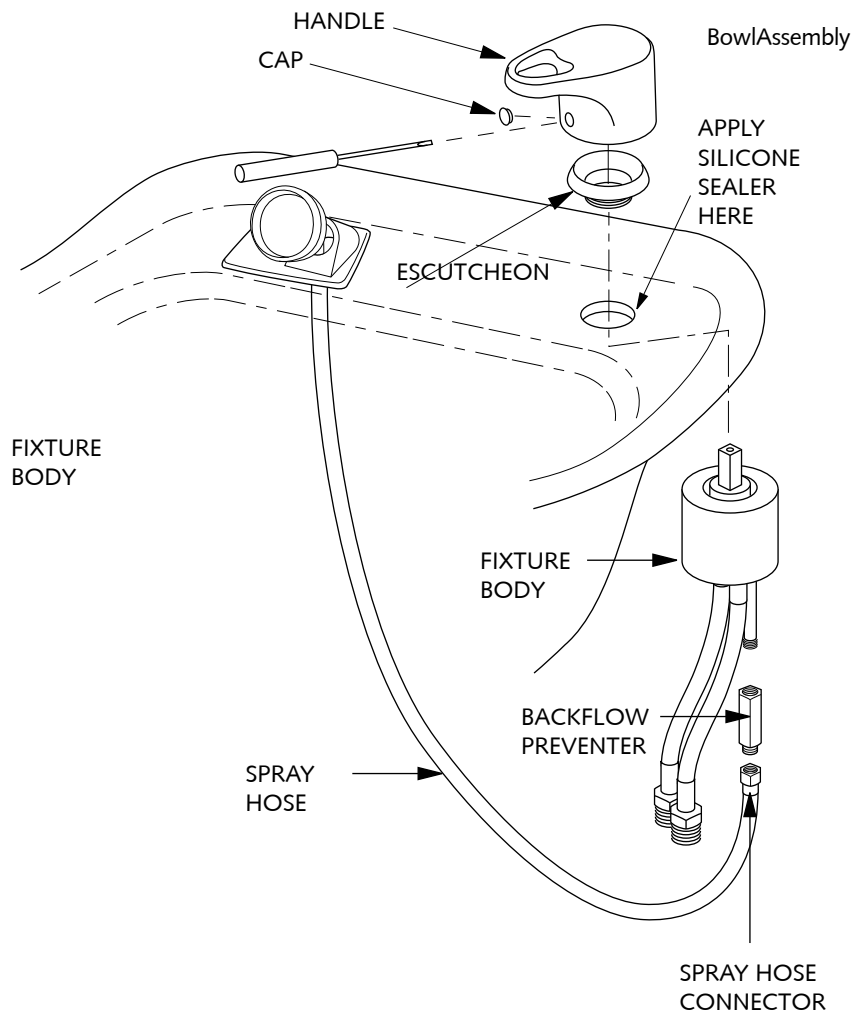


Produced by: J. Baer Ersteller:Date Etabli par Responsible	Amended: 12.2005 Ertellungsdatum: Etabli le Fecha de elaboracion	Version geandert: Modife modificado	Version: 1 Version Version Version	Backwash System Backwash System Backwash System Backwash System	Pacific Pacific Pacific Pacific
---	---	--	---	--	--

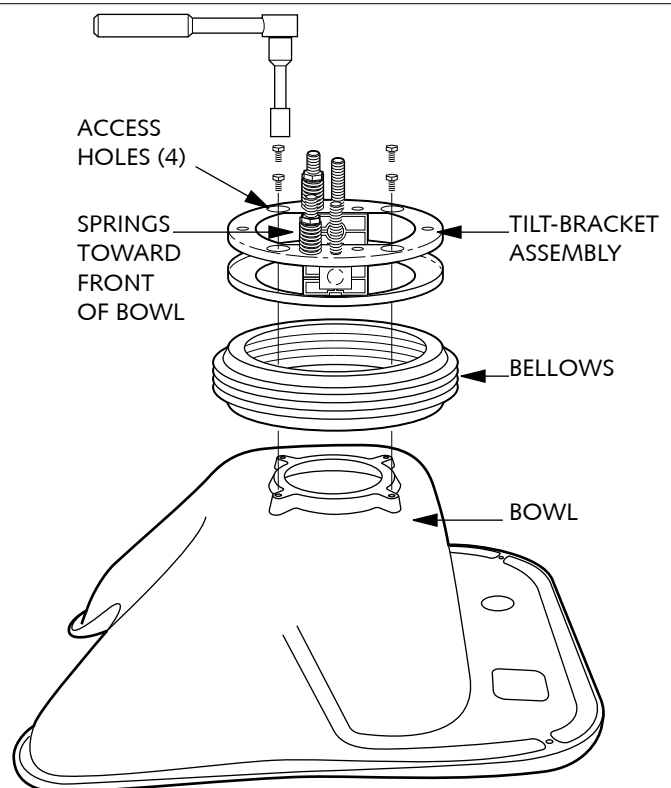
8. Install the single-handle fixture.
9. Remove the blue and red button from the front of the handle.
10. Using a small, flat-blade screwdriver, loosen the set-screw in the handle and lift the handle off of the fixture.
11. Apply a bead of silicone sealer around the fixture hole in the bowl.
12. Place the fixture body on the underside of the fixture hole.
13. From the top side of the bowl, screw the escutcheon onto the fixture.
14. Place the handle onto the fixture. Tighten the set screw located in the hole for the button.
15. Replace the button with the red side to the left, blue side to the right.
16. Connect the hot and cold supply lines.

**IMPORTANT!** To prevent distorting or collapsing the inlet hose on the fixture, use a wrench to hold the connector fitting on the inlet hose when tightening the supply line connection.

**IMPORTANT!** Code-approved flexible reinforced connector hoses or pipes **MUST** be used to connect the fixture to the hot and cold supply stubs.



17. Assemble the bowl, bellows and tilt-bracket assembly.
18. Stretch the bellows over the tilt bracket assembly.
19. Align the tilt bracket assembly and bellows with four mounting holes on the bottom of the bowl. The springs should be oriented toward the front of the bowl.
20. Fasten the tilt bracket and bellows to the bowl with four hex head bolts provided. A 1/4" - drive or 3/8" - drive ratchet wrench with an extension and 7/16" socket will make this easier. Note that there are four large access holes in the spring side of the bracket assembly.

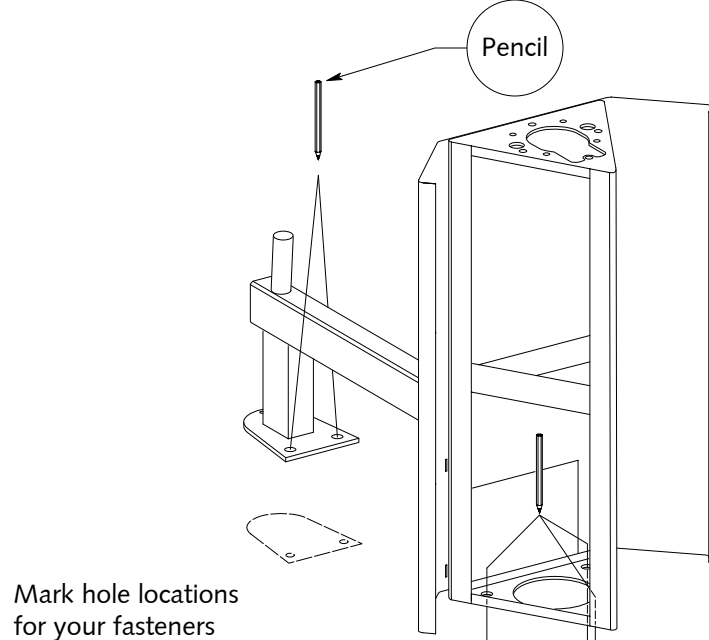
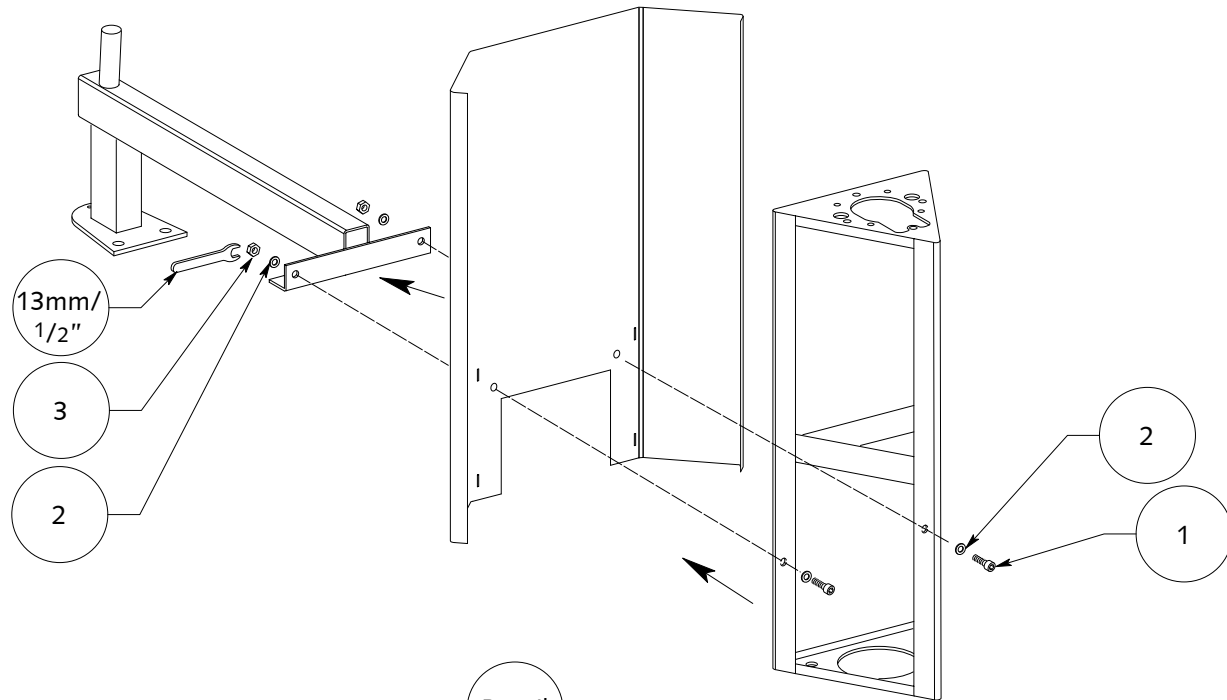


Produced by: J. Baer Ersteller:Date Etabli par Responsible	Amended: 12.2005 Ertellungsdatum: Etabli le Fecha de elaboracion	Version geändert: Modife modificado	Version: 1 Version Version Version	Backwash System Backwash System Backwash System Backwash System	Pacific Pacific Pacific Pacific
---	---	--	---	--	--

**IMPORTANT NOTES:**

It is the responsibility of the purchaser and/or the installer to check local plumbing codes regarding horizontal drains and venting. Local venting codes may prohibit ganging units.

Please read through these instructions before beginning work to familiarize yourself with the various components. You may need to work with a helper to install these units.

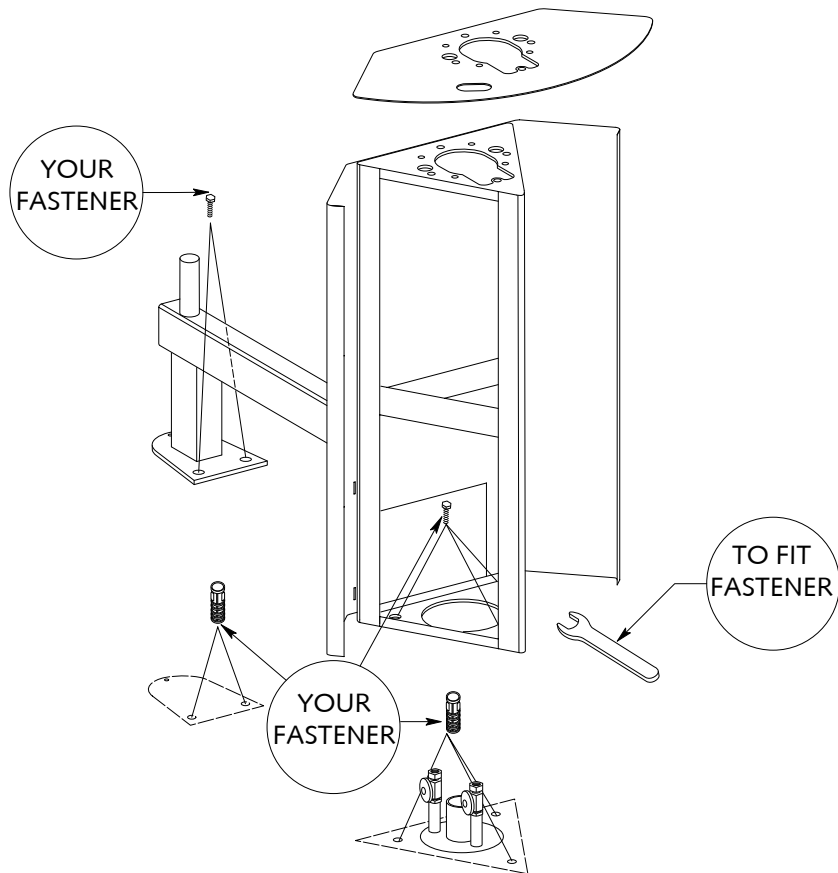
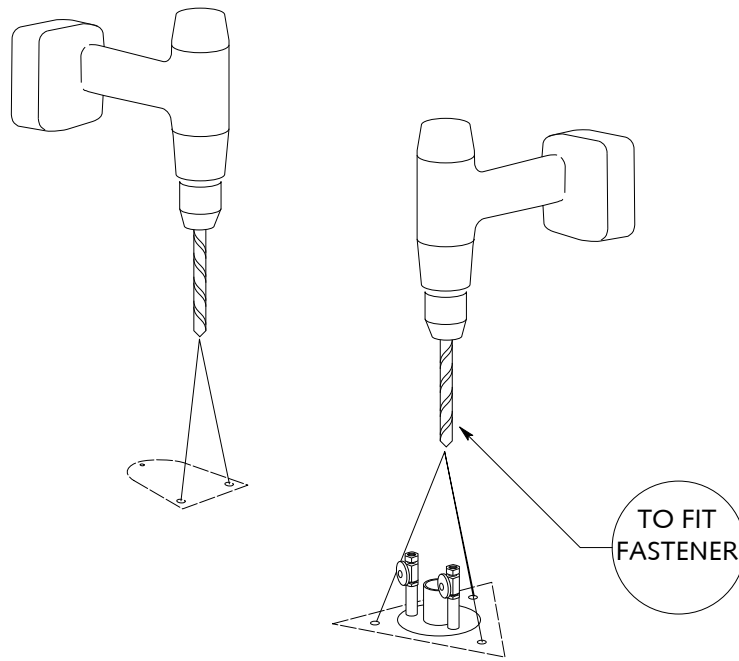


Mark hole locations for your fasteners

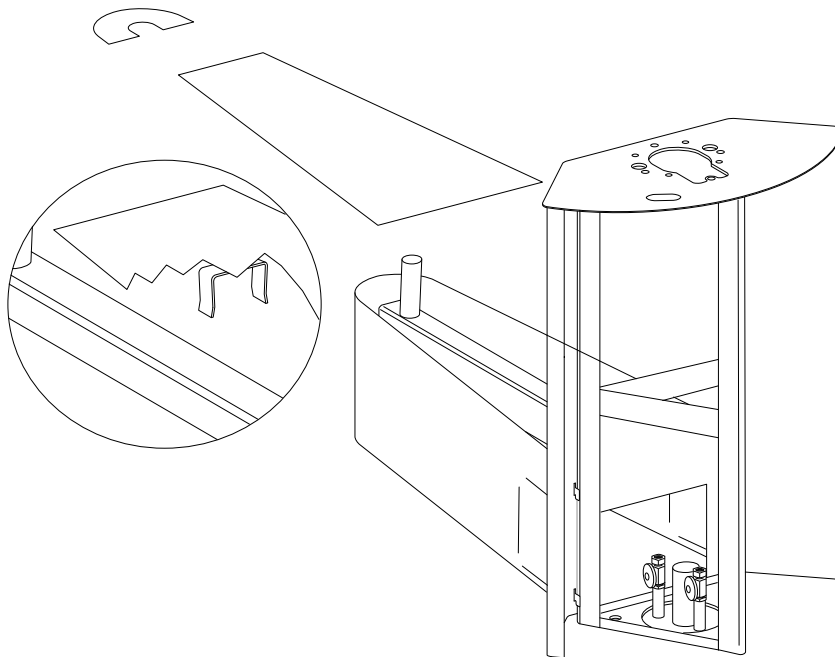
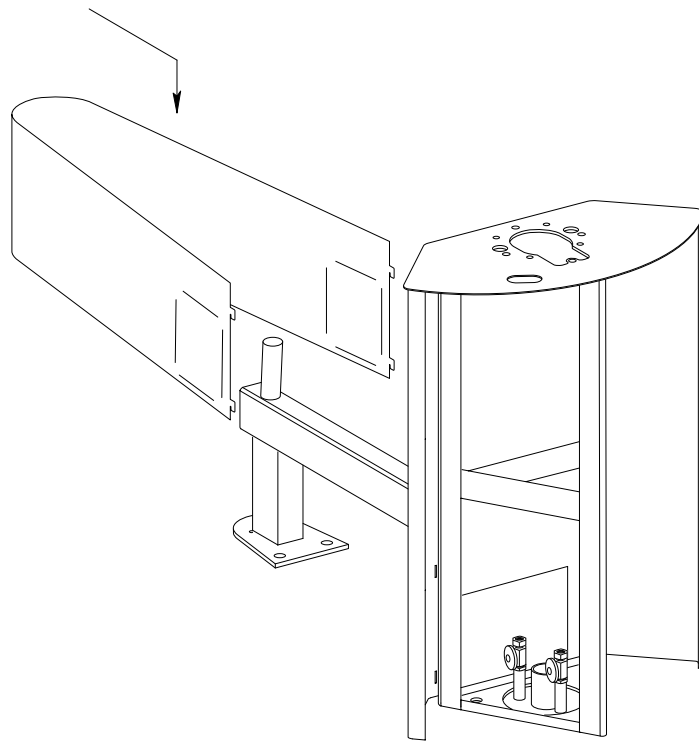
Install hot and cold shut-off valves. (Obtain shut-off valves locally.)

Produced by: J. Baer Ersteller:Date Etabli par Responsible	Amended: 12.2005 Ertellungsdatum: Etabli le Fecha de elaboracion	Version geandert: Modife modificado	Version: 1 Version Version Version	Backwash System Backwash System Backwash System Backwash System	Pacific Pacific Pacific Pacific
---	---	---	---	--	--





Produced by: J. Baer Ersteller:Date Etabli par Responsible	Amended: 12.2005 Ertellungsdatum: Etabli le Fecha de elaboracion	Version geändert: Modife modificado	Version: 1 Version Version Version	Backwash System Backwash System Backwash System Backwash System	Pacific Pacific Pacific Pacific
---	---	--	---	--	--

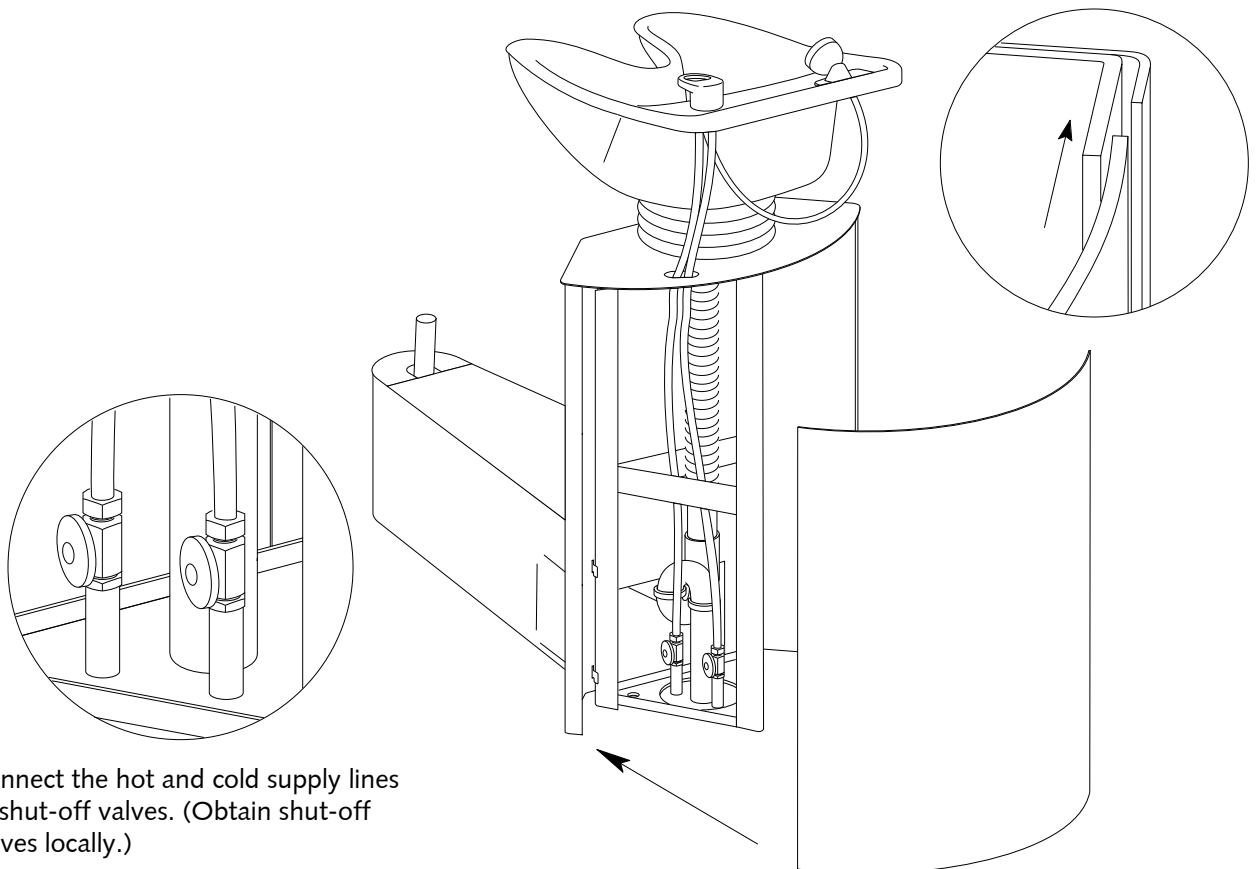
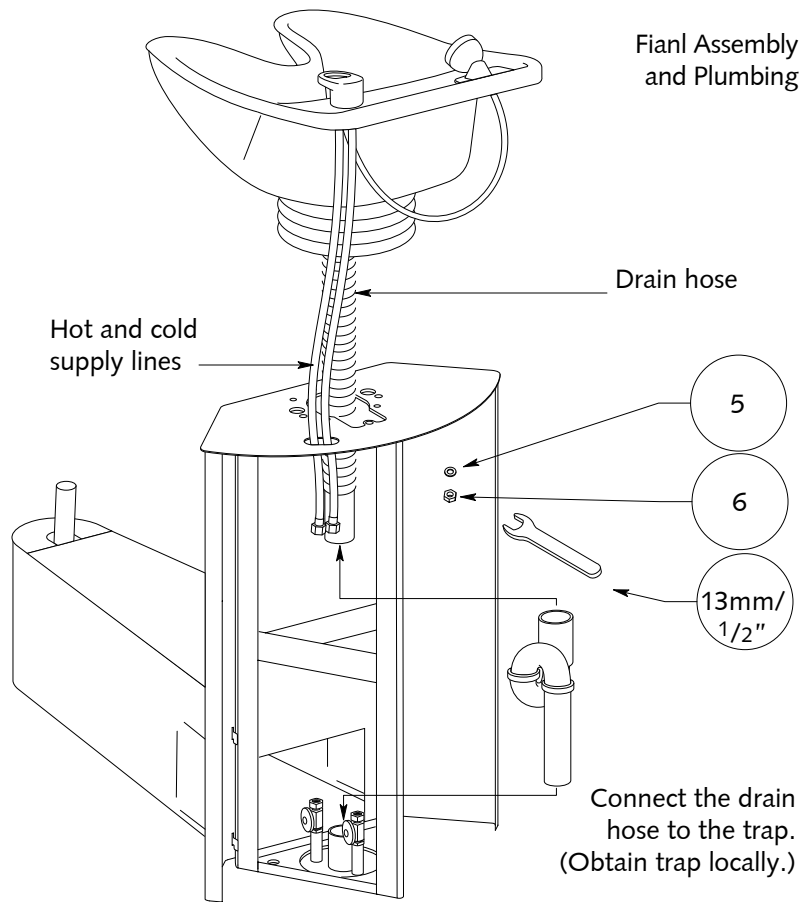


Produced by: J. Baer Ersteller:Date Etabli par Responsible	Amended: 12.2005 Ertellungsdatum: Etabli le Fecha de elaboracion	Version: geändert Modifié modificado	Version: 1 Version Version Version	Backwash System Backwash System Backwash System Backwash System	Pacific Pacific Pacific Pacific
---	---	---	---	--	--

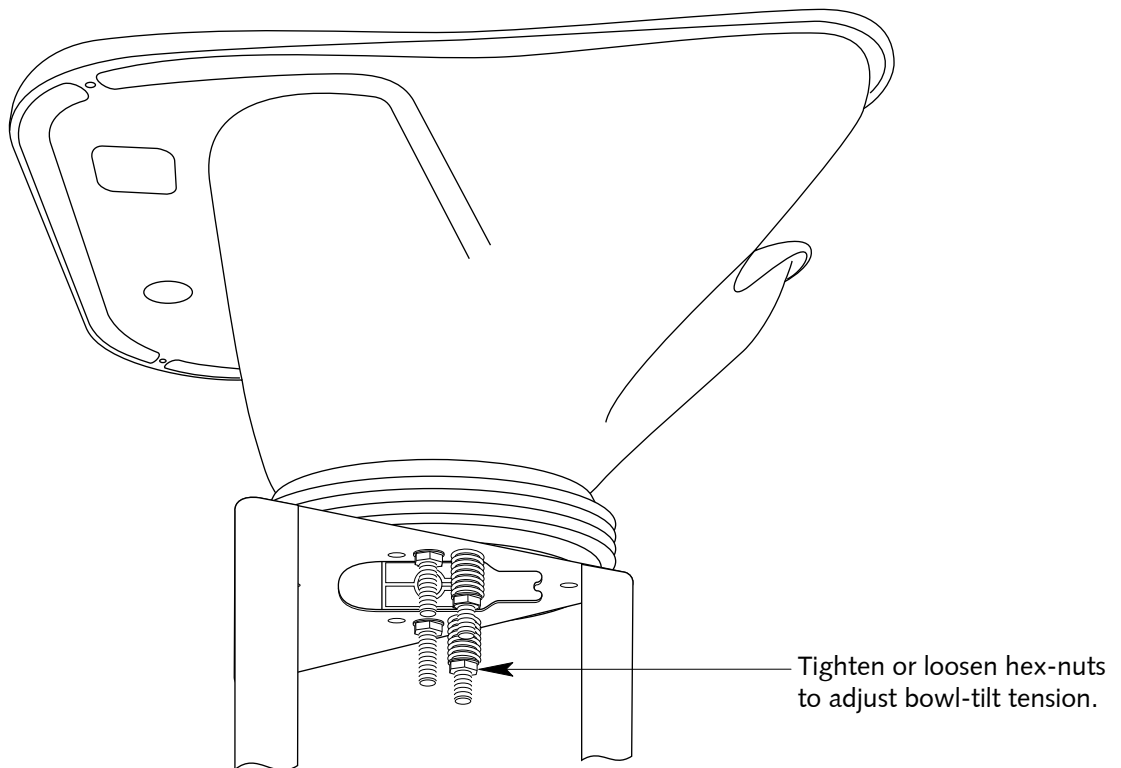
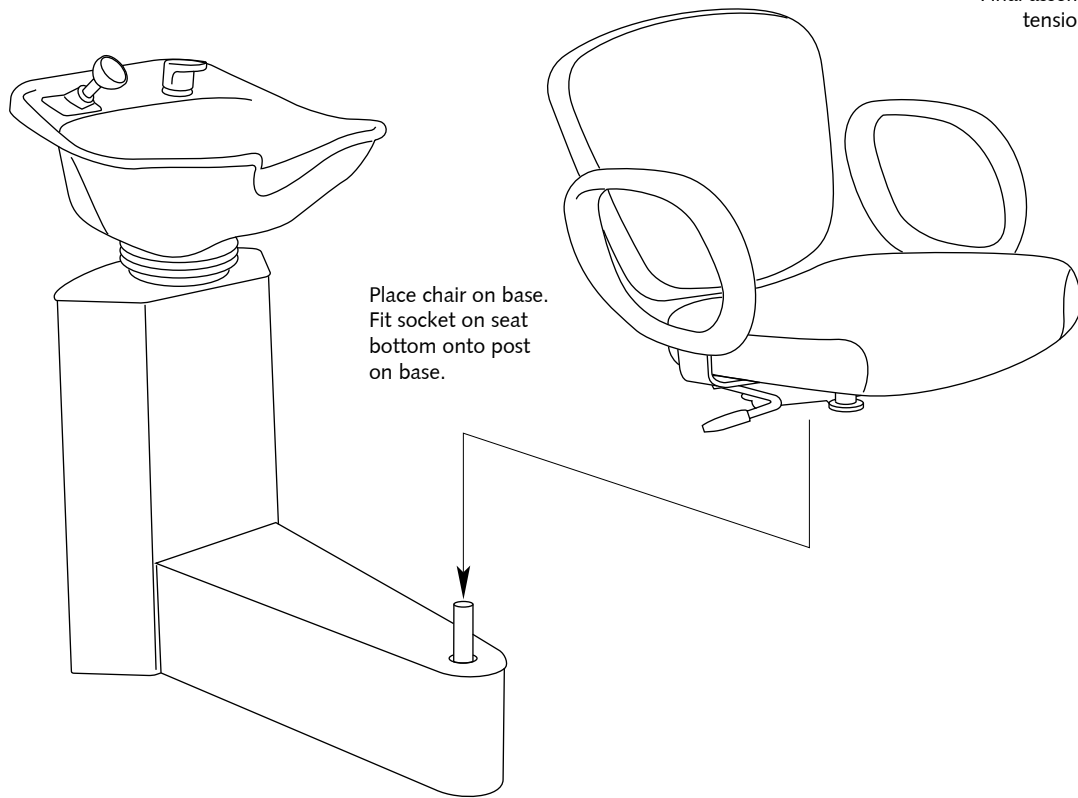
**IMPORTANT!**

It is the responsibility of the plumber/installer and the owner to make certain that the installation meets and conforms to all prevailing local codes.

Fianl Assembly and Plumbing



Produced by: J. Baer Ersteller:Date Etabli par Responsible	Amended: 12.2005 Ertellungsdatum: Etabli le Fecha de elaboracion	Version: geandert Modife modificado	Version: 1 Version Version Version	Backwash System Backwash System Backwash System Backwash System	Pacific Pacific Pacific Pacific
---	---	--	---	--	--



Produced by: J. Baer Ersteller:Date Etabli par Responsible	Amended: 12.2005 Ertellungsdatum: Etabli le Fecha de elaboracion	Version: geandert Modife modificado	Version: 1 Version Version Version	Backwash System Backwash System Backwash System Backwash System	Pacific Pacific Pacific Pacific
---	---	--	---	--	--