

# Shampoo Bowls

**3100 CAMEO BOWL  
3800 ALPHA BOWL**

## PORCELAIN ENAMEL SHAMPOO BOWL WITH MODEL 522 FIXTURE AND 603 BACKFLOW PREVENTER INSTALLATION AND PLUMBING

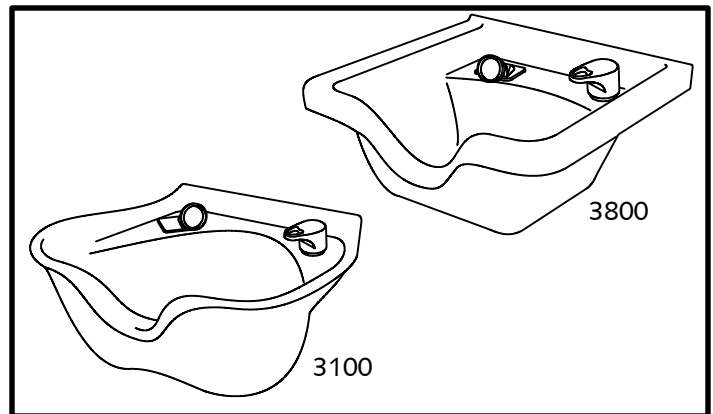
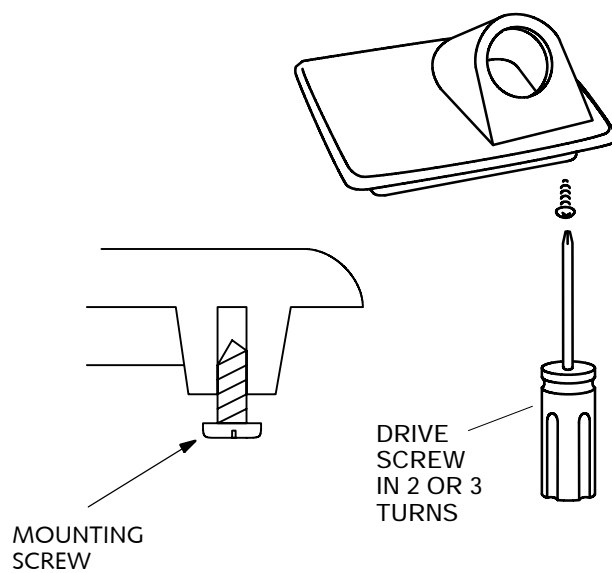
**NOTE:** Read the instructions through before starting to familiarize yourself with the components.

Any conformance with LOCAL CODES or INSPECTIONS is the RESPONSIBILITY OF THE PURCHASER.

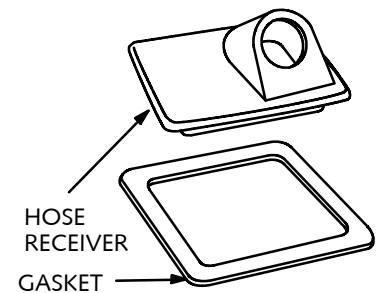
1. Attach the fixture to the bowl according to the instructions packed with the fixture.

## ATTACH HOSE RECEIVER TO BOWL (STEPS 2 thru 4).

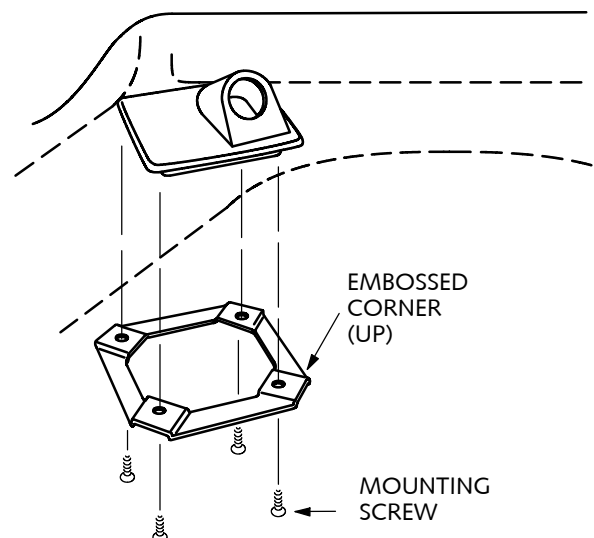
2. To make hose receiver installation easier, complete these steps to cut screw threads in the mounting holes:
  - Take a mounting screw and drive it 2 or 3 turns into one hole.**DO NOT OVERTIGHTEN.**
  - Remove the screw.
  - Repeat for all four (4) mounting holes.



3. Place the gasket over the flange on the bottom of the hose receiver.



4. Place the hose receiver and gasket in the bowl. Install the Mounting Bracket on the bottom side of the Bowl with four (4) embossed corners facing upward, against the bottom of the Bowl. Secure with four (4) Screws.
- DO NOT OVERTIGHTEN.**

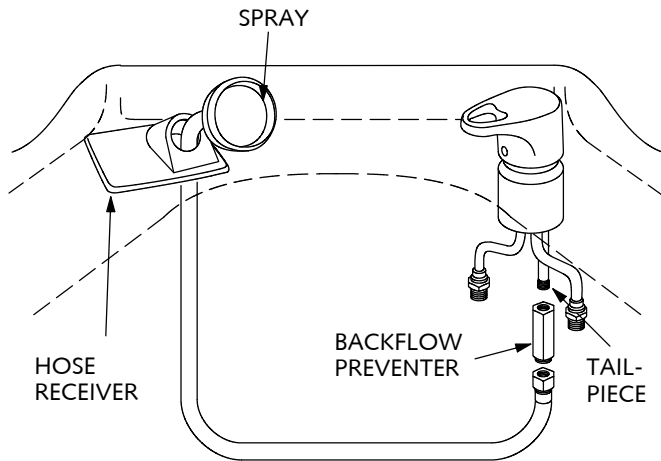


**Belvedere USA Corporation**

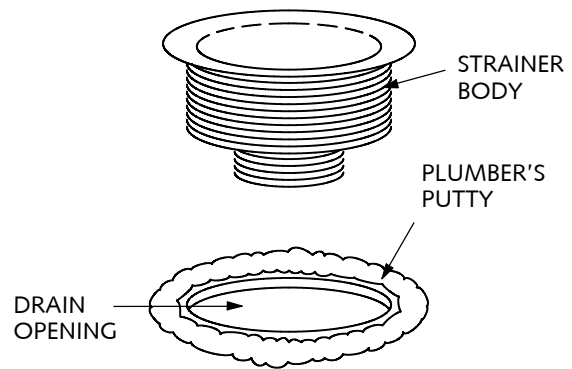
A wholly owned subsidiary of The Wella Corporation  
One Belvedere Boulevard, Belvedere, Illinois 61008  
Printed in U.S.A. E.C.O. 9162 4001146 Rev. 04-05

**belvedere**

5. Attach the backflow preventer to the fixture tailpiece. Do not overtighten. Place the end of the spray hose with the brass connector through the hole in the hose receiver. Attach the Spray Hose connector to the backflow preventer.

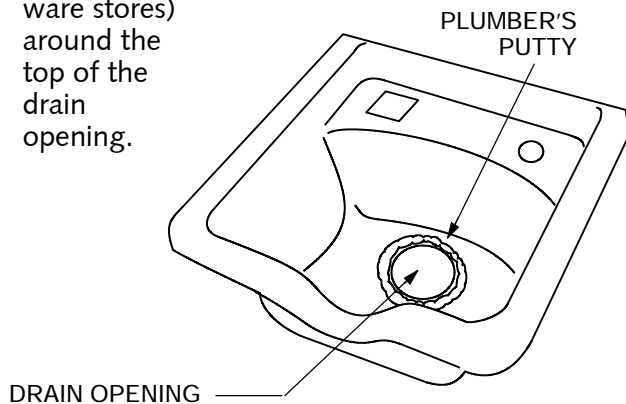


7. Place the strainer body in the opening, and press it into the plumber's putty.

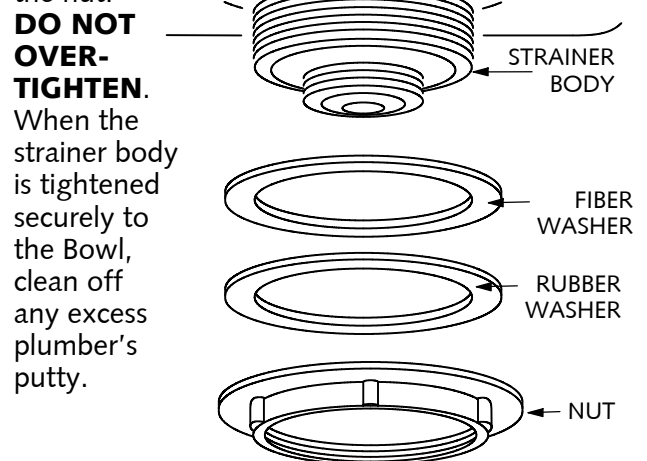


## INSTALL THE DRAIN ASSEMBLY (STEPS 6-9)

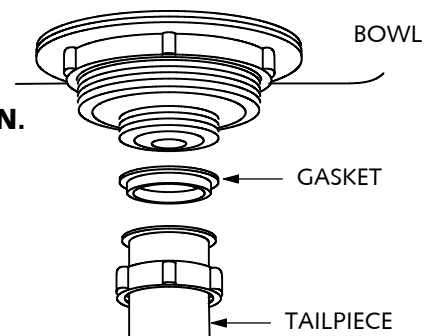
6. Apply a liberal amount of plumber's putty (available at most hardware stores) around the top of the drain opening.



8. From the underside of the Bowl, place the fiber and rubber washers over the strainer body. Secure the strainer body with the nut. **DO NOT OVERTIGHTEN.**

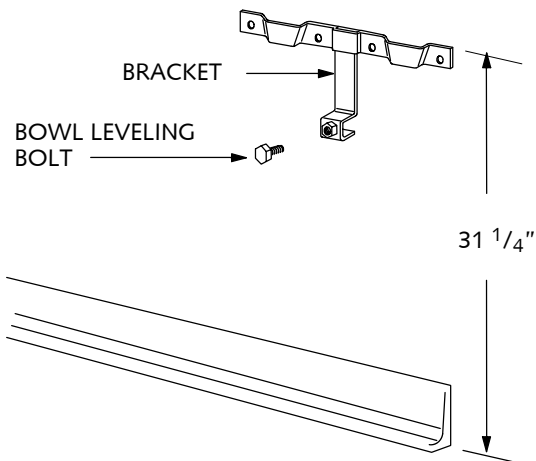


9. Attach the gasket and tailpiece to the strainer body. **DO NOT OVERTIGHTEN.**

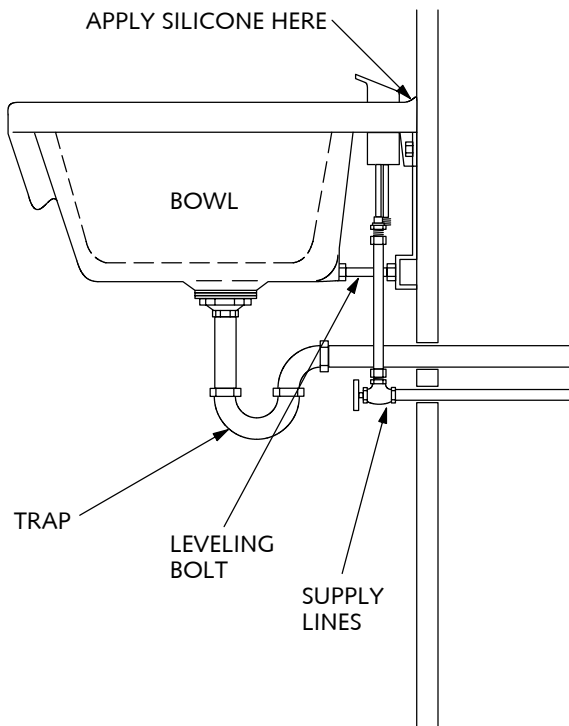


## TO MOUNT THE 3100 and 3800 BOWLS TO THE WALL (STEPS 10 THRU 12)

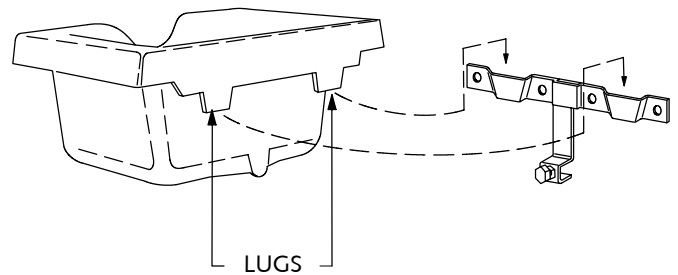
10. Install the Wall Bracket so that the top edge is 31-1/4" from the finished floor. (This bracket height is suggested to obtain the most suitable neckrest height. However, the bracket height may be varied to suit personal preference.) Be sure that the Bracket is securely fastened to a structural member in the wall. Also, be sure the Bracket is level. Install the Leveling Bolt into the Wall Bracket.



11. Check to be sure the Bowl is level side-to-side and front-to-back. Connect the Fixture to the hot and cold supply lines. Install the trap and connect the drain. Apply a bead of silicone to the back edge of the Bowl to seal it to the wall.



12. Mount the Bowl onto the Wall Bracket by lowering the Lugs on the back of the Bowl into the Wall Bracket.



## CLEANING INSTRUCTIONS

Paste wax monthly to preserve and protect against common soils.

With normal care your bowl will last many years.

CLEAN ONLY WITH A NON-ABRASIVE LIQUID CLEANER.

Dow Tub & Tile Cleaner®

409®

Mr. Clean®

Fantastic®

DO NOT USE HARSH ABRASIVES  
These will dull the sparkling surface.

See back page for rough-in specifications.

**ALL PLUMBING TO BE PLANNED AND PERFORMED BY A QUALIFIED PLUMBER**

## IMPORTANT NOTE:

It is the responsibility of the owner and/or the installer to be sure that the installation conforms to all local plumbing codes and regulations.

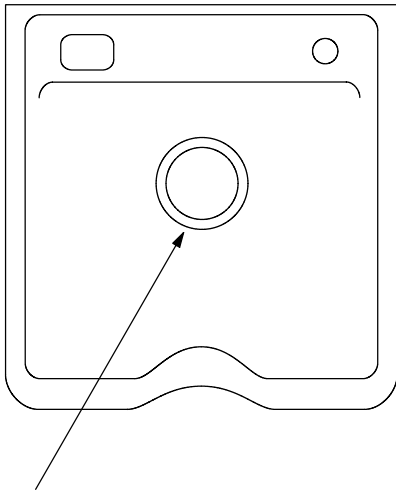
## ROUGH-IN PLUMBING SPECIFICATIONS.

This Shampoo Bowl is designed for optimum comfort when the Bowl Neckrest is at 31". However, this may vary to suit individual salon owners. SEE NOTE BELOW.

**Belvedere Recommends a Bowl Neckrest height of 31".**

To mount the Bowl at this height, locate the bracket height as shown in these specifications.

TOP  
VIEW



3 1/2" BASKET STRAINER

**IMPORTANT!  
DO NOT OVERTIGHTEN  
DRAIN ASSEMBLY!**

