



## Operating Instructions

### **Gharieni MLX Quarz heated sand bed**



**Gharieni Group GmbH**  
Gutenbergstraße 40  
D - 47443 Moers

**Service hotline:** +49 (0) 2841-88300-40  
**Email:** [service@gharieni.de](mailto:service@gharieni.de)  
**Web:** [www.gharieni.de](http://www.gharieni.de)

**Tel.:** +49 (0) 2841-88300-0  
**Fax:** +49 (0) 2841-88300-999

1. Safety symbols .....	3
2. General instructions .....	3
3. Points to note before use .....	3
4. Delivery .....	4
5. Carrying aid.....	4
6. Before first use .....	4
7. Type plate.....	5
8. Initial start-up .....	5
9. Safety instructions .....	6
10. Operation .....	6
10.1 Height .....	6
10.2 Inclination - Trendelenburg / Anti-Trendelenburg .....	6
10.3 Hand switch .....	7
10.4 Foot switch .....	8
10.5 Initialising the software .....	9
10.6 Reset.....	9
11. Options .....	9
12. Cleaning, care and disinfection .....	9
13. Repair and maintenance .....	10
14. Guarantee .....	10
15. Disposal .....	10
16. Troubleshooting .....	11
17. Technical specifications .....	12
18. Declaration of Conformity .....	13
19. Issue status .....	14

## 1. Safety symbols

You will find the following safety symbols in this manual:



Danger of electric current!

Make sure that the power outlet for the bed is earthed properly and has the right voltage (230V - 50Hz). Never let the electrical system or individual electrical components come into contact with water. Check the cables at regular intervals and contact our Customer Service Department if any damage is found.



Note! If this safety instruction is not observed, the user's safety is endangered and the bed may be damaged.



Do not dispose of this product as regular domestic waste at the end of its lifecycle, but hand it in to a collection site for recycling electronic and electrical devices. Do not remove the corresponding symbol from the product.



Hints and tips for use.

## 2. General

Dear Customer,

Congratulations on buying this high-quality product and thank you for your trust in us. We can assure you that you have made a very good choice with this bed. Make sure that you read these operating instructions before first using this bed. Reading these operating instructions is crucial to ensure that the bed is used properly and responsibly, and will help you to obtain optimum satisfaction from using your newly acquired product. Our Gharieni MLX Quarz heated sand bed is very robust and is constructed for a long service life, provided that it is used properly.

It is absolutely vital that you read these instructions carefully and only use the unit as instructed here. This will protect both your own and your clients' safety. Note! If this safety instruction is not observed, the user's safety is endangered and the bed may be damaged.

Keep the manual near to the bed!



**Keep children away from the bed.**



**Activate the bed's disabling function to prevent unauthorised use of the bed and whenever the bed is not in use (see section 10.3 on page 7).**

## 3. Points to note before use

1. The Gharieni MLX Quarz heated sand bed complies with the highest safety and quality standards.
2. Some parts are made from cultivated wood, a material which is subject to natural variations in colour and texture.
3. The wood "lives" on, even after it has been processed, and depending on the properties of the wood and the ambient climate conditions, cracks may occur and joints may open up.
4. In some models, the material is stained to achieve a specific colour. This colour may change slightly during the first few weeks after delivery until the surface oil has fully cured (does not apply to a painted surface).
5. None of the properties referred to in points 3.2. to 3.4. are reasons to put in a claim for defects.
6. The bed is to be used as follows, in keeping with its intended use: for thermal treatments of the human body using special sand (the enclosed polyurethane-coated sheet prevents the sand from sticking to the body) at ambient temperatures of +5°C to +40°C and a relative humidity of between 35% and 65% - non-condensing at 30°C.

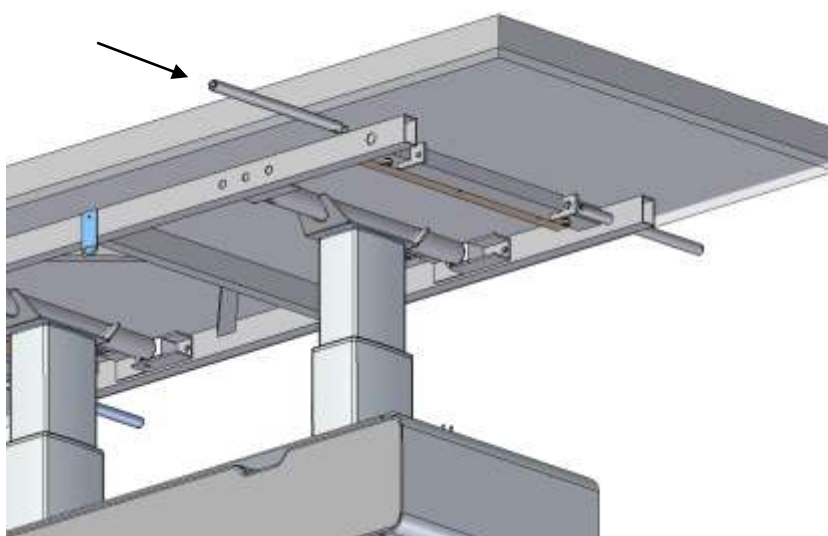
The load-bearing capacity of the Gharieni MLX Quarz is 150 kg. All adjustments of the treatment bed are motorised; the heated sand bed has two electric motors for this purpose. You can order the Gharieni MLX Quarz with hand or foot switch operation. Only one of these options forms a part of the standard scope of delivery. You can order the other switch as an optional extra at a surcharge. The hand or foot switch enables you to adjust the right height and inclination positions. The memory functions on the hand or foot switch can be used to store and call up the positions you use the most. You can always change and save them yourself (see section 10.3 on page 7). Two memory functions can be stored and called up using the foot switch (see section 10.4. on page 8).

#### 4. Delivery

In the event of delivery by a forwarding company, the beds are delivered on special pallets and in boxes. The bed is then fully horizontal and any upholstery, optionally available at a surcharge, is already in place.

#### 5. Carrying aid

Four removable carrying rods can be used to transport the bed. The four carrying rods must be screwed into the lower metal frame of the upper casing for this purpose.



Ideally, you should use the help of three more people to put the bed in the location of your choice.

#### 6. Before first use

Before first use make sure that all the parts below are present and that they are not visibly damaged.

- Bed with headrest cushion and nose slit cover
- 180 kg of quartz sand
- Sand cushion (optionally available at a surcharge)
- Thermal cover
- Hand or foot switch
- Upholstery (optionally available at a surcharge)
- Oil massage sheet (optionally available at a surcharge)
- Sand stamp (optionally available at a surcharge)
- Heat pan (optionally available at a surcharge)
- Sandor massage oil (optionally available at a surcharge)
- Operating Instructions

Before installing the bed, make sure that there is sufficient space for the bed. The minimum space required is 300 x 180 cm.

## 7. Type plate

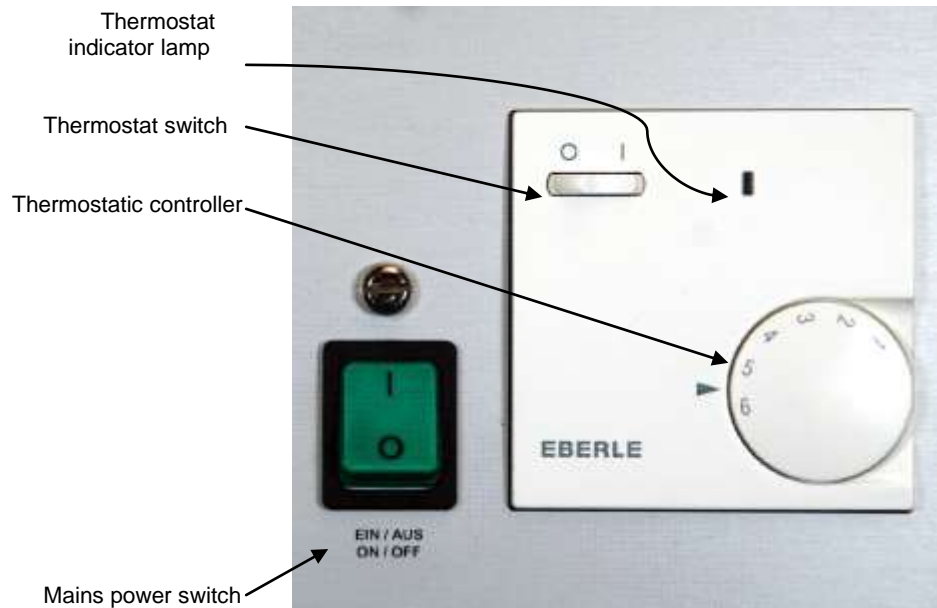


The type plate is located at the head end of the bed, on the left, next to the controls. It must never be made illegible nor removed as this might invalidate the guarantee.

## 8. Initial start-up



1. Place the bed such that all the controls are easy to reach and read. The surface must be straight, clean and non-slip.
2. After selecting the installation location, **only fill the enclosed special dry sand (approx. 180 kg), or refill sand as available from Gharieni, into the bed and spread it evenly. Note! Never fill more than 180 kg of special sand!**
3. Lay the sand cushions (if available) flat on the special sand. They will be heated automatically.
4. After using the bed, always spread the enclosed thermal cover over the sand to prevent the sand from cooling down.
5. The bed must be connected to a properly installed and earthed 230 VAC wall socket.
6. Connect the bed to the mains using the enclosed cold-device connection cable.
7. Switch on the green mains switch; the indicator lamp in the mains switch will light up.
8. Switch on the thermostatic switch; a small control indicator lamp lights up when the actual temperature is below the required temperature.
9. Set the thermostatic controller to 4 or 5. The sand has been properly heated through after approx. 10 hours. You can now regulate the heat in keeping with your requirements (preferably at night). All electric parts are suitable for continuous operation. In the event of daily use, keep the bed switched on.
10. Use the height adjustment function to lower the bed to its lowest position so that the person to be treated can get onto the bed. Then adjust the bed to the required treatment height (see section 10 on page 6).
11. To achieve an optimum effect of the special sand, the sand must be as close as possible to the body of the person who is being treated. To improve this effect, push some sand against the body of the person to be treated.
12. Return the bed to its lowest position to enable the person on the bed to get off the bed.



## 9. Safety Instructions



- **Note! Never use water or any other liquids for treatments, and/or never deposit water or other liquids onto the sand or into the bed!**
- **Note! Massage oils must not come into contact with the quartz sand! When performing oil massage treatments, only use the oil massage sheet that is available from Gharieni!**
- **Never touch the metal heating plate inside the casing with your skin as it is heated to high temperatures.**
- **Use only the enclosed special sand and/or refill sand as available from Gharieni for heating; do not use any other materials.**
- **Do not switch on the bed if it has not been filled completely with the special sand.**
- **Always consult a physician before treating people with acute pain, varicose veins, low blood pressure, inflammatory and/or infectious processes, and other diseases or afflictions which may constitute reasons why the heat or this form of lying on a treatment bed might not be good for such people.**

## 10. Operation

### 10.1 Height

The height of the Gharieni MLX Quarz can be adjusted from approx. 63 cm to approx. 88 cm.

The access height is approx. 63 cm. This height enables the client to get onto the bed from the side.

The height adjustment is operated electrically. Press the relevant function key on the hand or foot switch.

The two lifting columns can be controlled independently of each other so that the person on the bed can be placed in the Trendelenburg position.

The headrest cushion has a nose slit for back massages. The nose slit cover can be removed. A facial gel cushion, optionally available from Gharieni, can be placed on the headrest upholstery to provide extra support for the client's face.



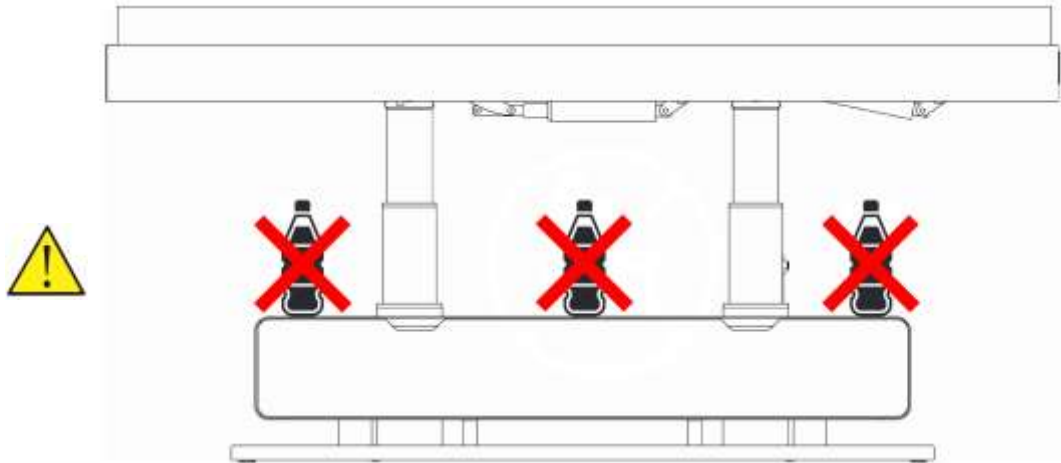
Facial gel cushion

### 10.2 Inclination - Trendelenburg/Anti-Trendelenburg

Press the corresponding row of keys on the hand switch to adjust the lying surface inclination in the required direction up to 16°. To prevent the base from colliding with the bed, the bed automatically moves up if the height achieved by adjusting the inclination is not yet sufficient.

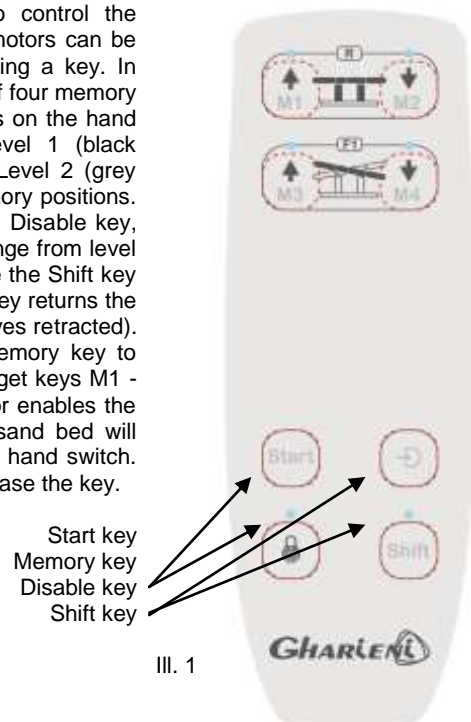
When changing over from Trendelenburg to Anti-Trendelenburg, the bed will stop in the horizontal position for one second. If you keep the key pressed, the bed will then move further.

**Risk of collision! There must not be any objects between the base and the upper casing!**



### 10.3 Hand switch

The hand switch (see ill.1) can be used to control the electrically operated functions. The two lifting motors can be adjusted individually to the first level by pressing a key. In addition, you can save and call up a maximum of four memory positions on the second level. There are 8 keys on the hand switch. The upper four have two levels. Level 1 (black marking) is used to adjust the lifting motors. Level 2 (grey marking) is for programming/calling up the memory positions. The lower keys are the Start key, Memory key, Disable key, and Shift key. You can use the Shift key to change from level 1 to level 2 and back. At level 2, the LED above the Shift key will light up; at level 1 the LED is off. The Start key returns the Gharleni MLX Quarz to its home position (all drives retracted). This cannot be changed. You can use the Memory key to program any positions of your choice on the target keys M1 - M4. The Disable key (only in level 1) disables or enables the hand switch. For safety reasons, the heated sand bed will only move while you are pressing a key on the hand switch. The movement stops immediately when you release the key.



#### Memory function:

You can use the memory function to save a maximum of 4 frequently used positions by means of the M1 to M4 keys on the hand switch (level 2).

#### Storing memory positions:

Set the position of your choice (on level 1).

Press the Shift key (to change levels and go to level 2); the LED above the Shift key will light up. Then press the Memory key and finally the relevant target key (M1 to M4). You will hear a beep if the position has been successfully saved to the memory.

#### Calling up memory positions:

To call up a pre-set bed position of your choice, press the Shift key (to change levels and go to level 2); the LED above the Shift key will light up. Now press the relevant Memory key (M1 to M4) until the position that was stored has been reached.

#### Disabling function when using the hand switch:

The bed has a disabling function to prevent unauthorised use.

### Disabling the bed:

To disable the bed, press and hold the key with the lock symbol for three seconds until you hear two beeps. The bed is now disabled.

### Enabling the bed:

To enable the bed, press the Shift key and then immediately press the key with the lock symbol while still holding the Shift key. Hold this key combination for approx. three seconds until you hear two beeps.

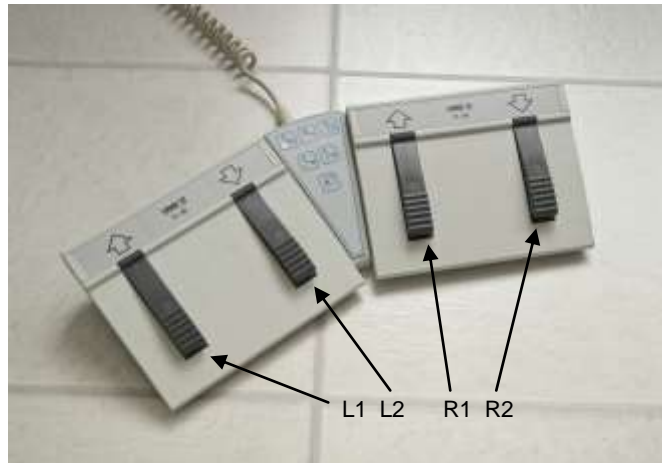


### In general:

**For safety reasons, the heated sand bed will only move while you are pressing a key on the hand switch. The movement stops immediately when you release the key.**

## 10.4 Foot switches

The foot switches (see ill. 2) can be connected as an option, in addition to the hand switch. The foot switch consist of right-hand (R) and left-hand (L) foot switches that are interconnected by an electronic unit (see ill.3) on which the LEDs are located.



Ill. 2    Ill. 3

### Selecting functions:

The R2 key on the right-hand foot switch is used to select the drives (motors) or the stepwise memory function. The relevant LEDs on the central electronic unit will then light up. The R1 key serves as a Memory key if the Memory function has been selected.

### Adjusting the height:

You can extend or retract the relevant drives using the L1 and L2 keys on the left-hand foot switch. Observe the arrow symbols on the foot switch for the directions of movement.

### Storing memory positions:

Adjust the bed to the required position.

Now press the R2 key on the right-hand foot switch until the lower LED on the central electronic unit (see ill.3) lights up. Then press the R1 key on the right-hand foot switch. Finally, select the relevant memory key L1 (Memory 1) or L2 (Memory 2) on the left-hand foot switch and press this key until you hear a beep.

### Calling up memory positions:

Two memory positions can be called up using the left-hand foot switch by pressing the R2 key on the right-hand foot switch until the lower LED on the central electronic unit (see ill.3) lights up. Then press and hold the L1 or L2 key on the left-hand foot switch until the relevant memory position is reached.



## 10.5 Initialising the software

If you notice that the required bed position is no longer reached when you call up a stored memory position, the software needs to be re-initialised (synchronising the software with hardware). To remedy this, proceed as follows:

### Initialising:

All drives must be fully extended and retracted to their end positions once.

Note! This initialisation must be done manually, i.e. every drive must be moved to its end position individually. Do not use any of the memory keys for this step!

Initialisation is complete when the positions described above have been reached.

## 10.6 Reset

The software is reset to its initial status by simultaneously pressing the upper row of keys on the hand switch (ill. 1 on page 7) or the L1 and R2 keys on the foot switch (ill. 2 on page 8) for approx. 5 sec., after which you will hear several beeps.

## 11. Options

The upholstery/cushions that are optionally available at a surcharge enable the Gharieni MLX Quarz to be also used as a regular upholstered bed.

## 12. Cleaning, care and disinfection

Clean the housing and the fittings with a damp cloth or a sponge and some soap.

The special sand must be replaced as required, but at least once every 12 months. Special sand that has been polluted, e.g. by oil, must be removed immediately and replaced by the same amount of new special sand.

The inner casing and the sheet plating can be cleaned using a disinfectant.

All natural wood parts have been treated with a special wood oil and must not be cleaned with water until 12 weeks after production. Until such time, only use a dry cloth or a cleaning oil as approved by the manufacturer. This can also be used to refresh the look of the surface. Please note: a surface that is refreshed regularly will keep its beautiful look for a very long time and is easy to maintain.

Upholstery/Cushions:



To clean the upholstery/cushions, first remove the mains plug. The upholstery/cushions that are optionally available at a surcharge for the Gharieni MLX Quarz consist of polyurethane (PU) or synthetic leather. The PU material can be cleaned using a cloth and some alcohol. The synthetic leather can be cleaned using the special synthetic leather cleaner and care product available from Gharieni.

## 13. Repairs and maintenance

1. We only accept responsibility for the safety and reliability of this bed if we, or a person authorised by us, have carried out any repairs or changes. Furthermore, the electrical system in the room must comply with the provisions of VDE 0100 or 0107 and the bed must only be used in accordance with these operating instructions. All guarantees on the part of the manufacturer are excluded in the event of improper changes to, or manipulations of, the bed.

2. The bed has been designed for continuous operation. As an additional safety feature, an anti-overload safety device has been integrated to switch off the bed if the thermostat is faulty and the temperature has reached 75°C. This safety device also switches on the bed again by itself.
3. The temperature sensor is located on the aluminium bracket cover in the lower part of the inner casing, near the controls.  
Make sure not to damage the sensor.
4. All electric parts are suitable for continuous operation. In the event of daily use, keep the bed switched on.



**The mains lead to the mains socket must be checked for damage at regular intervals and, if damage is found, must be changed by our Customer Service Department (or a qualified electrician).**

## 14. Guarantee

Gharieni Group GmbH supplies all beds subject to a 3-year guarantee. Wearing parts (such as incandescent lamps, UV lamps, consumables etc.) are not covered by this guarantee. Damage or loss due to unprofessional or improper use, non-compliance with the provisions of the instructions for use and/or gross negligence is not covered by guarantee either. In addition, the guarantee is invalidated if any stickers (such as the type plate, instruction notices, etc.) are removed or if devices or parts of devices are opened without permission for this being explicitly granted in the operating instructions (e.g. for cleaning).

## 15 Disposal



Do not dispose of this product as regular domestic waste at the end of its lifecycle, but hand it in to a collection site for recycling electronic and electrical devices. Do not remove the corresponding symbol from the product.



**The beds consist of metal, wooden and plastic parts, electronic components and electric cables and other materials. The individual materials must be disposed of in accordance with the environmental and waste disposal regulations of the country of use. If you have any queries as regards disposal, contact the local authorities responsible for waste disposal, your dealer, or:**

Gharieni Group GmbH	Tel.:	+49 (0)2841-88300-0
service@gharieni.de	Fax:	+49 (0)2841-88300-999
	Service Hotline:	+49 (0)2841-88300-40

## 16. Troubleshooting

We only accept responsibility for the safety and reliability of this bed if we, or a person authorised by us, have carried out any repairs and changes. Furthermore, the electrical system in the room must comply with the provisions of VDE 0100 or 0107 and the bed must only be used in accordance with these operating instructions. All guarantees on the part of the manufacturer are excluded in the event of improper changes to, or manipulations of, the bed.

**The sand is not heated:**Possible faults

- No mains connection available
- Mains connection lead faulty
- Fuse broken

Remedy

- Check the mains connection
- Immediately disconnect the bed from the mains. The bed must not be used again until after the mains connection lead has been replaced by authorised professionals.
- Replace by a new fuse or have it replaced

**None of the lifting motors work:**Possible faults

- The disabling function is active
- No mains connection available
- Mains connection lead faulty
- Hand switch or motor connection plug not plugged in correctly
- Hand switch faulty
- Fuse in transformer broken
- Control box: Is down completely
- Software error

Remedy

- Enable (see section 10.3 on page 7)
- Check the mains connection
- Immediately disconnect the bed from the mains. The bed must not be used again until after the mains connection lead has been replaced by authorised professionals.
- Check that the plug has been plugged in properly
- Replace the hand switch
- Replace by a new fuse or have it replaced
- Have it replaced by a new control box
- Reset the software to its initial status by simultaneously pressing the upper row of keys on the hand switch (ill.1 on page 7) or the L1 and R2 keys of the foot switch (ill.2 on page 8) for approx. 5 sec., recognisable by several beeps.

**A single lifting motor fails to work:**Possible faults

- Motor connection plug not plugged in correctly
- Hand switch faulty
- Control box faulty
- Motor connection lead or plug faulty
- Motor faulty

Remedy

- Check that the plug has been plugged in properly
- Replace the hand switch
- Have the control box replaced
- Have the motor lead or plug replaced
- Have the motor replaced

**17 Technical specifications****Function description of the heating system:**

A resistance heater under the bottom plate supplies heat evenly to the special sand. A temperature sensor controls the sand temperature.

**Details:**

Overall dimensions (L x W x H):	220 x 89.5 x 88 cm
Surface (L x W):	202 x 72 cm
Base (L x W):	150 x 60 cm
Height adjustment range:	63 - 88 cm
Trendelenburg / Anti-Trendelenburg positions:	Yes

Inclination:	± 16°
Max. load:	150 kg
Lifting capacity: (max. safe operating load)	130 kg
Weight (without sand and upholstery):	approx. 170 kg
Weight of the quartz sand:	approx. 180 kg

**Adjusting motors with control system:**

Primary transformer output:	230 V / 50 Hz / 200 VA max.
Secondary transformer output:	24 V =
Fuse:	3 A, slow-acting
Activation duration (drive):	10% max. 2 min contin. operation / 18 min break
Mains lead:	3 metres, cable
Hand switch:	spiral cable
IP category:	I with heating and/or Vibro, otherwise II
Safety protection against electric shock:	type B
Protection against substances penetrating:	IP X4

**Heating:**

Capacity:	312 W
Voltage:	230 V / 50 Hz
Fuse:	2 x 10 A (med. time lag)

**Environmental conditions for storage and transport:**

Temperature:	-10°C to +50°C
Air pressure:	700 to 1060 hPa
Relative humidity:	20% to 70% - non-condensing@ +30 °C

**Ambient conditions during use:**

Temperature:	+5 °C to +40 °C
Air pressure:	700 to 1060 hPa
Relative humidity:	35% to 65% - non-condensing@ +30 °C

EC Declaration of Conformity  
 EC DECLARATION OF CONFORMITY  
 DECLARATION CE DE CONFORMITE

Wir / We / Nous

**Gharieni Group GmbH**

(Hersteller/Manufacturer/Fabricant)

**Gutenbergstr. 40  
 47443 Moers  
 Germany**

**erklären, dass das Produkt  
 declare that the product  
 déclarons que le produit**

(Typ oder Modell, Bezeichnung / Type or model, name / Type ou modèle, nom)

**MLX Quarz heated sand bed**

produziert wurde entsprechend den Vorgaben der

Niederspannungsrichtlinie **2006/95/EG**,  
 EMV- Richtlinie **2004/108/EG**,  
 Maschinenrichtlinie **2006/42/EG**.

Is produced in accordance with the requirements specified in

Low Voltage Directive (LVD) **2006/95/EC**,  
 Electromagnetic Compatibility **2004/108/EC**,  
 Safety of Machinery **2006/42/EC**.

est produit conformément aux exigences de la directive

Directive basse tension **2006/95/EG**,  
 Compatibilité Electromagnetique **2004/108/EG**,  
 Directive machines **2006/42/EG**.

Moers, 04.02.2013

Ort und Datum  
 Place and date  
 Date et lieu



Geschäftsführer: S. Gharieni  
 Executive president  
 Directeur

## 19 Issue status

<u>Issue</u>	<u>Change (pages)</u>	<u>Date</u>
First issue	-	04 Feb. 2013