

MADE IN THE USA

Product Description:

- Bulk Mask Adapter
- Converts the face mask section into two bulk or controlled-dispensing sections
- Inserts directly into face mask sections of metal BOWMAN® Respiratory Hygiene Stations
- Quartz Beige ABS Plastic

Primary Area for Product Usage:

- Anywhere Respiratory Hygiene Stations are needed

Dispenses:

- Fits sections no smaller than 7.76"W x 8.50"H x 4.80"D (19.7 cm x 21.6 cm x 12.2 cm)

Package Specifications:

- Package Quantity: 6 per case
- 16"L x 12"W x 12"H (40.6 cm x 30.5 cm x 30.5 cm)
- 5.0 lbs (2.3 kg) - approximated

Product Specifications (overall external dimensions):

- 7.76"W x 8.50"H x 4.80"D (19.7 cm x 21.6 cm x 12.2 cm)
- 0.4 lbs (0.2 kg) - approximated

Compatible BOWMAN Products (each sold separately):

- Cover Your Cough Compliance Kits:
 - BD101-0012
 - BD102-0012
 - BD105-0012
 - BD106-0012
 - BD201-0012
 - BD202-0012
 - BD205-0012
 - BD206-0012
- Respiratory Hygiene Stations:
 - RS001-0412
 - RS002-0412
 - RS004-0412
 - RS005-0412

Related Products (each sold separately):

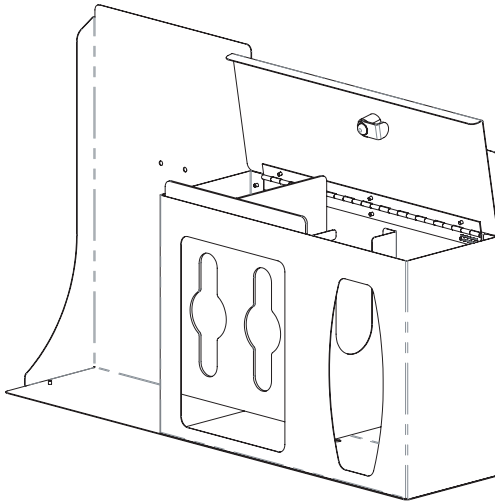
- BD206-0012: Cover Your Cough Compliance Kit (left)
 - RS005-0412: Respiratory Hygiene Station - Locking
 - MP-075: Sign Holder - Horizontal
 - NC015-0212 shown inside (sold separately)



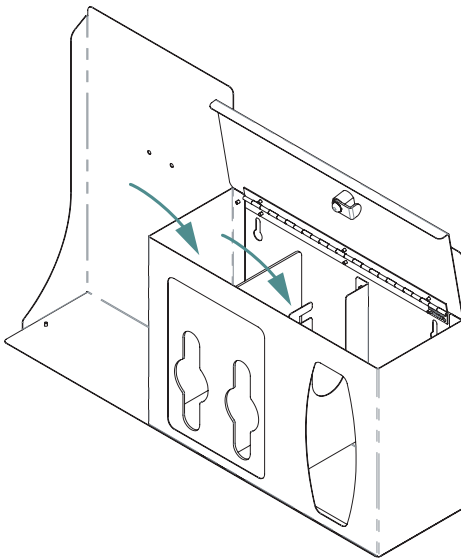
Installation

Always mount dispensers securely *prior* to loading with product.

- Insert Bulk Mask Adapter into BOWMAN® Respiratory Hygiene Station (compatible products listed on page 1)
- Front of RHS will flex slightly for insertion.



- Add bulk or boxed face masks behind Adapter and dispense as usual.



Parts included:

- Adapter

Tools Required:

- No tools required to assemble adapter

Care and Construction

ABS Plastic

Material Characteristics

Designed for Long-Term, Heavy-Duty Applications

The combination of copolymers (Acrylonitrile, Butadiene, and Styrene) gives ABS an excellent combination of strength, rigidity, and toughness.

ABS is chemical and stress-crack resistant. It is tough, dimensionally stable, and will hold up to long-term use. It possesses high strength and performance characteristics at a reasonable cost.

Care and Cleaning

Use mild soap and water to clean. Petroleum-based oils, solvents, and paints should not be used.

Standard hospital cleaning supplies can be used.