

# BOWMAN®



## Dispensers

Hand Sanitizer Floor Stand

# KS101-0029



Shown with hand sanitizer (not included)

MADE  
IN THE USA

\* Imported

### Product Description:

- Floor Stand with backplate
- Supports a variety of manufacturers' hand sanitizer, foam sanitizer, and hand lotion dispensers
- Ideal for dispensers which include an attached drip tray
- No tools required to assemble
- Self-righting base, up to 40 degrees past center (without dispenser)
- Bay Gray powder-coated metal back plate, column, and base
- Backplate - Made in U.S.A.  
\*Column and base - Imported

### Primary Area for Product Usage:

- Ports of entry: waiting rooms, lobbies, elevators
- Medical offices or clinics

### Companion Products (each sold separately):

- Infection Prevention Station, KS123-0529
- Sign Holder, SN003-0212

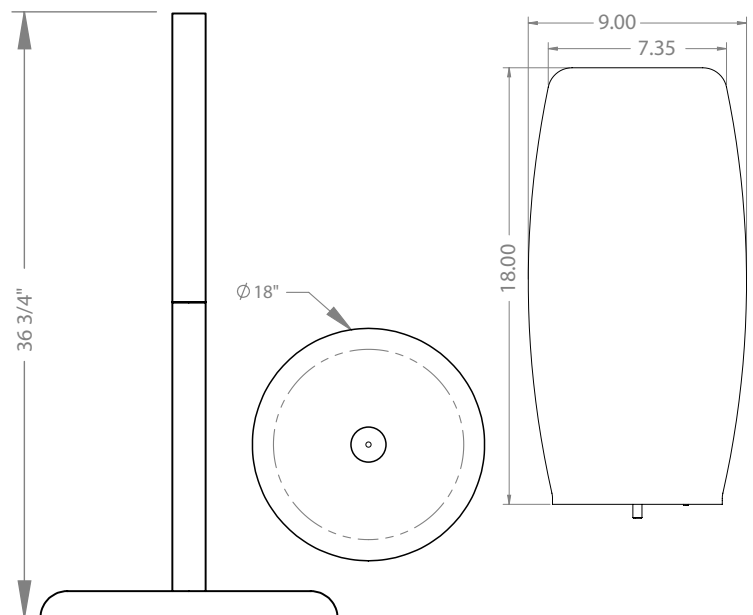
### Package Specifications:

- 20"L x 4"W x 20"H (50.8 cm x 10.2 cm x 50.8 cm)
- 18.0 lbs (8.2 kg) - approximated

### Product Specifications (overall external dimensions):

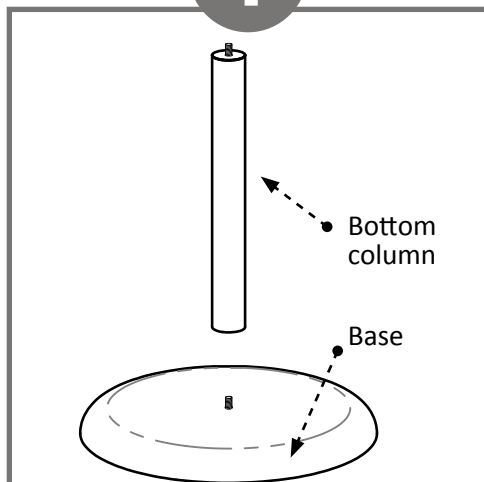
- 18.0"W x 54.7"H x 18.0"D (45.7 cm x 139.0 cm x 45.7 cm)
- 16.0 lbs (7.3 kg) - approximated

### Mounting Specifications

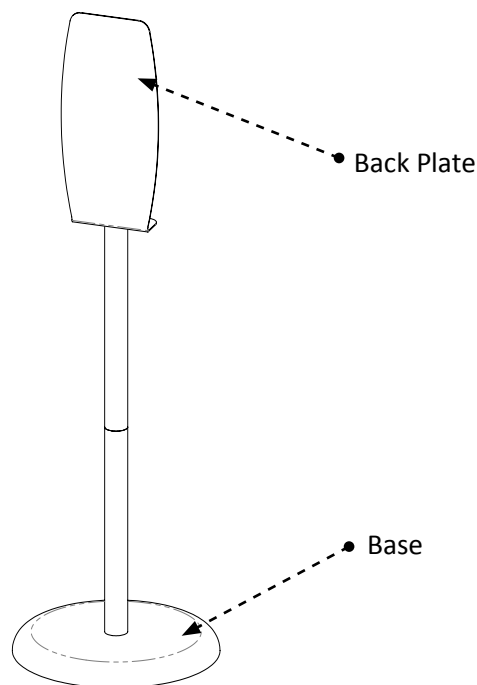




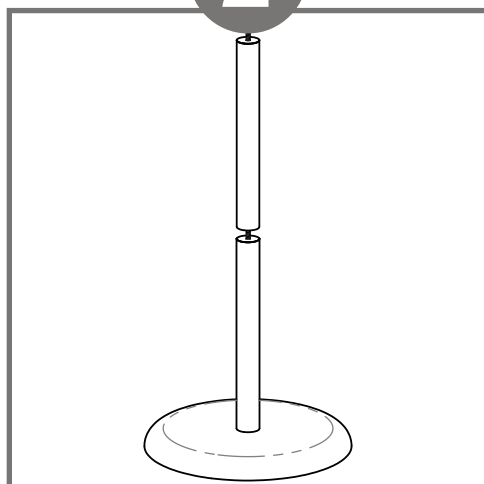
### 1



To secure base to column, place base on floor, line up threaded stud on base with threaded hole in pole. Turn pole clockwise until tight.

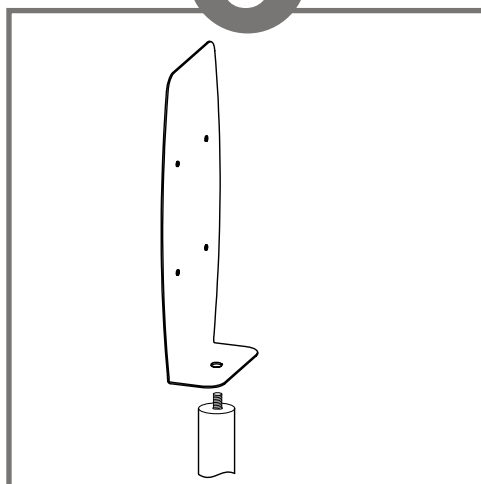


### 2



Screw the threaded hole of second pole section onto the stud in the top of the first section. Turn clockwise until tight.

### 3



Place hole in back plate over stud from second column section. Holding back plate upright, screw onto threaded stud.

#### Parts included:

- Base
- Column (2x)
- Back Plate

#### Tools required:

- No tools are required to assemble the stand and back plate



## Advantage

### Designed for Long-Term Use

Dispensers and stands made of powder coated steel are both attractive and functional, providing years of service.

## Major Benefits

### *Durable*

Our powder coated steel dispensers and stands provide long-lasting products that hold up well in tough environments.

### *Cleaning*

The powder coated finish resists common chemicals and cleaning agents and can be easily wiped clean with soap and water.

### *Strength*

Powder coated steel is ideal for dispensers used in a healthcare or an industrial setting. It is impact resistant and is not effected by extremes in temperature.

### *Appearance*

The clean, neutral appearance of bay gray powder coated steel looks attractive and provides a professional image in all environments.

