



Horizontally mounted

Product Description:

- Glove Box Dispenser - Single
- Holds one box of gloves
- Slot-style screw holes for vertical or horizontal wall mounting
- Made of white coated wire

Primary Area for Product Usage:

- All primary care areas: clinic/exam rooms, radiology, labs, physical therapy, OR areas, employee health.
- Non-patient care areas: kitchens, laundry facilities, environmental services, sterile processing.

Dispenses:

Most brand name standard glove boxes

- Boxes no larger than 5.31"W x 10.00"H x 3.75"D (13.5 cm x 25.4 cm x 9.5 cm)

Package Specifications:

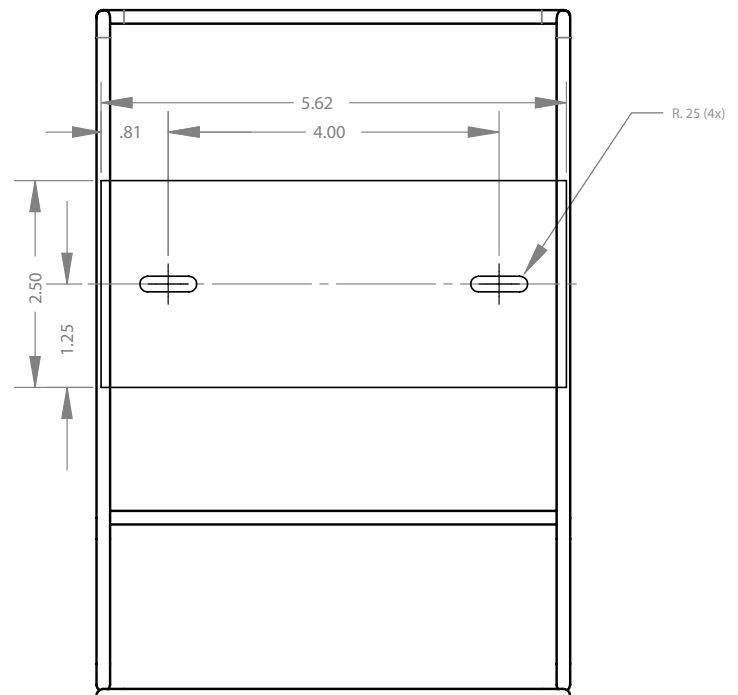
- Package Quantity: 12 per case
- 28"L x 9"W x 7"H (71.1 cm x 22.9 cm x 17.8 cm)
- 9.0 lbs (4.1 kg) - approximated

* Imported

Product Specifications (overall external dimensions):

- 5.67"W x 8.16"H x 3.75"D (14.4 cm x 20.7 cm x 9.5 cm)
- 0.65 lbs (0.3 kg) - approximated

Mounting Specifications:





Advantage

Wire is Both Functional and Economical

Dispensers made of wire provide a cost effective alternative and a simple solution for holding glove boxes.

Major Benefits

Durable

Our wire dispensers are made of heavy gauge wire to retain their shape and withstand normal use.

Cleaning

The paint-coat finish resists common chemicals and can be wiped clean with soap and water.

Flexibility

Wire dispensers come in a variety of sizes to fit your needs. Each of our new wire glove box dispensers can be mounted either horizontally or vertically. Single, double, triple, and quad glove box dispensers with their alternative mounting options ensure you have gloves when and where you need them.

