



### Product Description:

- Glove Box Dispenser - Single
- Holds one box of gloves
- Three-way keyholes for vertical or horizontal wall mounting
- BOWMAN® *Signature Series* - Made of Maple Fauxwood ABS plastic (also available in Cherry Fauxwood ABS plastic, GL010-0233)

### Primary Area for Product Usage:

- All primary care areas: clinic/exam rooms, radiology, labs, physical therapy, O.R. areas, environmental services

### Dispenses:

- Most brand name standard glove boxes no larger than 5.50"W x 10.00"H x 3.75"D (14.0 cm x 25.4 cm x 9.5 cm)

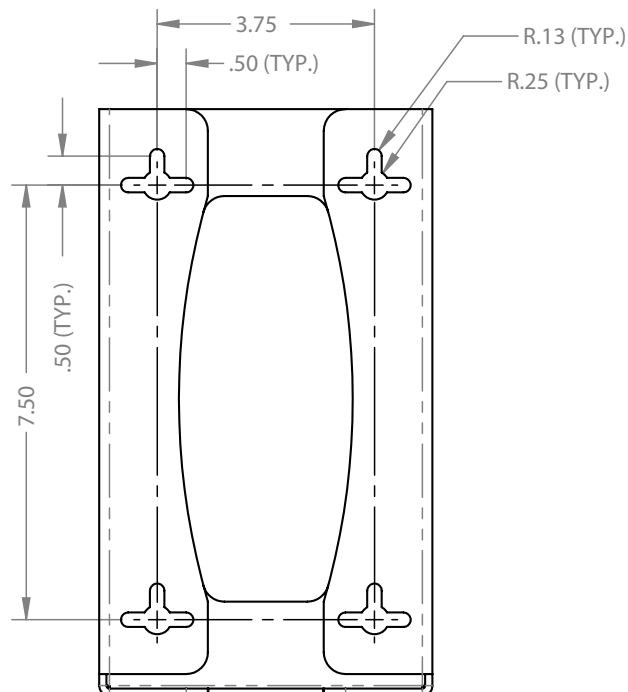
### Package Specifications:

- Package Quantity: 12 per case
- 18"L x 16"W x 10"H (45.7 cm x 40.6 cm x 25.4 cm)
- 11.0 lbs (5.0 kg) - approximated

### Product Specifications (overall external dimensions):

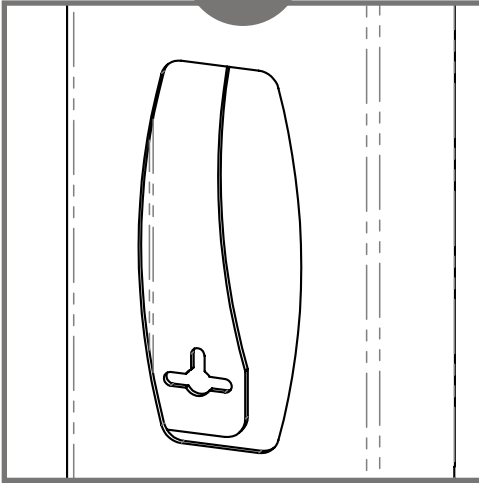
- 5.75"W x 10.13"H x 4.00"D (14.6 cm x 25.7 cm x 10.2 cm)
- 0.8 lbs (0.4 kg) - approximated

### Mounting Specifications:

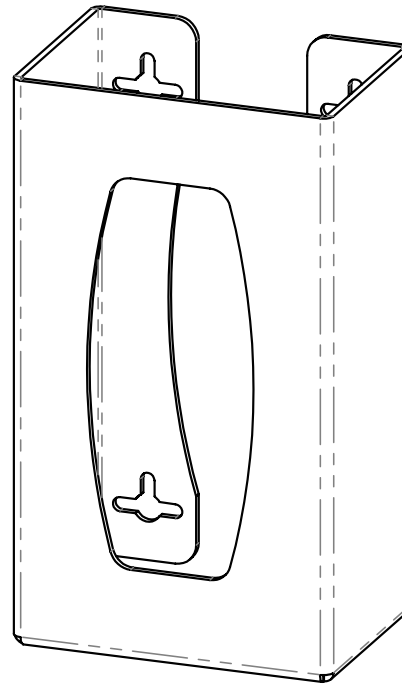




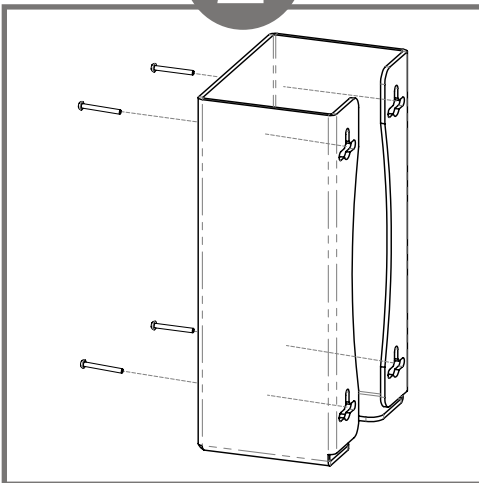
1



Unique shape of openings helps prevent over dispensing product.



2



Dispenser should be mounted securely to a wall through keyholes in back with screws approved and provided by building maintenance.

**Parts included:**

- Dispenser

**Tools required:**

- No tools required to assemble glove box dispenser



## Advantage

### Designed for Long-Term Heavy-Duty Applications

The combination of copolymers (Acrylonitrile, Butadiene, and Styrene) gives ABS an excellent combination of strength, rigidity, and toughness. The fauxwood finish is ARVINYL laminate created from a semi-rigid film.

## Major Benefits

### *Durable*

ABS is chemical and stress-crack resistant. It is tough, dimensionally stable, and will hold up to long-term use. To ensure product longevity, fauxwood products should not be mounted in very hot or cold areas.

### *Cleaning*

BOWMAN® *Signature Series* products can be cleaned with standard hospital cleaning products. Petroleum-based oils, solvents, and paints should not be used.

### *Strength*

ABS plastic possesses high strength and performance characteristics at a reasonable cost. These qualities make it perfect for a wide variety of applications, including medical and laboratory equipment.

### *Appearance*

Our fauxwood material is engineered to have a natural grain appearance both in Cherry and Maple finishes. The two color choices provide a visually appealing, upscale option to any area.

