



MADE IN THE USA

### Related Products (each sold separately):

- ED-097: Infection Prevention System (shown below)



### Product Description:

- Wipe Dispenser
- Holds one disposable wipe canister
- Keyholes for wall mounting
- Quartz Beige Powder-Coated Steel

### Primary Area for Product Usage:

- Anywhere wipes are needed for sanitizing

### Dispenses:

- Holds one canister of wipes
- Canister no larger than 5.00" diameter x 12.00" (12.7 cm x 30.5 cm)
- Canister no smaller than 4.00" diameter x 5.75"H (10.2 cm x 14.6 cm)

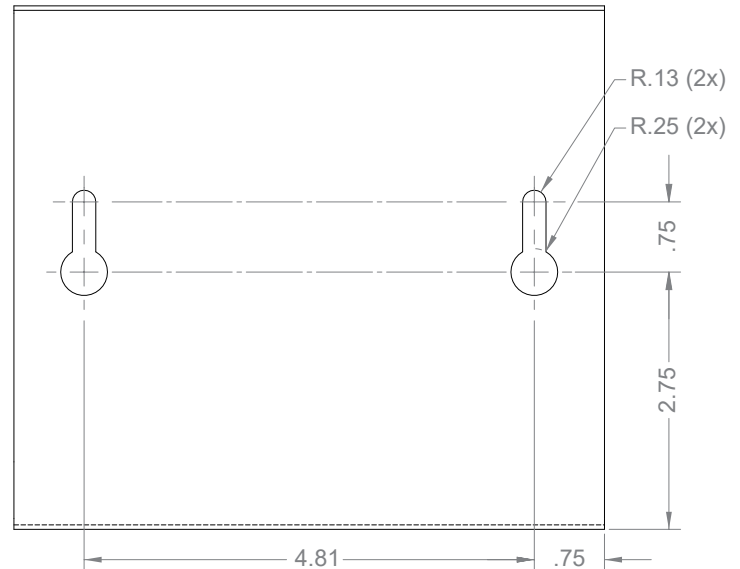
### Package Specifications:

- Package Quantity: 12 per case
- 16"L x 12"W x 12"H (40.6 cm x 30.5 cm x 30.5 cm)
- 16.0 lbs (7.3 kg) - approximated

### Product Specifications (overall external dimensions):

- 6.31"W x 5.60"H x 6.15"D (16.0 cm x 14.2 cm x 15.6 cm)
- 0.6 lbs (0.3 kg) - approximated

### Mounting Specifications:

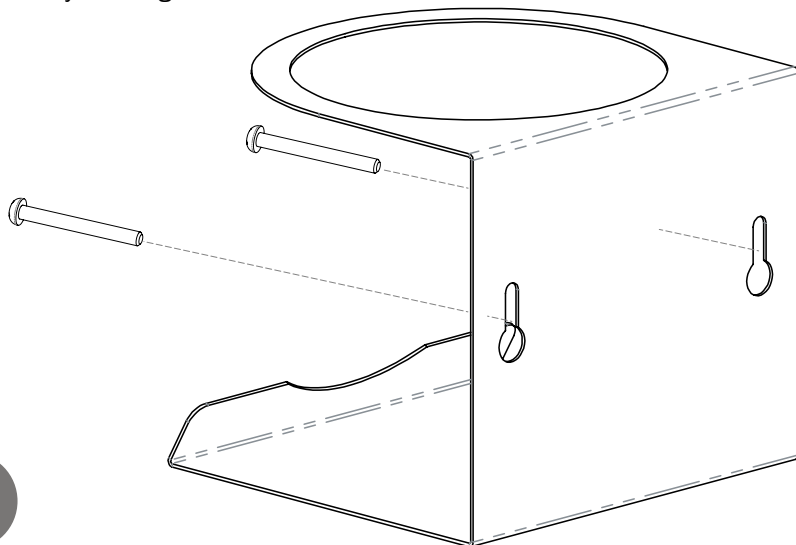




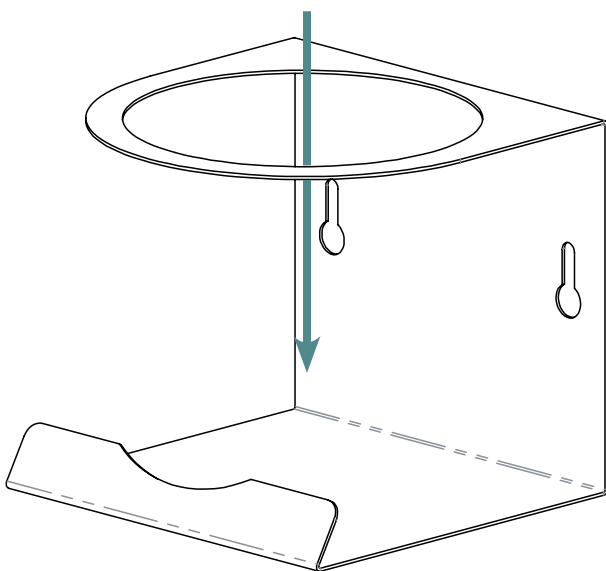
## Installation

Always mount dispensers securely *prior* to loading with product.

- Mount empty dispenser securely to a wall or door with screws approved and supplied by building maintenance.



- Insert canister through top of holder.



### Parts included:

- Dispenser

### Tools Required:

- No tools required to assemble dispenser

## Care and Construction

### Powder-Coated Steel

### Material Characteristics

### Designed for Long-Term Use

Our steel dispensers and stands are coated with polyester powders which makes them highly resistant to corrosion.

Powder-coated steel is ideal for dispensers used in a healthcare or an industrial setting because it is impact resistant and is not effected by extremes in temperature.

Dispensers and stands made of powder-coated steel are both attractive and functional, providing years of service.

### Care and Cleaning

For best results, clean by washing the surface with a diluted solution of a mild, non-abrasive detergent in cold or warm water and a non-abrasive cloth. Standard hospital cleaning supplies can be used.

Dry with a soft cloth. Do not use any solvent-based materials, abrasives (e.g. Scotch-brite, steel wool), or apply excessive force during cleaning.