



**MADE
IN THE USA**
PATENTED

Accessorie(s) (each sold separately):

- BWX02-0412: Pole Mount (shown below)

**Product Description:**

- Disposable Wipe Bracket - Universal
- Front loading canister
- Holds a wide variety of wipe canister sizes
- Screw holes for wall or cabinet mounting, or attaches to pole mount (BWX02-0412)
- Quartz Beige Powder-Coated Aluminum

Primary Area for Product Usage:

- Anywhere disposable wipes are needed

Dispenses:

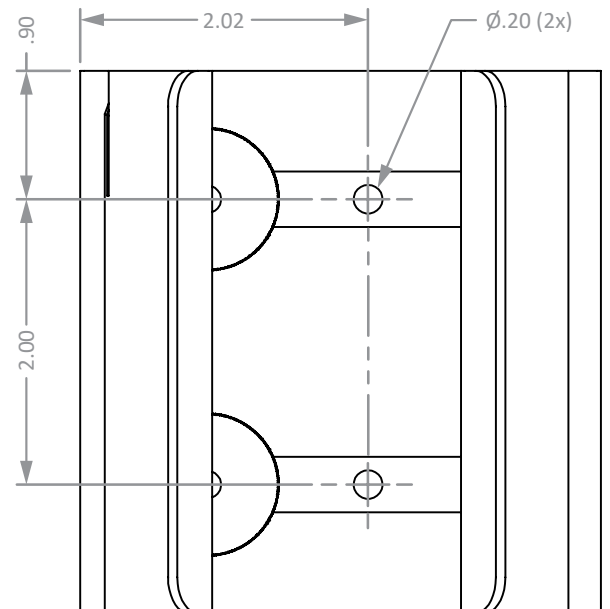
- Wipe canisters from 2.88" to 5.00" (7.3 cm to 12.7 cm) in diameter

Package Specifications:

- Package Quantity: 12 per case
- 14"L x 12"W x 9"H (35.6 cm x 30.5 cm x 22.9 cm)
- 9.0 lbs (4.1 kg) - approximated

Product Specifications (overall external dimensions):

- 3.48"W x 3.80"H x 5.00"D (8.8 cm x 9.7 cm x 12.7 cm)
- 0.6 lbs (0.3 kg) - approximated

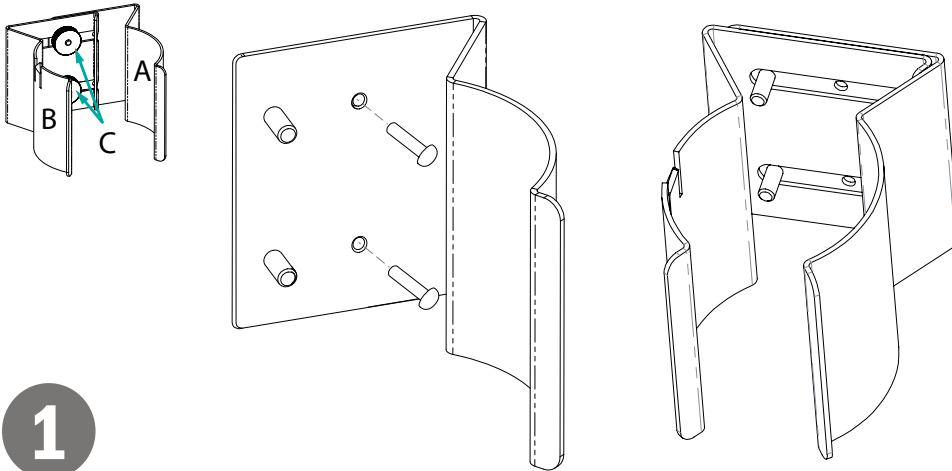
Mounting Specifications:



Installation

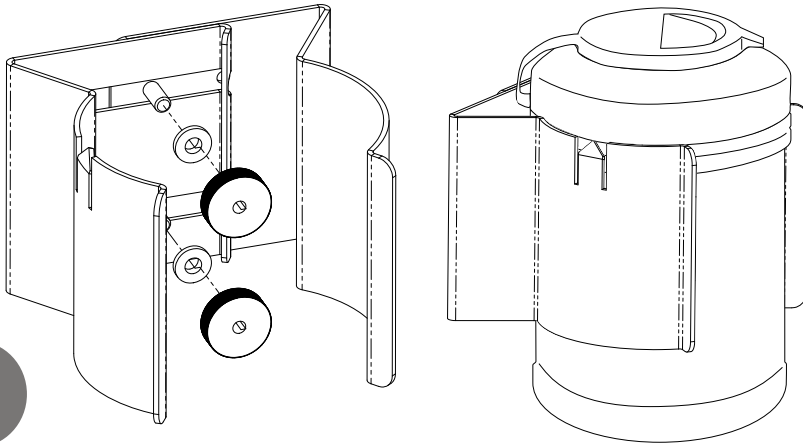
Always mount dispensers securely *prior* to loading with product.

- Mount part A securely to a wall with screws approved and supplied by building maintenance.
- Align part B slots over the attached studs on part A.



1

- Place one washer and one knurled knob over each of the two studs. Do not tighten.
- Insert desired canister to determine spacing. Point of part B should sit under the bottom lid edge of canister. Move part B so it is tight.
- Remove canister and tighten knobs. Replace canister.



2

Parts included:

- Dispenser (two parts)
- (2x) washers and (2x) knurled knobs

Tools Required:

- No tools required to assemble dispenser

Care and Construction

Powder-Coated Steel

Material Characteristics

Designed for Long-Term, Heavy-Duty Applications

Dispensers and stands made of powder-coated steel are both attractive and functional, providing years of service.

Our powder-coated steel dispensers and stands provide long-lasting products that hold up well in tough environments.

Powder-coated steel is ideal for dispensers used in a healthcare or an industrial setting. It is impact resistant and is not effected by extremes in temperature.

Care and Cleaning

The powder-coated finish resists common chemicals and cleaning agents and can be easily wiped clean with soap and water.