



MADE IN THE USA

### Alternative Products (each sold separately):

- BK102-0111, Bulk Dispenser - Mini Double Bin
- BK103-0111, Bulk Dispenser - Mini Triple Bin



BK102-0111



BK103-0111

### Product Description:

- Bulk Dispenser - Mini Single Bin
- Holds a variety of miscellaneous items in bulk
- Single compartment
- Top loading and dispensing
- Hingeless lid
- Keyholes for wall mounting or can sit on counter
- Made of Clear PETG Plastic

### Primary Area for Product Usage:

- Personal care, home use, crafting supplies
- Food service areas, kitchens, lunchrooms or cafeterias
- Clinics, salons, retail counters
- Anywhere bulk items are needed

### Dispenses:

- Fits any bulk items in a compartment which measures 5.80"W x 7.45"H x 4.80"D (16.5 cm x 22.3 cm x 14.8 cm)

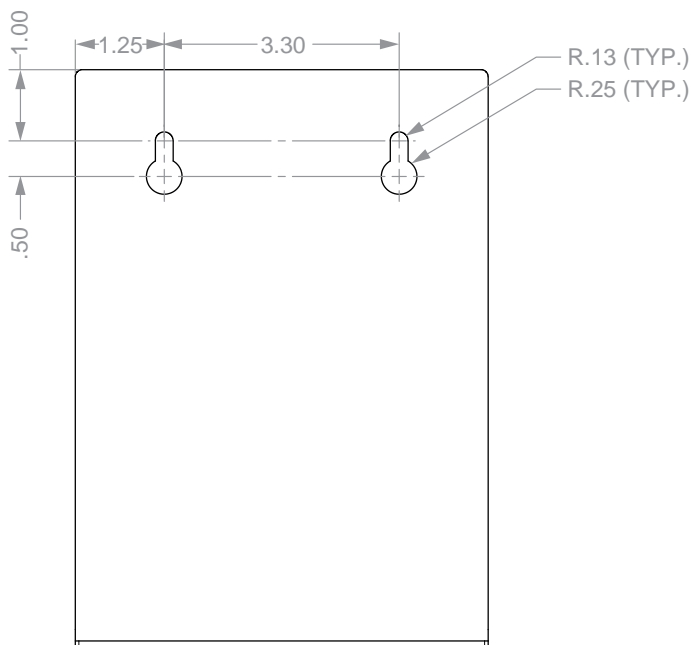
### Package Specifications:

- Package Quantity: 6 per case
- 21"L x 14"W x 10"H (53.3 cm x 35.6 cm x 25.4 cm)
- 8.0 lbs (3.6 kg) - approximated

### Product Specifications (overall external dimensions):

- 6.00"W x 8.00"H x 5.22"D (15.2 cm x 20.3 cm x 13.3 cm)
- 1.0 lbs (0.4 kg) - approximated

### Mounting Specifications:

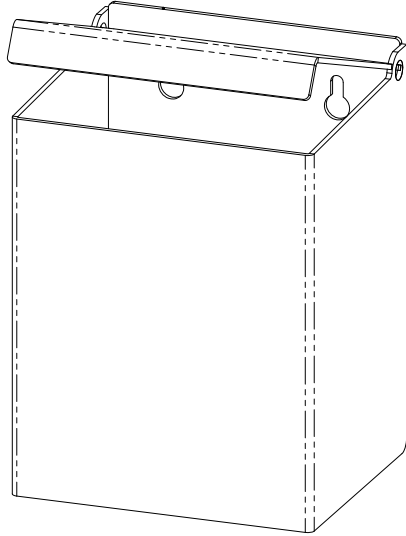




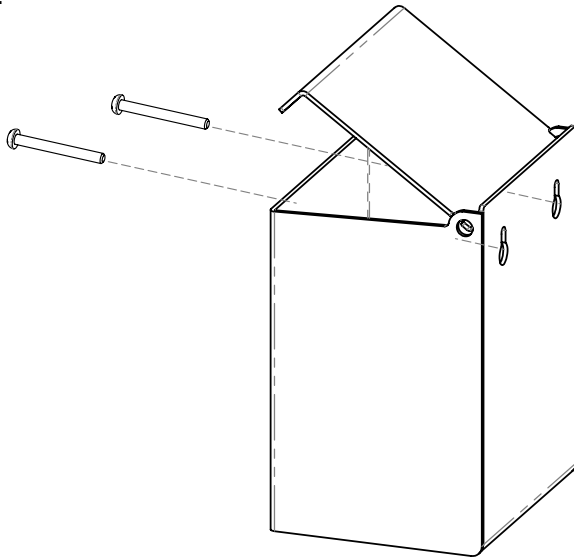
## Installation

Always mount dispensers securely *prior* to loading with product.

- A clear body and lid provides an unobstructed view of the contents inside, allowing easy monitoring of supply level.



- Mount securely to a wall with screws approved and supplied by building maintenance.



### Parts included:

- Dispenser

### Tools Required:

- No tools required to assemble dispenser

## Care and Construction

PETG Plastic

### Material Characteristics

#### Designed for Long-Term Heavy-Duty Applications

Copolyester resin is designed for heavy-duty applications, and is used by BOWMAN® Dispensers. We never use acrylic in our products.

Copolyester (PETG) is typically 15-20 times tougher than general purpose acrylic. PETG is made to withstand handling and reduce losses due to breakage.

PETG resists a variety of chemicals and commonly used cleaning agents. It is tough and durable (not brittle), providing years of trouble-free functionality and long life.

Clear optical characteristics mean the viewer can see the content, read text, and see true colors through the material. It complies with FDA regulations for food contact.

### Care and Cleaning

Most cleaning chemicals do not weaken the surface or cause damage to the material. Suggested cleaning method is to use a soft cloth, warm water, and mild soap.