



MADE
IN THE USA

Product Description:

- Floor Stand
- Accommodates a variety of BOWMAN® Respiratory Hygiene Stations
- Column with square base and mounting top plate for companion product
- Assembly hardware is included
- Quartz Beige Powder-Coated Steel

Primary Area for Product Usage:

- Ports of entry: waiting rooms, lobbies, elevators
- Medical offices or clinics

Dispenses:

- Accommodates a variety of BOWMAN® Hygiene Stations

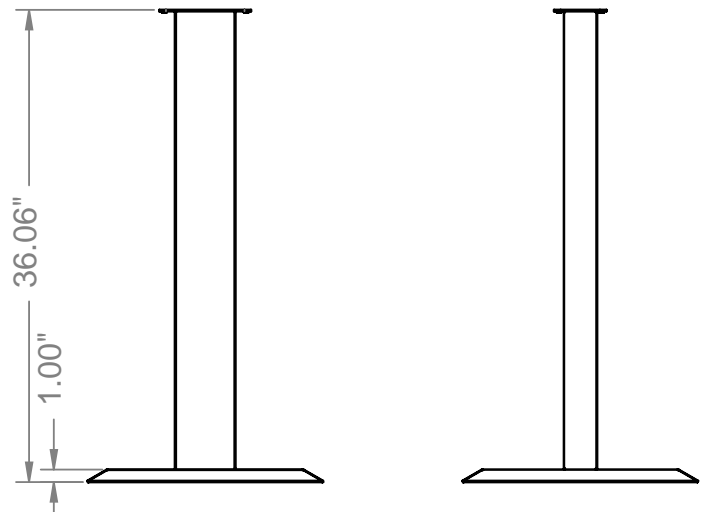
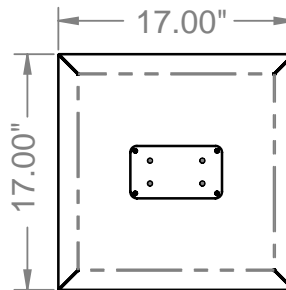
Package Specifications:

- Package Quantity: 1 per case
- 36"L x 20"W x 6"H (91.4 cm x 50.8 cm x 15.2 cm)
- 20.0 lbs (9.1 kg) - approximated

Product Specifications (overall external dimensions):

- 17.00"W x 36.06"H x 17.00"D (43.2 cm x 91.6 cm x 43.2 cm)
- 14.6 lbs (6.6 kg) - approximated

Mounting Specifications:



Companion Products (each sold separately):

- ED-097: Infection Prevention System
- FD-068: Infection Prevention System
- Any BOWMAN® Respiratory Hygiene Station



RS001-0512 and MP-075
on KS010-0412

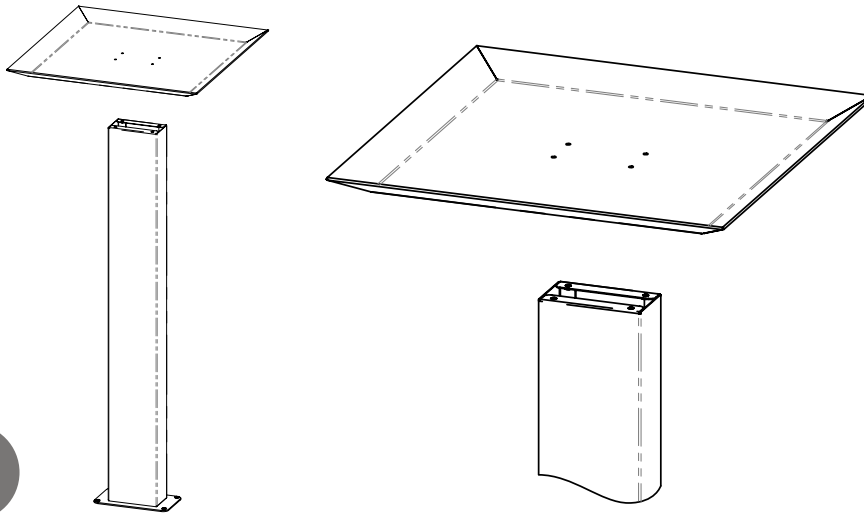
RS005-0512 and MP-075
on KS010-0412



Installation

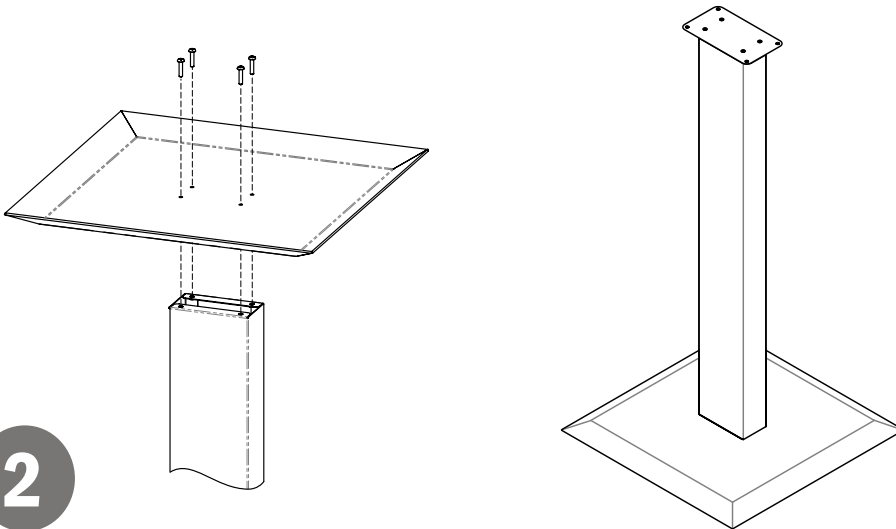
Always mount dispensers securely *prior* to loading with product.

- To secure base to column, turn column upside down (with top plate down).
- Place base inverted, as shown, on column.



1

- Use Phillips screwdriver to secure base to column with (4x) screws (10-32 x 5/16").
- Turn stand right side up, so the base is on the floor.



2

Parts included:

- Column
- Base
- Hardware
- (8x) Screws: (4x) for stand, (4x) included to attach companion product (Phillips type 10-32 x 5/16")

Tools Required:

- Phillips screwdriver

Care and Construction

Powder-Coated Steel

Material Characteristics

Designed for Long-Term Use

Our steel dispensers and stands are coated with polyester powders which makes them highly resistant to corrosion.

Powder-coated steel is ideal for dispensers used in a healthcare or an industrial setting because it is impact resistant and is not effected by extremes in temperature.

Dispensers and stands made of powder-coated steel are both attractive and functional, providing years of service.

Care and Cleaning

For best results, clean by washing the surface with a diluted solution of a mild, non-abrasive detergent in cold or warm water and a non-abrasive cloth. Standard hospital cleaning supplies can be used. Dry with a soft cloth. Do not use any solvent-based materials, abrasives (e.g. Scotch-brite, steel wool), or apply excessive force during cleaning.