



MADE IN THE USA

Product Description:

- Bottle Holder - Universal
- Holds a variety of bottle sizes
- Keyholes for wall mounting
- Quartz Beige ABS Plastic

Primary Area for Product Usage:

- Anywhere soap, sanitizer, or lotion may be needed

Dispenses:

- Holds one bottle of hand sanitizer or lotion

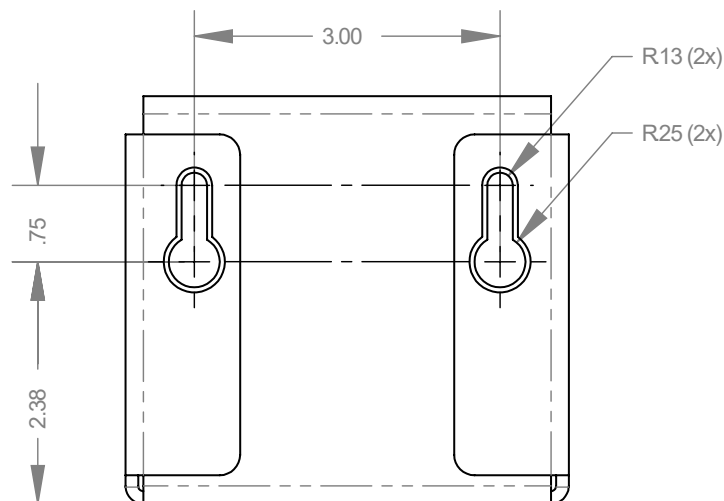
Package Specifications:

- Package Quantity: 12 per case
- 14"L x 12"W x 9"H (35.6 cm x 30.5 cm x 22.9 cm)
- 7.0 lbs (3.2 kg) - approximated

Product Specifications (overall external dimensions):

- 4.35"W x 4.00"H x 4.52"D (11.0 cm x 10.2 cm x 11.5 cm)
- 0.3 lbs (0.1 kg) - approximated

Mounting Specifications:



Related Products (each sold separately):

- ED-097: Infection Prevention System (shown below)

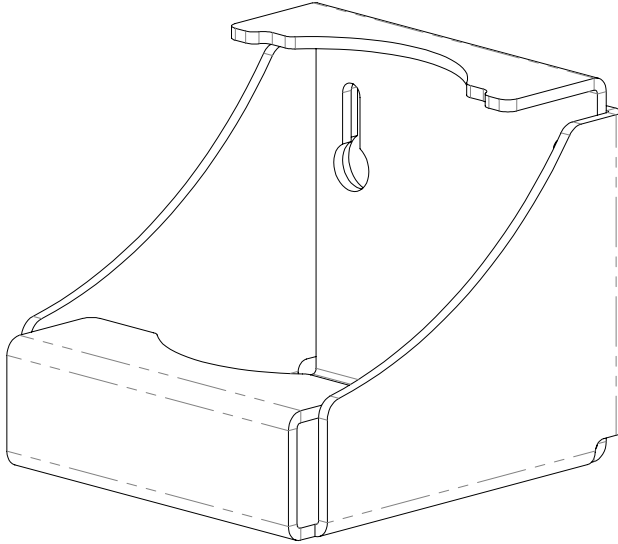




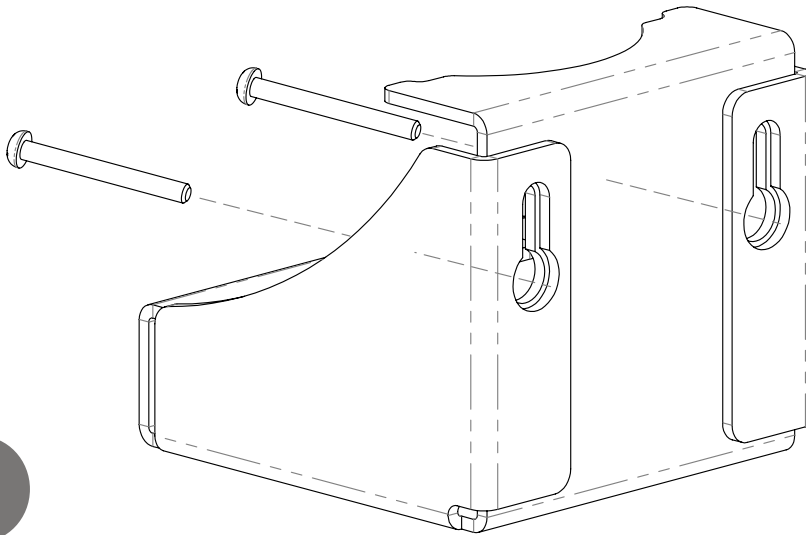
Installation

Always mount dispensers securely *prior* to loading with product.

- Curved cutouts hold a variety of bottle shapes and sizes.



- Mount securely to a wall with screws approved and supplied by building maintenance.



Parts included:

- Dispenser

Tools Required:

- No tools required to assemble dispenser

Care and Construction

ABS Plastic

Material Characteristics

Designed for Long-Term, Heavy-Duty Applications

The combination of copolymers (Acrylonitrile, Butadiene, and Styrene) gives ABS an excellent combination of strength, rigidity, and toughness.

ABS is chemical and stress-crack resistant. It is tough, dimensionally stable, and will hold up to long-term use. It possesses high strength and performance characteristics at a reasonable cost.

Care and Cleaning

Use mild soap and water to clean. Petroleum-based oils, solvents, and paints should not be used.

Standard hospital cleaning supplies are approved for use on our ABS plastic products.