

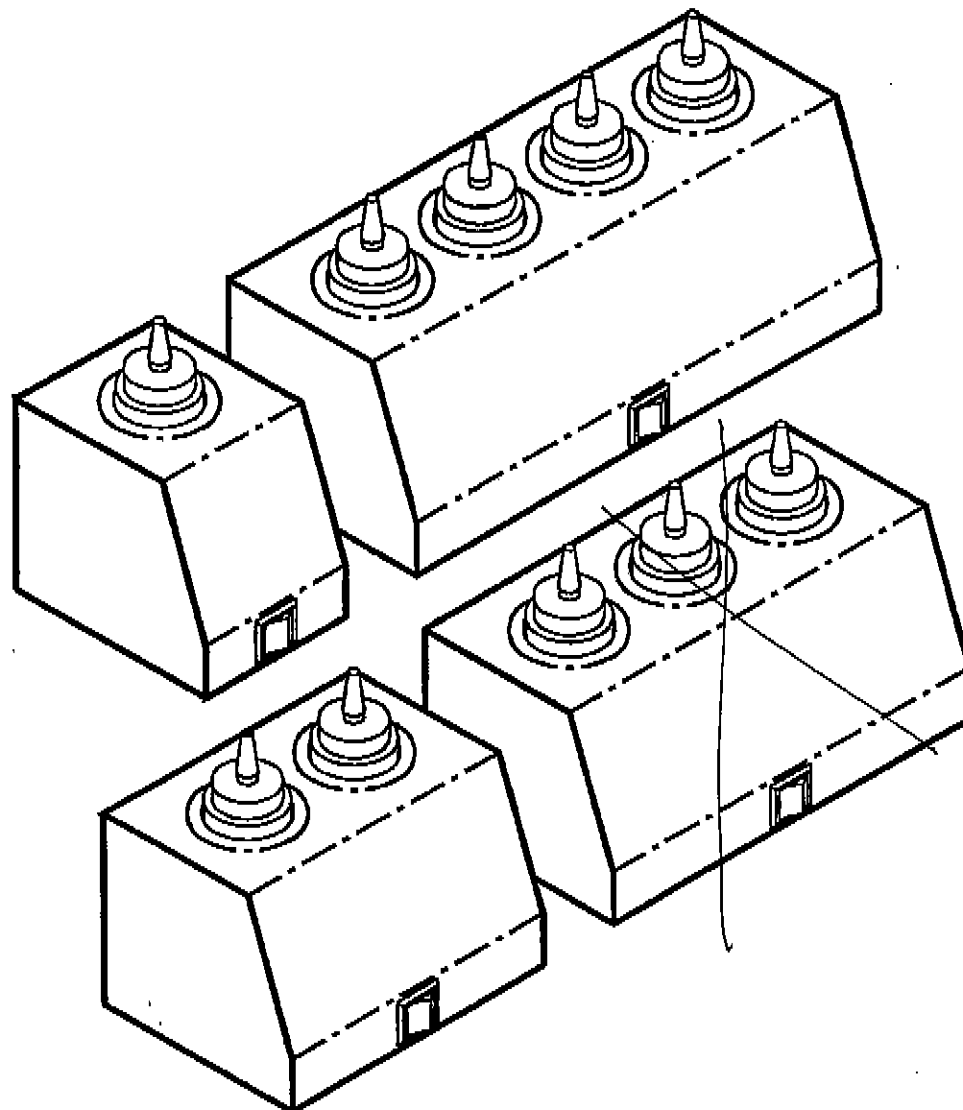
Bottle Warmer Operating Instructions

1 Cylinder
Bottle Warmer
Model -EBW1

2 Cylinder
Bottle Warmer
Model -EBW2

3 Cylinder *N/A*
Bottle Warmer
Model -EBW3

4 Cylinder
Bottle Warmer
Model -EBW4





**PLEASE READ
this entire booklet before
operating your new Bottle Warmer**

If you have any questions, please call:



**15058 Proctor Avenue
P.O. Box 3527
City of Industry, CA 91744 USA**

**phone: (800) 782-7706
(818) 968-6681
fax: (818) 855-4862**



CONTENTS

User Help Info-----	2
Table of Contents-----	3
General Warnings-----	4
Description-----	4
What are the parts?-----	4
Setup Instructions-----	5
What's included?-----	5
Unpackaging my Bottle Warmer-----	5
Where do I put my Bottle Warmer?-----	5
Before the first use -----	5
Using your Bottle Warmer-----	6
How do I use the Bottle Warmer?-----	6
Refilling the dispensing bottles-----	7
Cleaning-----	8-10
What do I use?-----	8
Routine Cleaning-----	8-9
Cleaning color coated surfaces-----	9
For scratches, stains-----	10
Maintenance-----	11
Storage-----	11
Troubleshooting-----	11
Technical information-----	12-13
Electrical information-----	12
Replacement parts-----	12
Exploded view -----	13



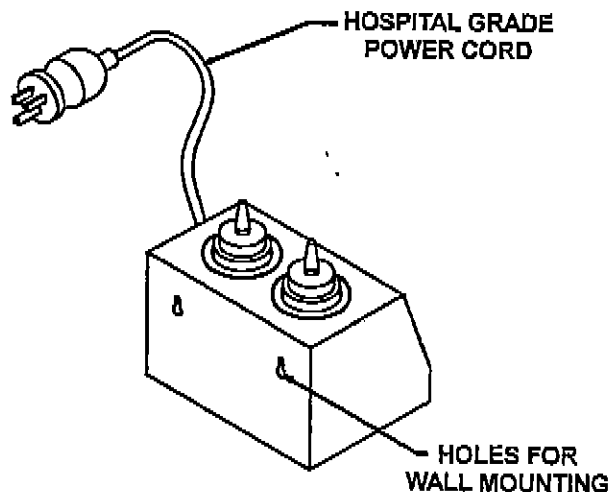
WARNING



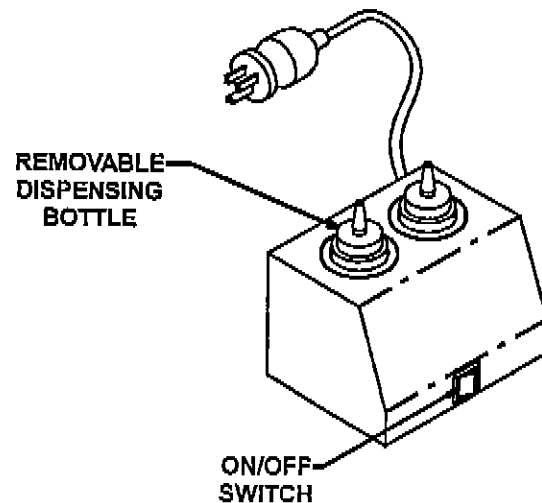
- ✓ DO NOT pour any liquid directly into the warmer.
- ✓ DO NOT place additional pressure or weight on a wall mounted unit. The unit may fall.
- ✓ DO NOT use unit near explosive gases. Fires may occur.
- ✓ Remove ALL packaging before using.
- ✓ Plug into a Ground Fault Circuit Interrupter (GFCI), a receptacle to protect you if water and electricity mix. Properly ground the Bottle Warmer. Failure may increase the risk of electric shock.

DESCRIPTION

Your Bottle Warmer is a simple and trouble-free unit to operate. The housing, cylinders and bottom are all made from type 304 stainless steel. The control is an ON/OFF switch on the front of the unit. The internal thermostat/temperature sensor is non-adjustable and preset to a normal operating temperature. The unit has removable plastic bottles for therapeutic lotions and gels.



BACK VIEW



FRONT VIEW



SETTING UP

1. Your new Bottle Warmer includes the following:

- ✓ (1) Bottle Warmer Model -EBW1, -EBW2, -EBW3, or -EBW4
- ✓ (1,2,3 or 4) 8 ounce plastic dispenser bottle(s)
- ✓ (1) Wall mounting hardware package
- ✓ (1) Warranty Registration Card
- ✓ (1) Operating Instructions Booklet with Wall Mounting Template

If you are missing anything, please call the phone number listed on the inside front cover.

2. Unpacking your Bottle Warmer

Remove all shipping material. Remove the dispensing bottles. Clean the unit and dispensing bottles thoroughly before using.

3. Device Placement

Place the Bottle Warmer at a convenient level, such as on a table or a scratch-resistant counter-top. Before moving the Bottle Warmer, unplug and cool the unit. The unit may also be wall mounted, using the template supplied. Follow the instructions printed on the template.

CHECKING OUT my Bottle Warmer

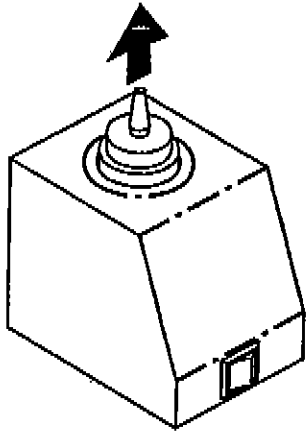
Before the FIRST use, check the following:

- 1 - The Bottle Warmer should be level.
- 2 - The Bottle Warmer should be plugged directly into a properly grounded GFCI receptacle. Do not use an extension cord. Under sized extension cords can overheat.
- 3 - The Bottle Warmer should be in good condition.
- 4 - The dispensing bottles should be filled to within 1/2" of the top.

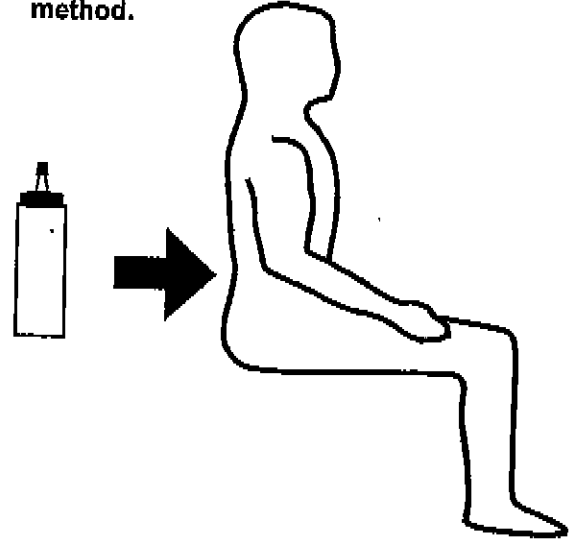
Your new Bottle Warmer is now ready to use. If you have any questions about SETTING UP or CHECKING OUT your unit, please call the phone number listed on the inside front cover.

USING the Bottle Warmer

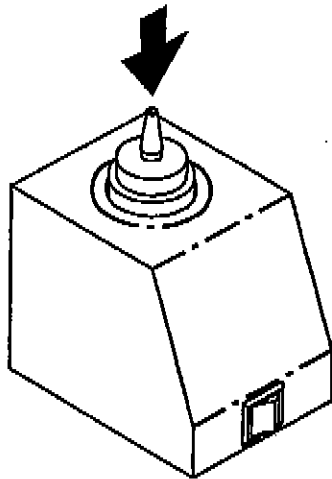
① Remove the dispensing bottle from the Bottle Warmer.



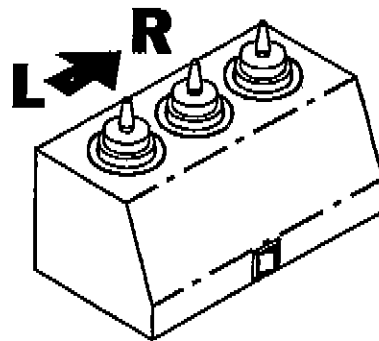
② Apply the gel or lotion in the prescribed method.



③ Return the dispensing bottle to the Bottle Warmer for reheating.



④ For multiple bottle units, use dispensing bottles starting on left and working towards right. Refill emptied bottles following instructions on page 7.



CAUTION



- DO NOT apply the gels or lotions over cuts, lacerations or abrasions.
- DO NOT use additives, disinfectants or other chemicals in the dispensing bottles.
- Use extra care and judgement when using the Bottle Warmer with infants and the elderly.
- Use extra care and judgement when using the gels or lotions on thin skin or "bony" areas.
- During treatment, check the condition of the patient and the treated area often.

CLEANING

1-You will need:

- Sponge, cloth or non-abrasive cleaning pad.
- Stainless steel cleaner, such as Sheila Shine® or 3M Stainless Steel Cleaner & Polish.**
- Synthetic abrasive cleaning pad, such as Scotch-Brite®.**
- Soap, ammonia, detergent or mild disinfectant.
- Household wax (Color-coated units only).
- Mild acid such as white vinegar.**

Scotch-Brite®.**

**Use ONLY on stainless steel surfaces.



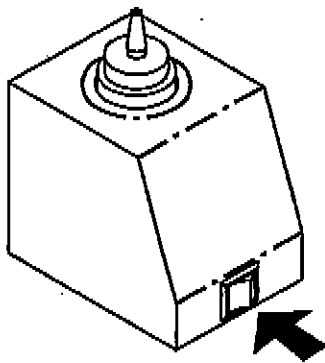
CAUTION



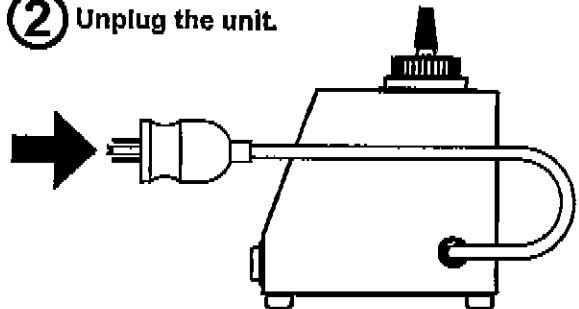
- DO NOT use steel wool - it will rust and embed in the stainless steel surface.
- DO NOT use bleach, chlorinated solvents or other chemicals - they will leave a residue on your unit and will shorten the life of the dispensing bottles.

2-Routine Cleaning (every 2 weeks or as needed).

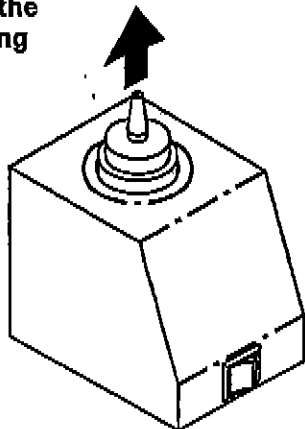
- ① Facing the front of the unit, find the red power switch in the lower, center of the unit. Turn the power to the OFF position. The light will go out.



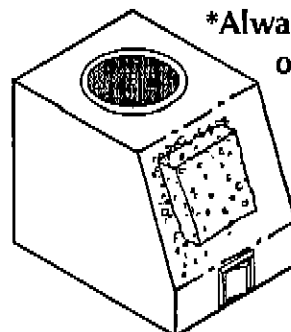
- ② Unplug the unit.



- ③ Let the gel cool to room temperature. Remove the dispensing bottle(s).



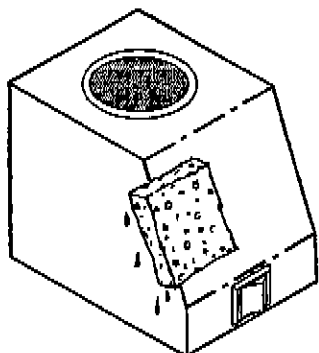
- ④ Wash inside and outside with a sponge, cloth or cleaning pad using a mild soap solution. For "hard water" spots and scale, scrub the area using a strong solution of vinegar and water. Let stand for 5 minutes.



*Always rub in the direction of the polish lines.

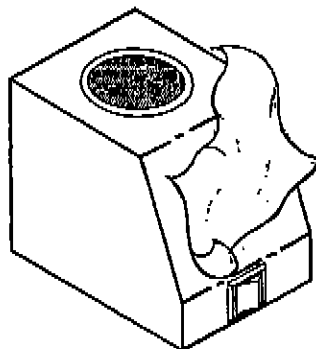
CLEANING (continued)

- ⑤ Rinse thoroughly with clean tap water.



*Always rub in the direction of the polish lines.

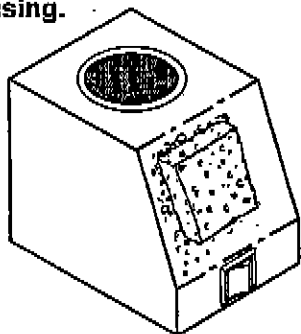
- ⑥ Dry with a soft cloth to avoid water marks.



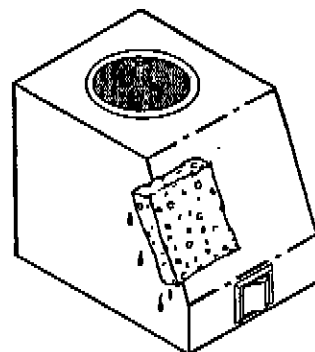
*Always rub in the direction of the polish lines.

3-Special Cleaning (Color coated surfaces).

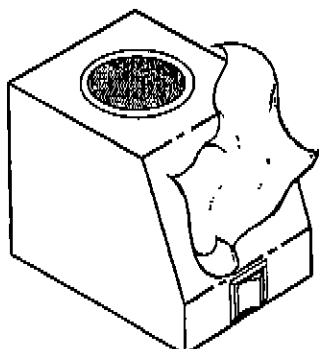
- ① Follow steps 1 - 4 on page 8 (Do not use vinegar on color coated surfaces). Wash the outside with a sponge or cloth using a mild soap solution. Do not use abrasive compounds, cleanser or pads. Verify the resistance to chemicals and solvents before using.



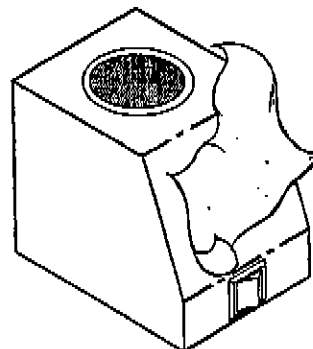
- ② Rinse thoroughly with clean tap water.



- ③ Dry with a soft cloth to avoid water marks.



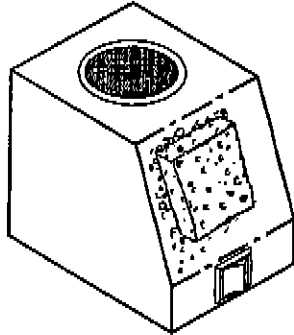
- ④ To maintain and restore gloss, use a household wax.



CLEANING (continued)

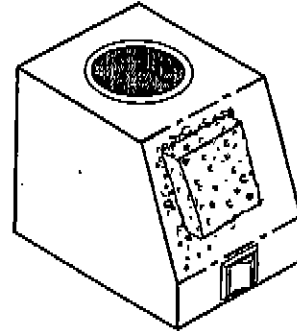
4-Special Cleaning(stains, spots and scratches-stainless steel surfaces only).

- ① Follow steps 1-4 on page 8. Apply the stainless steel cleaner to a damp cloth, sponge, or synthetic cleaning pad. Follow manufacturer's instructions for using cleaner.



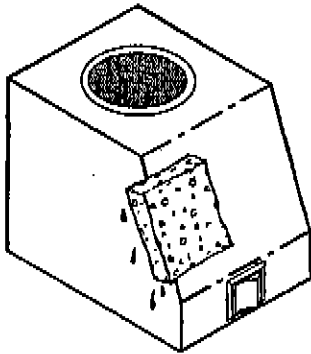
*Always rub in the direction of the polish lines.

- ② Wash inside and outside with a sponge, cloth or cleaning pad using a mild soap solution.



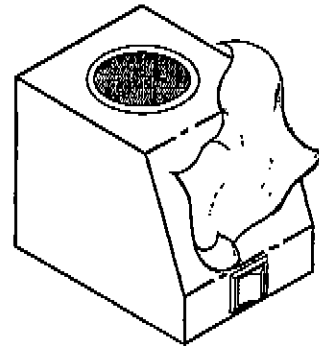
*Always rub in the direction of the polish lines.

- ③ Rinse thoroughly with clean tap water.

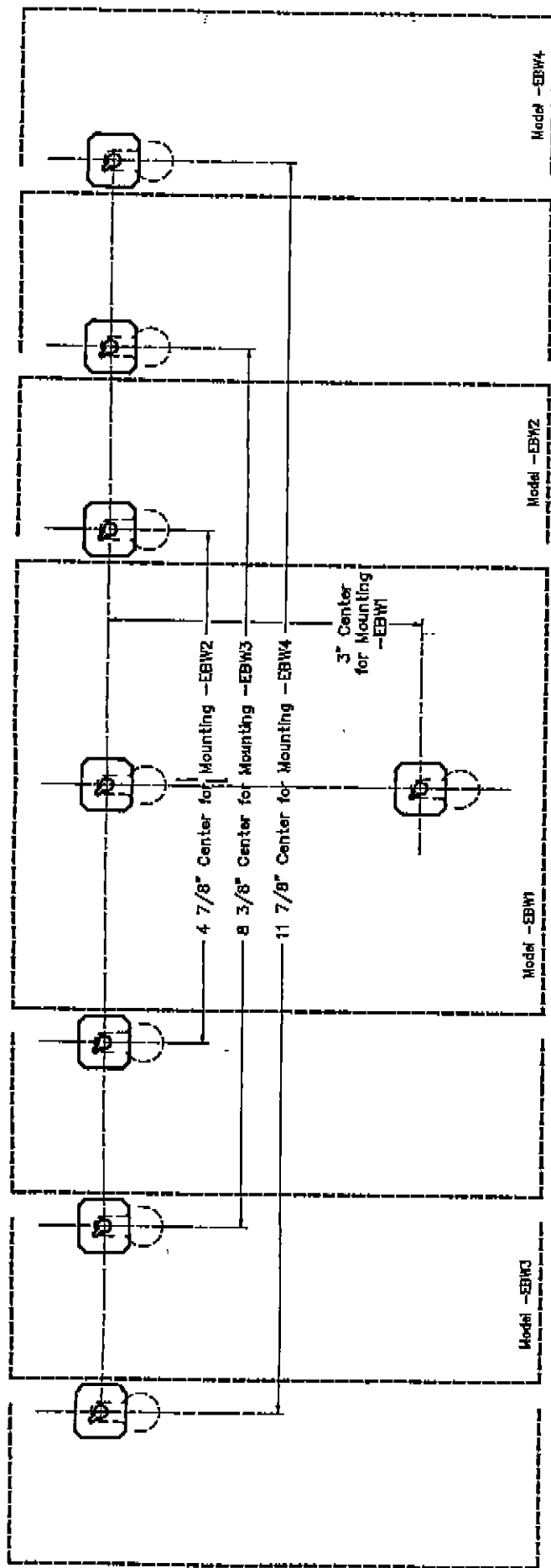


*Always rub in the direction of the polish lines.

- ④ Dry with a soft cloth to avoid water marks.



*Always rub in the direction of the polish lines.



Bottle Warmer Mounting Template

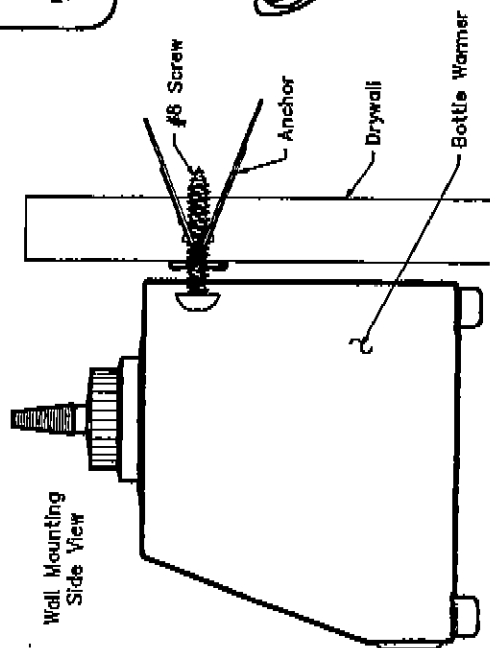
⚠ Caution ⚠

The anchors and screws support the Bottle Warmer and full bottles only. Putting additional weight on the unit may cause failure. This can damage the Bottle Warmer and may result in injury.

Instructions for Use

- The tools you will need
- * Hammer
 - * Phillips Screwdriver
 - * Scotch Tape
 - * Ruler
 - * Level
- 1- Remove this template from the Operating Instructions booklet.
 - 2- Tape this template to the wall with the Scotch Tape. Make sure the anchors clear the wall studs and the top edge of the template is level.
 - 3- Align the Bottle Warmer with the top edge of the template and the dashed outlines to show the finished location. Remove the Bottle Warmer. Repeat Step 2, if necessary.
 - 4- Using the hammer, pound the anchors straight into the wall, through the template. Make sure the anchors match these center to center dimensions:

-EBW1	3" Vertical	-EBW3	8-3/8" Horizontal
-EBW2	4-7/8" Horizontal	-EBW4	11-7/8" Horizontal
 - 5- Using the Phillips screwdriver, turn the #8 screw clockwise into the anchor until it stops. Turn the screw 1 full turn counter-clockwise.
 - 6- Tear this template off the wall. Align the slotted holes in the back of the Bottle Warmer with the screws in the wall. Slide the Bottle Warmer down onto the screw until it stops. Your Bottle Warmer is now ready for use.



Whitehall Manufacturing, Inc.
 15058 Procter Avenue
 P.O. Box 3527
 City of Industry, CA 91744

Phone: (800) 782-7706
 (818) 958-6661
 Fax: (818) 855-4882



PROBLEM	CAUSE	SOLUTION
Does not heat	Element is burned out	Unbolt the old element and replace new elements.
Does not heat	Thermostat is burned out	Unbolt the old thermostat. Remove wires. Slid new thermostat under element. Replace wires and bolt new thermostat onto canister.
Unit smoking	Overheating- Melt down	If all the wiring is burned, it is better and less expensive to just buy a new unit. Otherwise, replace all wiring and elements
On/off switch doesn't light up	Thermal fuse burned out	Unscrew old fuse, unhook wires, and replace on new fuse. Screw in new fuse.
On/off switch doesn't light up	On/off switch melted	(Maybe caused by a complete meltdown.) Snap out old switch and place the new switch brass color prongs on the left, silver towards the right. Follow wiring instructions as to what plugs into which slot.



MAINTENANCE

The Bottle Warmer design is nearly maintenance-free. It should, under most conditions, give many years of reliable service.

1-Routine Maintenance (as needed)

- Follow steps 1-6 on pages 8 and 9 for Routine Cleaning.
- Always keep the dispensing bottles full. Refill the bottles as needed.

2-Monthly Maintenance

- Follow steps 1-4 on page 10 for cleaning stains, spots and scratches.

3-Yearly Maintenance

- Have a professional electrician thoroughly check the following:
 1. Test for leakage current, dielectric strength, receptacle polarity and ground. If you need test details, call the phone number listed on the inside front cover.
 2. Check the power cord and plug. They should be free of cuts, abrasion and other damage. Replace the power cord assembly if it is damaged. Use only factory authorized replacement parts.
 3. Remove the cover and check all electrical components and connections. Replace any parts that are in questionable condition. Use only factory authorized replacement parts.

STORAGE

1-Storing the Bottle Warmer

- Follow steps 1-6 on pages 8 and 9 for Routine Cleaning.
- Place the Bottle Warmer upright in a dry area away from any chemicals.

TROUBLESHOOTING

Problem	Cause	Solution
Gel doesn't get warm, even though unit is plugged in and switch is ON.	-Circuit breaker is off. -Thermostat is not working. -Thermal fuse has been burned out. -The ON/OFF switch is broken	-Turn on the circuit breaker. -Replace the thermostat -Replace the thermal fuse. -Replace the switch
Rust in unit.	-Contact with ferrous metal.	-Remove the ferrous metal item from the unit-usually a staple, paper clip, safety pin, etc. Clean thoroughly.



TECHNICAL INFORMATION

Electrical Information

The Electric Bottle Warmer, Models -EBW1, -EBW2, -EBW3, -EBW4 requires 120 Volts AC and 60 Hz. The -EBW1 will draw .25 amps; the -EBW2 draws .5 amps; the -EBW3 draws .75 amps; the -EBW4 draws 1 amp. The 8' power cord ends with a "Hospital Grade" plug, an Underwriters' Laboratories Inc. verification for abuse resistant wiring devices. The other electrical components include double pole, single throw (DPST) lighted ON/OFF switch, a one-shot thermal fuse, a snap action thermostat and fiberglass insulated rope heaters.

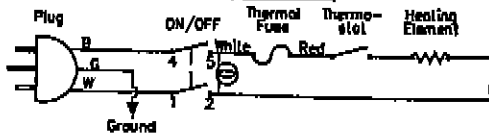
Replacement Parts

ITEM	PART NUMBER	DESCRIPTION
1	0112-002-000	#10-32 x 1/2" stainless steel screw
2	0302-003-000	#8-32 stainless steel hex nut
3	0302-004-000	#10-32 stainless steel hex nut
4	0316-020-000	#10-32 tinnerman nut
5	0331-003-000	#8 stainless steel lockwasher
6	0352-008-000	Clamp
7	0709-201-001	Heating Element-female quick disconnects
8	0709-201-002	Heating Element-male & female quick disconnects
9	0710-451-000	Snap action thermostat
10	0710-452-000	Thermal fuse
11	0711-102-001	Wiring harness-White, 6"
12	0711-128-001	Wiring harness-Red, 4"
13	5805-104-199	Bottom cover (-EBW1)
14	5805-106-002	Cylinder assembly-5 weld studs
15	5805-106-003	Cylinder assembly-2 weld studs
16	5805-120-001	Wall Mounting hardware package
17	5805-204-199	Bottom cover (-EBW2)
18	5805-304-199	Bottom cover (-EBW3)
19	5805-404-199	Bottom cover (-EBW4)
20	5805-510-001	8 oz. Dispensing bottle w/cap
21	6504-603-000	Stick-on foot
22	6505-030-001	Cord set hospital-grade with terminals
23	6505-510-000	On/Off switch (DPST w/ lamp)
24	6505-520-000	Strain relief

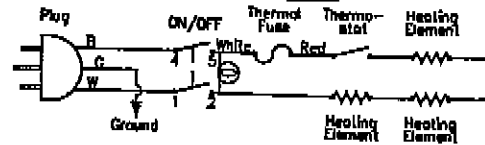
TECHNICAL INFORMATION

Electrical Information

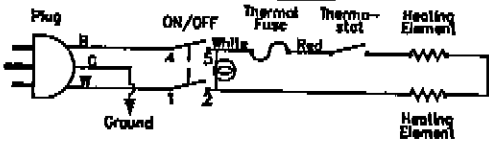
Model -EBW1



Model -EBW3



Model -EBW2



Model -EBW4

