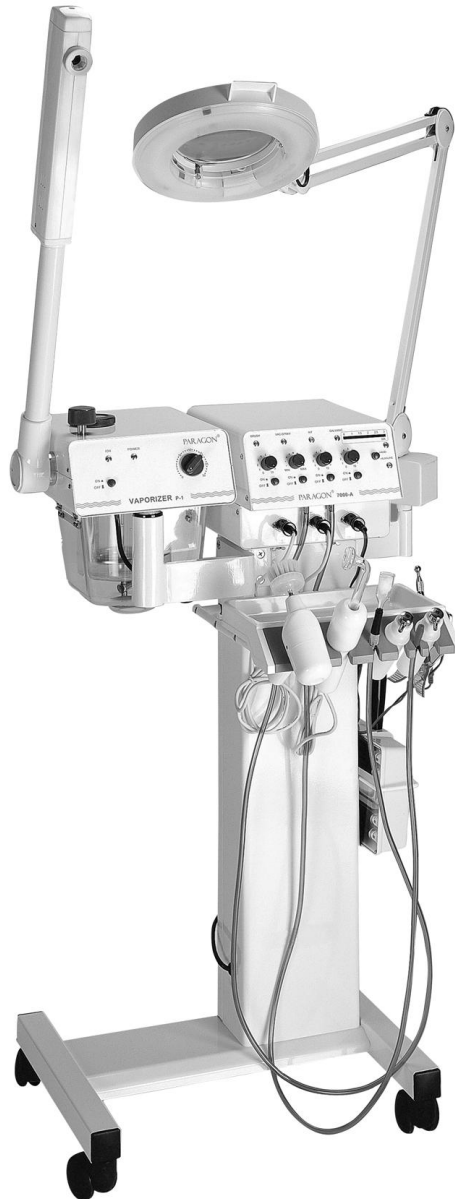




## INSTRUCTIONS MANUAL

---

# PARAGON<sup>®</sup> 7000 MULTI-FUNCTION SKIN CARE UNIT



### About this manual

Before installing and using this unit, please read this manual carefully. Be sure to keep it available for later reference.

### Attention

Only professional, state-licensed estheticians are allowed to operate this skincare system. Any violations will void the warranty and operator shall be responsible for and damages to the machine and/or clients.

# IMPORTANT SAFEGUARDS

READ ALL INSTRUCTIONS BEFORE USING

Caution and proper procedures must be practiced at all times when using electrical appliances. As with most electrical appliances, electrical components in these units are electrically live even when the switch is in the off position.

**DANGER - KEEP AWAY FROM WATER**

## ATTENTION

**To reduce the risk of electrocution:**

1. Always unplug after use.
2. Always unplug before cleaning and removing parts.
3. Do not place or store where unit(s) can fall or be pulled into a tub, sink, or other water receptacles.
4. Do not use while bathing or immersed in water.
5. Do not use near or place near water.
6. If unit(s) falls into water, unplug immediately. Do not reach into water.

## WARNING

**To reduce the risk of burns, electrocution, fire or injury to persons:**

1. This product is for commercial use only.
2. Only connect with an outlet with rating equal to or exceeding the rating of this appliance.
3. Firmly connect the electric cord to the outlet to ensure proper grounding.
4. Connect this appliance to a properly grounded outlet only.
5. Do not permit children to play on or operate unit(s).
6. Do not permit persons who are unfamiliar with the proper operation of the unit(s) to operate it.

7. Unit(s) should never be left unattended when plugged in.
8. Close supervision is necessary when this appliance is being used by or near children and persons with special needs.
9. Use this appliance only for its intended use as described in this manual. Do not use attachments not recommended by the manufacturer.
10. Never operate this appliance if it has a damage cord or plug; if it is not working properly; if it has been dropped or damaged; dropped into water. Return the appliance to an authorized service center for repair or replacement.
11. Keep cord away from heated surfaces.
12. Never block ventilation openings or place the appliance on soft surfaces, such as bed or couch, where the air passage may be blocked.
13. Clean once a week and keep the ventilation openings free from obstruction.
14. Never use while sleeping.
15. Never drop or insert any object into any opening, hose, hole, shaft, or duct.
16. Do not use outdoors or operate where aerosol (spray) products are being used or where oxygen is being administered
17. Do not direct treatment towards the eyes or other heat sensitive areas.

**CAUTION**  
RISK OF ELECTRIC SHOCK, DO NOT OPEN!

CAUTION: TO REDUCE THE RISK OF ELECTRICAL SHOCK, DO NOT OPEN COVERS. NO USER SERVICEABLE PARTS INSIDE. REFER SERVICING TO QUALIFIED SERVICE PERSONNEL.



**PRECAUCION**  
RIESGO DE CHOQUE ELECTRICO. ¡NO ABRIR!

PRECAUCION: PARA REDUCIR EL RIESGO DE CHOQUE ELÉCTRICO, FAVOR NO ABRIR LA CUBIERTA. ESTE EQUIPO NO CONSTA DE PIEZAS O PARTES QUE REQUIEREN SERVICIO O MANTENIMIENTO. PARA REPARACIONES FAVOR REFERIRSE A

## CONTENTS

UNPACKING .....	4
SERVICE .....	4
ASSEMBLY .....	4
MAGNIFYING LAMP .....	4
STEAMER/ VAPORIZER .....	5
ROTARY BRUSH .....	6
VACUUM & SPRAY .....	7
HIGH FREQUENCY .....	8
GALVANIC .....	9
NOTES .....	10

## 1 UNPACKING

Unpack carefully. This is an electromechanical device and should be handled carefully.

**BE SURE TO REMOVE ALL FOAM PACKING FILLER BEFORE APPLYING POWER TO THE UNIT.**

Check to ensure that the following items are included:

- 10 screws
- Platform base with 4 wheels
- Tower Stand w/ metal tray and magnifying lamp stem mount
- Plastic Tray For Instruments
- Magnify Lamp
- P-1 Facial Steamer & Swinging Arm Bracket
- Brush Unit
  - Pre-assembled handle complete
  - 5 Brushes
- Vacuum & Spray Unit
  - Pre-assembled handle complete
  - 3 Glass Ventricles
  - 2 Spray Bottle Atomizers
  - 2 Connector Tubes (yellow & green)
- High Frequency Unit
  - Pre-assembled handle complete
  - 4 Glass Electrodes
- Galvanic Unit
  - Pre-assembled handle complete
  - 3 Attachments, 1 cotton clamp
  - Rubber grounding disc w/ pouch
  - Grounding clamp
- Hand-held Wood's lamp

If an item appears to have been damaged in shipment, replace it properly in its carton and notify the shipper. If any items are missing, contact your distributor.

The shipping carton is the safest container in which the unit may be transported. Save it for possible future use.

## 2 SERVICE

If the unit ever needs repair service or parts, the customer should contact the distributor or call Paragon Technical Support 1(888) 731-6688.

## 3 ASSEMBLY

Please use proper care when mounting instruments onto your Multi-Function Facial Unit.

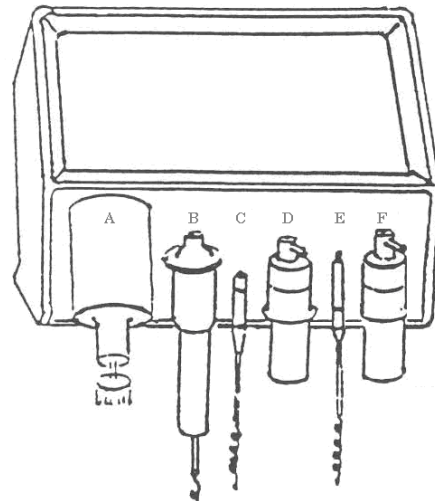
- A. Carefully lift the steamer and place onto steamer stem.
- B. Carefully lift the lamp and place the lamp stem into the lamp stem holder.

### 3.3 Hand-Instruments

Place hand instruments in designated slots.

- A. Brush
- B. High Frequency
- C. Vacuum Tubing
- D. Spray Bottle
- E. Spray Tubing
- F. Spray Bottle
- G. Galvanic Clamp and wand on side (not shown in diagram)

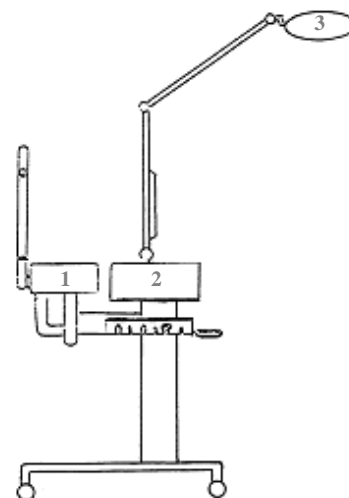
FIGURE 3.3



### 3.4 Arranging the Units

- #1 Steamer
- #2 Facial Functions Box
- #3 Mag Lamp

FIGURE 3.4



## 4 MAGNIFYING LAMP

The magnifying lamp is most commonly used during examination, cleansing, and extraction.

### 4.1 Bulbs

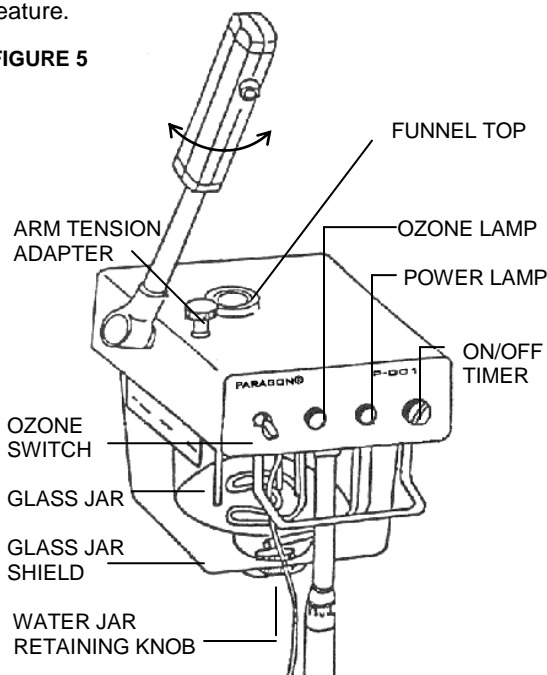
The magnifying lamp uses a 22W circular cool white fluorescent bulb protected by a plastic cover. For replacement bulbs, please visit your local hardware store or contact your distributor. The following are instructions for replacing a broken bulb.

- A. CAUTION! Use caution when removing broken bulbs. There may be broken glass.
- B. Unplug the lamp and carefully remove from the lamp stem mount.
- C. Lay the lamp face up. Unscrew (3 screws) and remove the lamp cover.
- D. If necessary, empty the contents of the lamp case.
- E. Remove the broken bulb by gently tugging on the protected area of the bulb. Install the new bulb by inserting the 4-prong plug into its receptacle.
- F. Replace the lamp cover by securing the 3 screws.
- G. Carefully lift the lamp and replace the lamp stem into the stem holder.

## 5 STEAMER / VAPORIZER

The facial steamer (also referred to as a vaporizer) is used after cleansing and analyzing to prepare the skin for treatment. The P-1 is equipped with a vapor-spraying arm capable of moving both left-right and up-down. A 30 minute timer and burn guard is included as a standard feature.

FIGURE 5



### 5.1 WARNINGS!!

- A. **USE ONLY DISTILLED WATER WITH THIS MACHINE. DISTILLED WATER SHOULD BE USED TO HELP PROLONG THE LIFE OF THE MACHINE. DO NOT RUN CHEMICALS THROUGH THE APPLIANCE SUCH AS CLEANING AGENTS OR AROMA ADDITIVES. THESE CLOG THE WATER WAYS BY LEAVING DEPOSITS.**
- B. **TO AVOID STEAMER BURNOUT DO NOT TEST DRY THE APPLIANCE BY LETTING THE WATER LEVEL FALL BELOW THE BOTTOM RED LINE.**
- C. **TO PREVENT WATER FROM SPOUTING- ALWAYS MAINTAIN THE DISTILLED WATER LEVEL BETWEEN THE UPPER AND LOWER RED LINES.**
- D. **TO EXTEND THE LIFECYCLE OF THE HEATING ELEMENT AND TO PREVENT THE GLASS JAR FROM CRACKING, DO NOT ADD COLD WATER WHILE WATER IS HOT. WAIT FOR WATER TO COOL BEFORE ADDING MORE WATER.**

### 5.2 Operation

**CAUTION: DO NOT ATTEMPT TO REMOVE OR INSERT THE GLASS JAR WHEN HOT, DURING USE, OR IMMEDIATELY AFTER USE.**

**BEFORE TURNING ON THE STEAMER, FILL THE WATER JAR TO THE TOP RED LINE. DO NOT OVERFILL ABOVE TOP RED LINE.**

- A. Remove glass jar. Hold the jar with one hand and use the other hand to simultaneously turn the retaining knob w/ screw. Swing the elbow away and carefully remove the glass jar.
- B. Check for the red rubber ring resting atop the glass jar. Its function is to help seal the water jar and to prevent water leaking.
- C. Pour distilled water into the glass jar. To prevent water from spouting do not to exceed the red top line.
- D. Turn the timer switch to the ON position. Wait 7-10 minutes for steam to appear. Wait 1 full minute before use.
- E. Turn the ozone switch on as needed.
- F. Cover the client's upper chest area with towel or cloth to absorb excess moisture.

- G. Adjust the steam nozzle to the correct distance, approximately 1 foot from face. Let the steam flow out in an upward direction from the customers chin and up

### 5.3 Ozone

Ozone is a form of oxygen sometimes used as a form of disinfectant. The ozone function in the facial steamer is an option. Check with applicable regulatory agencies such as the Department of Health and the Cosmetology State Board concerning the use of ozone in your area.

### 5.1 Aroma Therapy Nozzle

The AT-2 Aroma Therapy Nozzle is an optional item that can be easily attached to the steamer nozzle for the use of aromatic therapy oil. This party allows the client to experience the benefits of aromatic oils while simultaneously protecting the appliance from clogging and spouting.

### 5.2 Maintenance

All appliances should be cleaned once a week.

- A. Distilled water should be used in the Vaporizer. The use of tap water will eventually cause malfunction of the machine, due to calcium and mineral deposits.
- B. Do not use harsh chemical to clean the appliance. Use a soft brush to clean heating elements.
- C. Always maintain the distilled water level above the lower red line and below the top red line. In order to protect the heating element from burning out, the appliance has a safety feature installed. The low water level sensor safety fuse will shut off the appliance if the water is below the lower red line marked on the water jar. If the water is constantly below the lower red line, the low water level sensor safety fuse may burn out.

### 5.6 Troubleshooting

When machine fails to work properly, use the following directions to detect the cause of the problem:

- A. Check the power cord for proper connection.
- B. Make sure the timer switch is in the ON position.
- C. Check the power source by connecting another electrical appliance to the AC outlet.
- D. Restart the unit. Move the power switch to its OFF position. Wait 5-10 minutes before turning the steamer back on.
- E. If water is leaking, wait until the jar is cooled, then try to tighten the retaining screw located beneath the jar. Check

that the red rubber ring is in the proper position.

- F. Some units are equipped with a heat-sensing thermostat safety fuse. If your unit(s) becomes too hot or if the water level falls below the red line, the thermostat will shut off the heating element. After cooling to the proper temperature, the element will operate normally. Wait until both the heating element and glass jar cools before adding water.
- G. If the water level is below the lower red line, the thermostat may burn out. If the thermostat has burned out, the power lamp will not light and the steamer will not turn on. Please contact an authorized agent for repair.
- H. If the problem persists, please contact your dealer for assistance. To prevent an electrical shock, PLEASE DO NOT REMOVE THE COVER.

### 5.7 Warranty

- A. The glass jar is not a warranty item
- B. The low-water level sensor safety-fuse is not a warranty item.

## 6 ROTARY BRUSH

The Rotary Brush is useful when sloughing dead cells and removing dirt that clings to the surface of the skin. It is important to brush the skin before commencing further treatment. Included with this unit should be a pre-assembled complete handle and 5 rotary brushes.

### 6.1 CAUTION!

- A. In a skin treatment process, before brush peeling, the client's face must be thoroughly cleansed and steamed. Peeling should begin from the neckline or throat, continuing to the jaw, chin, cheeks, upper lip, nose and forehead; respecting the more sensitive eye area.
- B. The following skin conditions are NOT recommended for brush peeling: Varicose Vetas, Adenitis, Wounds, Telan Giectusia, Eczema, Pustulos acne, Furunculosis and Tosaces.

### 6.2 OPERATION

- A. Connect brush handle cord to the machine and tighten by turning clockwise.
- B. Select appropriate brush and insert into the brush holder. It will automatically lock in place.
- C. Press the power button to its ON position.

- D. Turn the SPEED ADJUSTMENT knob clockwise to the speed desired for treatment. Turn the knob counter clockwise to decrease the speed.
- E. To change brushes, turn the power switch to the OFF position. Use a slight force to pull brush out of the handle. Insert desired brush.
- F. After treatment, turn the speed adjustment knob to MIN and turn the power switch to its OFF position.

### Maintenance

Attachments should be sanitized after each use.

- A. Wash brushes thoroughly with soap and warm water.
- B. Dip the brushes bristles in alcohol for 5 minutes allowing them to sterilize. Remember to only dip the brush bristles. Do not dip metal part of brush attachment.
- C. Dry brushes and store in sterilizer cabinet.

### 6.3 Troubleshooting

When machine fails to work properly, use the following directions to detect the cause of the problem:

- A. Check the power cord for proper connection.
- B. Make sure the power switch is in the ON position.
- C. Check the power source by connecting another electrical appliance to the AC outlet.
- D. The "speed adjustment" knob should be adjusted clockwise to the speed desired for treatment use. If the knob is in the MIN position, the machine will not turn on.
- E. This rotary brush unit has an automatic shut-off system to protect the IC Board. The shut off system will be activated when the brush's motor is broken or when the brush handle is pressed too hard against the skin. The brush unit will come to an automatic stop. If this occurs, please turn the power switch to its OFF position. Wait approximately 1-2 minutes before turning the brush unit back on.
- F. If the rotation switch on the brush handle is resting in the center position, the brush unit will not turn on. Move the switch up or down to begin brush rotations.
- G. If the problem persists, please contact your dealer for assistance. To prevent an electrical shock, PLEASE DO NOT REMOVE THE COVER.

## 7 VACUUM & SPRAY

The vacuum system aids deep pore cleansing and is also referred to as the suction machine. The suction removes out deeply embedded dirt, sedum and other impurities. Another benefit is a deep penetrating massage, drawing blood to the surface of the skin. Included with this unit should be a pre-assembled complete handle, 3 glass ventuoses, and 2 spray bottles.

### 7.1 CAUTION!

- A. Different skin types require different treatments, vacuum treatment time varies. Please use at your discretion. When the skin is thin, dry or aging a light suction is recommended. For oily skin, it is recommended that the vacuum treatment be performed after the disincrustation treatment with the galvanic current.
- B. Note: the vacuum suction does not dislodge blackheads.

### 7.2 Vacuum Operation

- A. Select the appropriate ventouse and insert to the black adapter (a metal connector w/ a built in filter).
- B. Connect the air tubing with the black adapter to the ventouse.
- C. Press the power button to its ON position.
- D. Turn the VACUUM ADJUSTMENT KNOB knob clockwise.
- E. The ventouse control hole should be covered when after the ventouse has made contact with the skin and should be uncovered when taken off the skin.
- F. After the vacuum treatment is complete, use the spray to lightly cover the face with toner, and pat dry with cotton pads or a clean towel. This will help remove any debris left on the skin and close the pores.

### 7.3 Spray Operation

The spray bottle can be filled with distilled water or toner. The spray bottle is not recommended to be filled with lotion. Lotion is too thick and will cause the blockage of the very fine spray hole in the cap.

- A. Connect the red adapter to the spray bottle.
- B. Hold the bottle in an upright position.
- C. To dispense water, place your finger over the small hole at the top of the bottle.

### 7.4 Maintenance

Attachments should be sanitized after each use.

- A. Wash glass ventuoses and attachments thoroughly with soap and warm water.

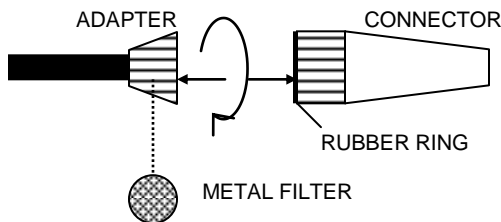
- B. Soak the glass ventouses in alcohol for 5 minutes allowing them to sterilize.
- C. Dry ventouses and store in sterilizer cabinet or autoclave.

### 7.5 Troubleshooting

When machine fails to work properly, use the following directions to detect the cause of the problem:

- A. Check the power cord for proper connection.
- B. Make sure the power switch is in the ON position.
- C. Check the power source by connecting another electrical appliance to the AC outlet.
- D. If the vacuum suction force is not strong enough, turn the VACUUM ADJUSTMENT KNOB clockwise to the maximum setting. If this does not work, try cleaning the metal filter within the yellow adapter by detaching the yellow connector and removing the filter (Figure 7.5).

FIGURE 7.5



- E. If the spray bottle fails to spray, try using a small wire to clean the small passageway hole on the spray head.
- F. If the problem persists, please contact your dealer for assistance. To prevent an electrical shock, PLEASE DO NOT REMOVE THE COVER.

## 8 HIGH FREQUENCY

The High-Frequency machine generates a current characterized by a high rate of oscillation. This current is thermal (or heat producing), and germicidal. Included with this unit should be a pre-assembled complete handle and 4 glass electrodes.

### 8.1 CAUTION

- A. High Frequency currently should not be used when the client is pregnant or on clients who may have a pacemaker.
- B. The client's skin must not come in contact with any metal objects and must remove jewelry from hand, arms and neck, prior to facial treatment.

- C. High Frequency current should never be used on the areas of the skin moistened with inflammable liquids (alcohol, ether, etc...) as the sparks produced, could cause them to ignite, causing severe burns. If it is desirable to use this type of lotion, the High Frequency is used first and then the lotion can be applied after the High Frequency treatment.
- D. When using the High-Frequency unit comes with four glass electrodes. The large mushroom electrode is for facial treatment; the spoon electrode is for neck, legs and arms; the straight electrode is for treatment and face; and the pointer is for small areas.

### 8.2 Operation

- A. Attach High Frequency electrode holder cord to machine and tighten by turning clockwise.
- B. Insert the desired electrode into holder.
- C. Estheticians should first have the electrode in contact with the client's skin before turning on the power switch.
- D. Press the power button to its ON position, and select the appropriate power according to your client's sensitivity.
- E. During the process do not let the electrode jump then touch the area being treatment.
- F. To increase the power of the electrode, turn the INTENSITY KNOB clockwise. To decrease the power of the electrode, turn the intensity knob counter clockwise.
- G. When changing electrodes, adjust the intensity knob to MIN then turn power switch to the OFF position. Remove the electrode from the holder and insert the desired electrode into the holder. Turn the power switch to the ON position.
- H. After treatment adjust intensity knob to MIN and turn the switch off.

### 8.3 Maintenance

- Attachments should be sanitized after each use.
- A. Wipe glass electrodes and attachments with rubbing alcohol and a soft cloth.
  - B. Dry electrodes and store in sterilizer cabinet or autoclave.

### 8.4 Troubleshooting

When machine fails to work properly, use the following directions to detect the cause of the problem:

- A. Check the power cord for proper connection.
- B. Make sure the power switch is in the ON position.

- C. Check the power source by connecting another electrical appliance to the AC outlet.
- D. When a glass electrode does not glow, use another electrode to charge the dull electrode. Cross the two like an "X" charging for 1 minute. After this process, both electrodes should glow. If the electrode(s) still do not glow, the electrode(s) may need to be replaced.
- E. If the problem persists, please contact your dealer for assistance. To prevent an electrical shock, PLEASE DO NOT REMOVE THE COVER.

## 9 GALVANIC

The galvanic current is a low level and direct current. Chemical changes are produced when this current is passed through certain containing acids and salts: (1) to soften grease and sebum deposits (2) to introduce water soluble treatment products into the skin. Included with this unit should be a pre-assembled complete handle, 3 attachments, a rubber grounding clamp, and grounding pouch.

### 9.1 CAUTION!

- A. **DO NOT USE THIS UNIT ON PEOPLE WITH PACEMAKERS OR CONTACT LENSES.**
- B. **PREGNANT WOMEN SHOULD CONSULT THEIR DOCTORS FIRST.**
- C. **DO NOT USE THE GALVANIC CURRENT OVER AN AREA HAVING MANY BROKEN CAPILLARIES.**
- D. **CLIENTS SHOULD REMOVE JEWELRY AND ALL METAL OBJECTS FROM BODY BEFORE TREATMENT BEGINS.**

### 9.2 Introduction

There are two poles or terminals, a negative (-) and a positive (+). Polarity determines the flow of galvanic current.

- A. Positive Pole (Anode)
  - a. Close the follicles (pores) after the facial treatment.
  - b. To decrease redness, as in mild acne.
  - c. To prevent inflammation after comedone and blemish treatment.
  - d. To force acid PH solution such as astringent into the skin.
- B. Negative Pole (Cathode)
  - a. Stimulate the circulation of blood.
  - b. Force disincrustation lotion into the skin.

### 9.3 Operation

- A. Wet the black galvanic pouch with tap water (distilled water is not as conducive) and slip the black pouch onto the grounding clamp.
- B. Secure grounding clamp and pouch to client.
- C. Wet the area of skin to be treated with lotion or toner.
- D. Select the polarity to be used.
- E. Press the power button to its ON position, and select the appropriate power according to your client's sensitivity. The current should be turned on to its lowest amperage to start.
- F. Note: the client may experience a metallic taste in the mouth. A slight prickling sensation may indicate that the current is too strong. Adjust the power to the client's sensitivity.

### 9.4 Maintenance

Attachments should be sanitized after each use.

- A. Wipe attachments with rubbing alcohol and a soft cloth.
- B. Dry attachments and store in sterilizer cabinet or autoclave.

### 9.5 Troubleshooting

When machine fails to work properly, use the following directions to detect the cause of the problem:

- A. Check the power cord for proper connection.
- B. Make sure the power switch is in the ON position.
- C. Check the power source by connecting another electrical appliance to the AC outlet.
- D. If the power lamp is not on, this may indicate that there is poor conductivity. Wet the grounding pouch with tap water and the skin to be treated with lotion or toner. (Refer to 9.3)
- E. If the problem persists, please contact your dealer for assistance. To prevent an electrical shock, PLEASE DO NOT REMOVE THE COVER.



## **10 WOOD'S LAMP**

The wood's lamp is used to help analyze skin conditions. Skin conditions reflect different colors when viewed under the deep ultra-violet light.

### **10.1 CAUTION!**

- A. AVOID LOOKING DIRECTLY INTO THE LIGHT SOURCE WHILE THE LAMP IS**
- B. DO NOT ALLOW THE LAMP TO OVERHEAT.**
- C. AVOID DIRECT CONTACT BETWEEN THE BULB AND SKIN.**

### **10.2 Operation**

- A. Cover the clients eyes with a thick cotton pad
- B. Press the power button to its ON position.

## **11 NOTES**

### **11.1 Service**

This is a commercial use appliance, and all servicing should be performed by an authorized representative.

### **11.2 Obligation**

In order to obtain warranty service, the product must be delivered to and picked up from the manufacturer at the user's expense, unless specifically stated otherwise in this warranty.

### **11.3 Prolonged Storage**

If the appliance will not be used for a period of time, please empty all water/ lotion/ toners from containers and wrap the cord around the tower stand, store in a cool/dry area.

Facial Steamer 120V, 780W, 6.5000amps  
Rotating Brush 120V, 96W, 0.8000amps  
High Frequency 120V, 1.5W, 0.0125amps  
Vacuum & Spray 120V, 45W, 0.375amps  
Galvanic 120V, 7W, 0.0583amps  
Mag Lamp 120V, 48W, 0.4000amps  
Wood's Lamp 120V, 20W, 0.1667amps



**GARFIELD INTL. CO., INC.**  
15977 HERON AVE.  
LA MIRADA, CA 90638

PARAGON® is a trademark of Garfield International.



**Questions or Comments? Please call 1-888-731-6688**



**Visit us at <http://www.garfieldint.com>**

---

### ATTENTION

For your protection in the event of theft or loss of this product, please fill in the information below for you own personal records.

**Model No** \_\_\_\_\_ **Serial No.** \_\_\_\_\_  
(Located on back or bottom side of unit.)

**Date of Purchase** \_\_\_\_\_ **Purchase Price** \_\_\_\_\_

**Purchased From** \_\_\_\_\_