

comfort
Soul

INSTRUCTION MANUAL

DENALI



PRODUCT DESCRIPTION

■ STANDARD FEATURES:

- Massage Top: Single section top.
- ComfortSoul DuraSoft™ Upholstery: Luxurious, soft, durable, waterproof, and environmentally friendly surface.
- ComfortSoul UltraPlush™ Cushioning System: 4 inches of multi-layered UltraPlush™ Padding engineered at different densities to provide ultimate support and comfort.
- High Quality Solid Oak Frame with Shelf: Beautiful finish and extremely durable frame.
- ComfortSoul SmoothLock™ End Attachment Support: proprietary end attachments glide smoothly into position and are conveniently located at both ends of table.
- Manual Double Lock adjustable height (24 to 33 inches).
- Heavy Duty Solid Wood Legs: 4 inch wide solid wood legs with unmatched strength.
- 700 lbs. Maximum Weight

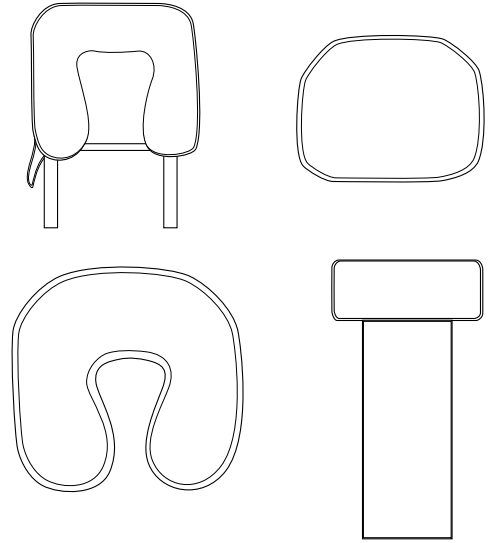
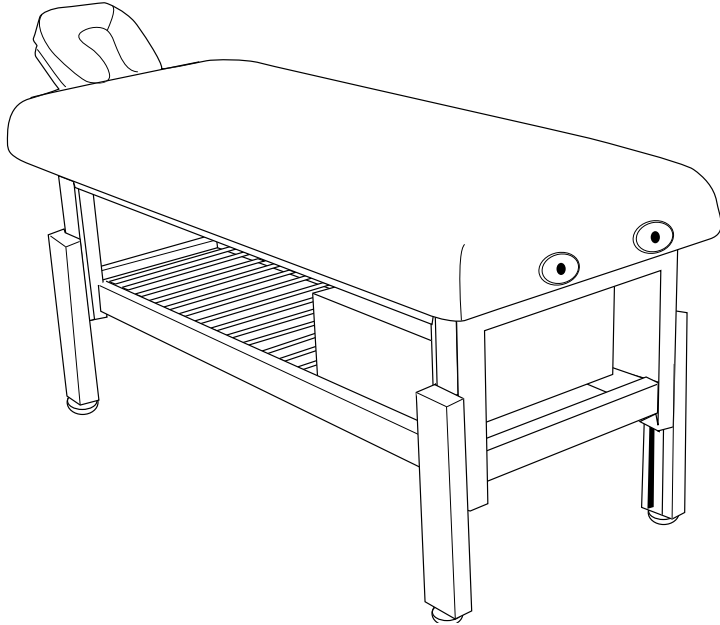
■ INCLUDED ACCESSORIES:

- Removable Oak Accessories Cabinet.
- ComfortSoul SmoothLock™ Face Cradle: provides smooth and easy adjustments for Face Cradle Pillow and Head Pillow.
- ComfortSoul MemoryFit™ Face Cradle Pillow: provides your clients with the most comfortable face-down position possible.
- ComfortSoul PlushFit™ Neck Pillow: provides extra comfort and support for the neck.
- ComfortSoul PlushFit™ Head Pillow: provides taller clients with head support even beyond the length of the bed.

■ OPTIONAL ACCESSORIES:

- Bolster Accessories
- Terry Cloth Linen Sets

PRODUCT DESCRIPTION



CHAIR SPECIFICATIONS:

1. Default Position: 73" x 30" x 24" (L x W x H)
2. Section Lengths: 1-Section Flat Top 73" long
3. Cushion Thickness: 4.5"
4. Base Dimensions: 63" x 26" (L x W)
5. Weight: 198 lbs
6. Face Cradle Pillow: 12" x 12" x 2" (L x W x Thickness)
7. Head Pillow: 16" x 12" x 2" (L x W x Thickness)
8. Neck Pillow: 14" x 10" x 2" (L x W x Thickness)

INCLUDED ACCESSORIES:

1. Removable Oak Accessories Cabinet.
2. ComfortSoul SmoothLock™ Face Cradle: provides smooth and easy adjustments for Face Cradle Pillow and Head Pillow.
3. ComfortSoul MemoryFit™ Face Cradle Pillow: provides your clients with the most comfortable face-down position possible.
4. ComfortSoul PlushFit™ Neck Pillow: provides extra comfort and support for the neck.
5. ComfortSoul PlushFit™ Head Pillow: provides taller clients with head support even beyond the length of the bed.

* Default position: Bed completely flat, Lowest height, No attachments

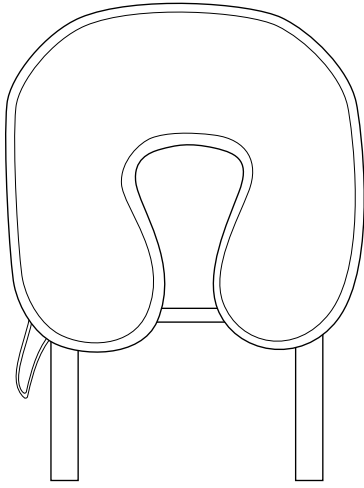
* All heights measured from ground to top

DIRECTIONS FOR ATTACHMENTS

Memory Fit Face Cradle Pillow™

The Memory-Fit Face Cradle Pillow™ takes pressure off sensitive facial areas while providing superb support. The SmoothLock™ Face Cradle can be used in both prone and uprest positioning, and can be removed completely and stored.

COMFORTSOUL SMOOTHLOCK™ FACE CRADLE: PROVIDES SMOOTH AND EASY ADJUSTMENTS FOR FACE CRADLE PILLOW AND HEAD PILLOW.



12" x 12" x 2" (L x W x Thickness)

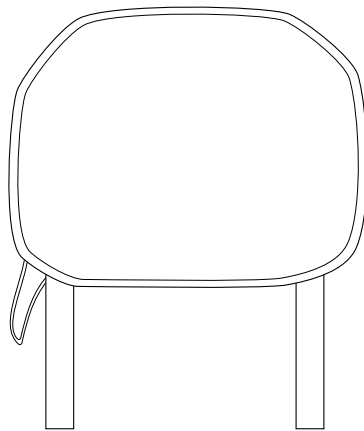
1. To use the Face Cradle, pull SmoothLock™ lever away from the Face Cradle. Slide extension poles into wooden extension holders.



2. Push Face Cradle into extension holders until the bottom of the pad is flush with the top of the chair. Twist SmoothLock™ lever clockwise until lever is hand tightened.



3. Once SmoothLock™ lever is firmly twisted, flip SmoothLock™ lever back towards Face Cradle to lock Face Cradle extensions (reverse step one).



Head Pillow: 16" x 12" x 2" (L x W x Thickness)



CARE & CLEANING

HOW TO CARE FOR YOUR UPHOLSTERY:

Upholstery

In order to maintain the quality and ensure the life of the Denali™, here are some preventative steps that can be taken to protect the upholstery on the table and accessories.

- Protect your table and accessories with sheets and fleeces. We offer both fitted sheets and thick fleeces that protect your upholstery fabric against oil stains while offering comfortable 100% cotton flannel softness to your clients. You can also preserve your face cradle and bolsters with 100% cotton flannel covers and fleeces.
- Clean your upholstered items only when needed with a mild detergent or Green Windex. A diluted 1/100 bleach solution for disinfecting can be used. Dry the table immediately after cleaning to remove excess cleaning solution. Using strong cleaners, such as alcohol, acetone, higher concentrations of bleach or other products that contain high concentrations of these substances, can shorten the life of your fabric, or discolor it. Note: Damage caused by them will not be covered under the warranty.
- Avoid extremes in heat. Very cold temperatures can make your fabric prone to cracking. Very high temperatures can cause the fabric to stretch permanently.
- Avoid exposing your products to direct sunlight for extended periods of time. This can lead to fading and cracking of the fabric.
- Use an anti-slip pad to prevent oil from reaching the upholstery and to keep your sheets from slipping.

GENERAL CARE OF EQUIPMENT COMPONENTS:

Base & Controls

- Use only a mild solution of 4:1 diluted non-alcohol cleaner such as 409®, Fantastik® or some other non-abrasive cleaner to wipe down the metal surfaces of the table. Apply with a damp (not wet) lint-free cloth. Be sure excess liquid does not drip onto, or into, any of the electrical controls or mechanisms. Be sure that the unit is unplugged before cleaning these areas. Wipe these areas carefully with a lint free cloth.

WARRANTY STATEMENT

MODEL	DENALI	
FRAME UNDERSTRUCTURE	UPHOLSTERY PADDING	SHIPPING
Limited Lifetime Warranty — Original owner; up to 5 years after model is discontinued	2 YEARS	YES

All warranties are limited to factory-provided replacement parts, factory repair or replacement, at the discretion of COMFORTSOUL®. COMFORTSOUL® only covers parts and labor on field repair of stationary products.

All warranties exclude damage caused by improper set-up, accident, abuse, misuse, neglect, use for other than intended purpose or reasonable wear such as tears in the upholstery.

All warranties are invalidated by non-factory modifications and unauthorized repairs, which will immediately terminate all liability by COMFORTSOUL® for the product or damages caused by its use.

The buyer and its customers shall be responsible for proper set-up and use of the products as well as any supervision required for safety. In no event shall COMFORTSOUL® be liable for any special, indirect, consequential, incidental, exemplary or punitive damages or costs. Use of non-approved cleaning solutions voids the guarantee on all fabrics.

The warranties set forth herein are the sole and exclusive warranties provided by COMFORTSOUL®. There are no other warranties, representations or guarantees provided by COMFORTSOUL® either expressed or implied, including warranties of merchantability and fitness for a particular purpose. Warranty valid with proof of purchase.

CONTACT INFORMATION:

.....

If you have any questions about our products, feel free to contact us via email or by phone. We are available via telephone during PST business hours. We try to respond to emails within a few hours of their receipt, even during evenings and weekends.

.....

General Information:

.....

Email: sales@comfortsoul.com
Fax: 1-800-768-5643

Sales:

.....

Email: sales@comfortsoul.com
Telephone: 1-877-COM-SOUL
(1-877-266-7685) Option 1

Technical Support:

.....

Email: support@comfortsoul.com
Telephone: 1-877-COM-SOUL
(1-877-266-7685) Option 2

Mailing Address:

.....

3350 Wilshire Blvd.
Suite 1210
Los Angeles, CA 90010
USA