


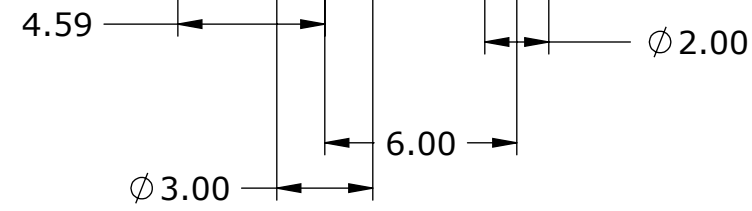
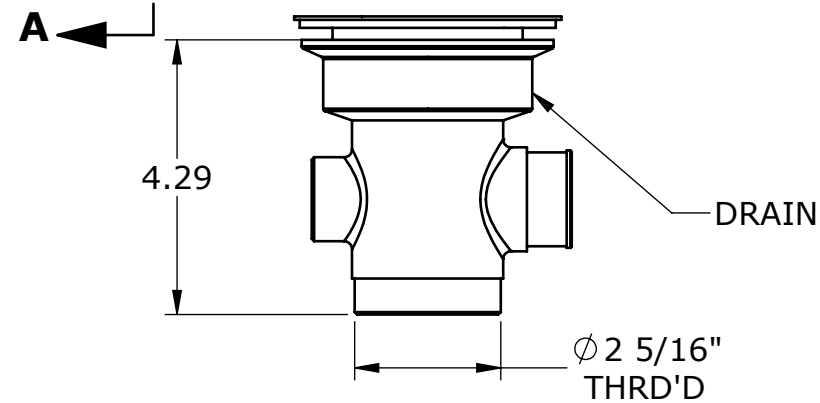
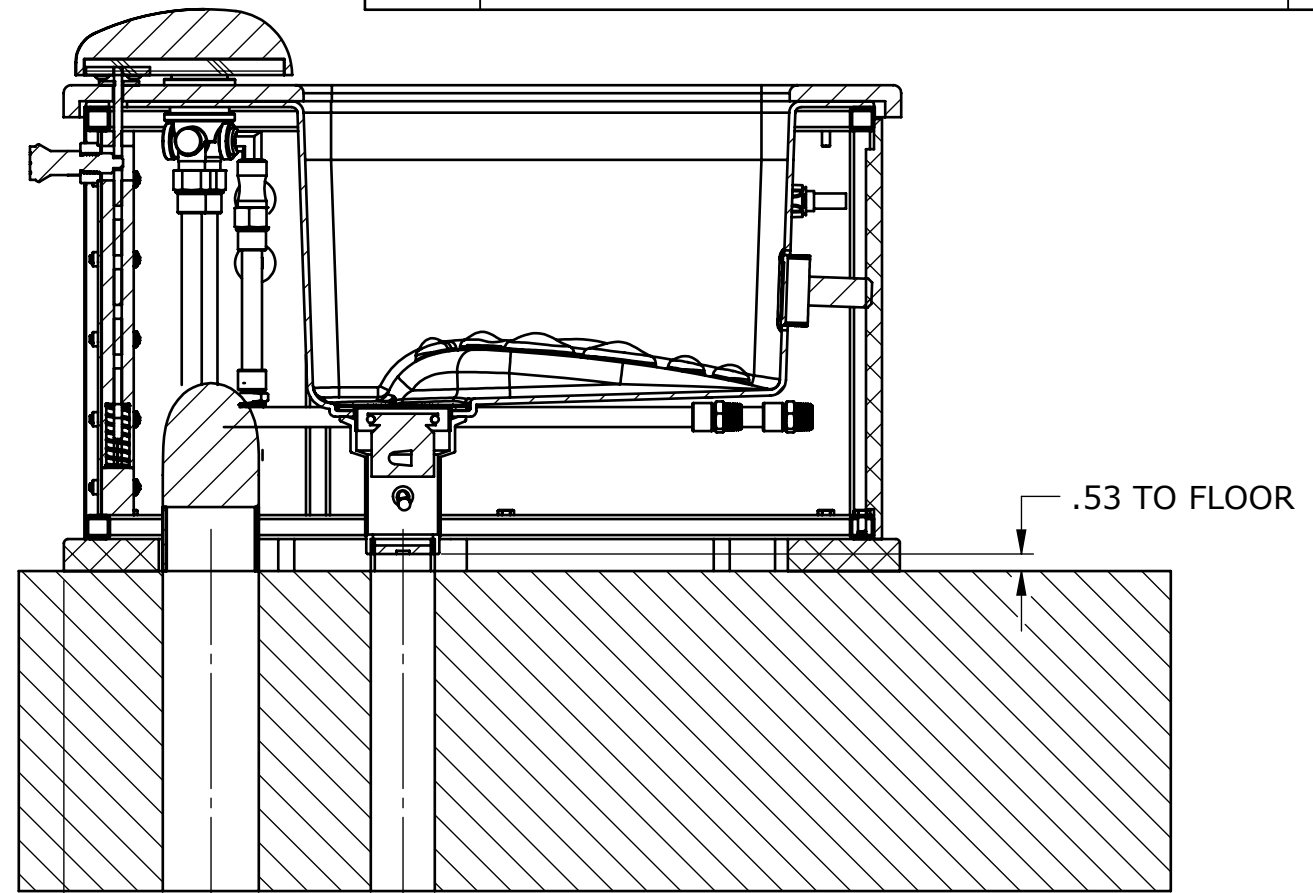
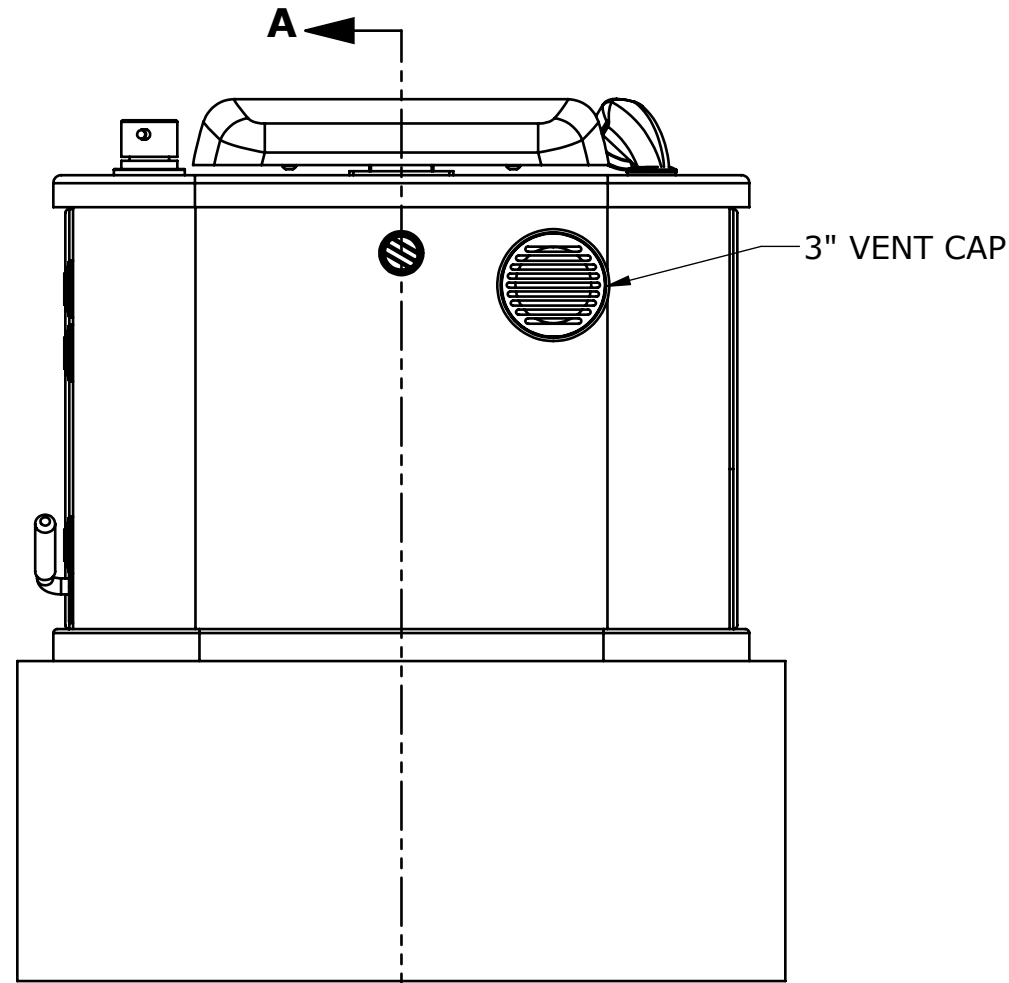
Project:

<p>Item # LEC618</p>	<p>Description Living Earth Crafts 5.0 Freestanding Sanijet Pedicure Tub</p>
<div style="display: flex; justify-content: space-between;"> <div data-bbox="228 268 857 898" style="width: 45%; text-align: center;">  </div> <div data-bbox="935 268 1562 898" style="width: 50%;"> <p>Brand Earthlite</p> <hr/> <p>For More Information or Purchase Contact:</p> <p>Universal Companies, Inc. SpaDev@UniversalCompanies.com US Toll Free: 800-558-5571, Int'l: 276-466-9110</p> <hr/> <p>List Price</p> <p>Pedicure Tub with integrated vent: \$4,250.00</p> </div> </div>	
<p>Features for Item #</p> <p>This freestanding pedicure tub combines a rich laminate surrounded bottom and an Avonite™ top to create a beautiful footbath with the leading industry Sanijet jet system & gravity drain. Features:</p> <ul style="list-style-type: none"> • Footrest with Strata™ memory foam cushioning wrapped in silky upholstery. Footrest is adjustable with pull knob for quick, smooth adjustments. • Hydrostatic mixer, remote drain, & overflow. • Chromatherapy light cycles through entire color spectrum. Upgrades available include Ventilation Integration (LEC619) and Discharge Pump Integration (LEC489). 	
<p>Overview of Specifications for item #</p> <ul style="list-style-type: none"> •Dimensions: Exterior: 22" W (56cm) x 26.5" D (67cm) x 15.5" H (39cm) •Shipping Weight: 120.00 lb •Electrical: 110V AC, 60 Hz, •Suggested Outlet: GFCI Adjacent to Unit •Plumbing: 1" Hot & Cold Inlet, 2" Gravity Drain. P-Trap not included, by others •Warranty: 1 Year Limited •Certifications: Pending •Country of Origin: United States <p>•Installed By: Client's Contractor</p>	

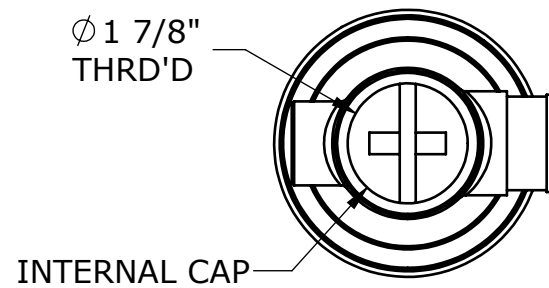
Note: Manufacturer's change item specifications and prices over time, contact SpaEquip for updated informatio

NOTES: UNLESS OTHERWISE SPECIFIED

REVISIONS			
REV.	DESCRIPTION	DATE	APP
A	INITIAL RELEASE PER ECO #XXXX	XX/XX/XX	RVE



SECTION A-A



ALTERNATE DIMENSIONS
UNITS ARE IN MILLIMETERS

TOLERANCES ARE:
ANGULAR: ± .5°
X = ± 1mm .X = ± .5mm
.XX = ± .25mm .XXX = ± .100mm

PROPRIETARY AND CONFIDENTIAL
THE INFORMATION CONTAINED IN THIS
DRAWING IS THE SOLE PROPERTY OF
EarthLite . ANY REPRODUCTION
IN PART OR AS A WHOLE WITHOUT
THE WRITTEN PERMISSION OF
EarthLite IS PROHIBITED.

UNLESS OTHERWISE SPECIFIED:

UNITS ARE IN INCHES:

TOLERANCES ARE:
ANGULAR: ± .5° BEND: ± .5°
FRACTIONAL: ± 1/32
DECIMALS: .X = ± .03 .XX = ± .01
.XXX = ± .005

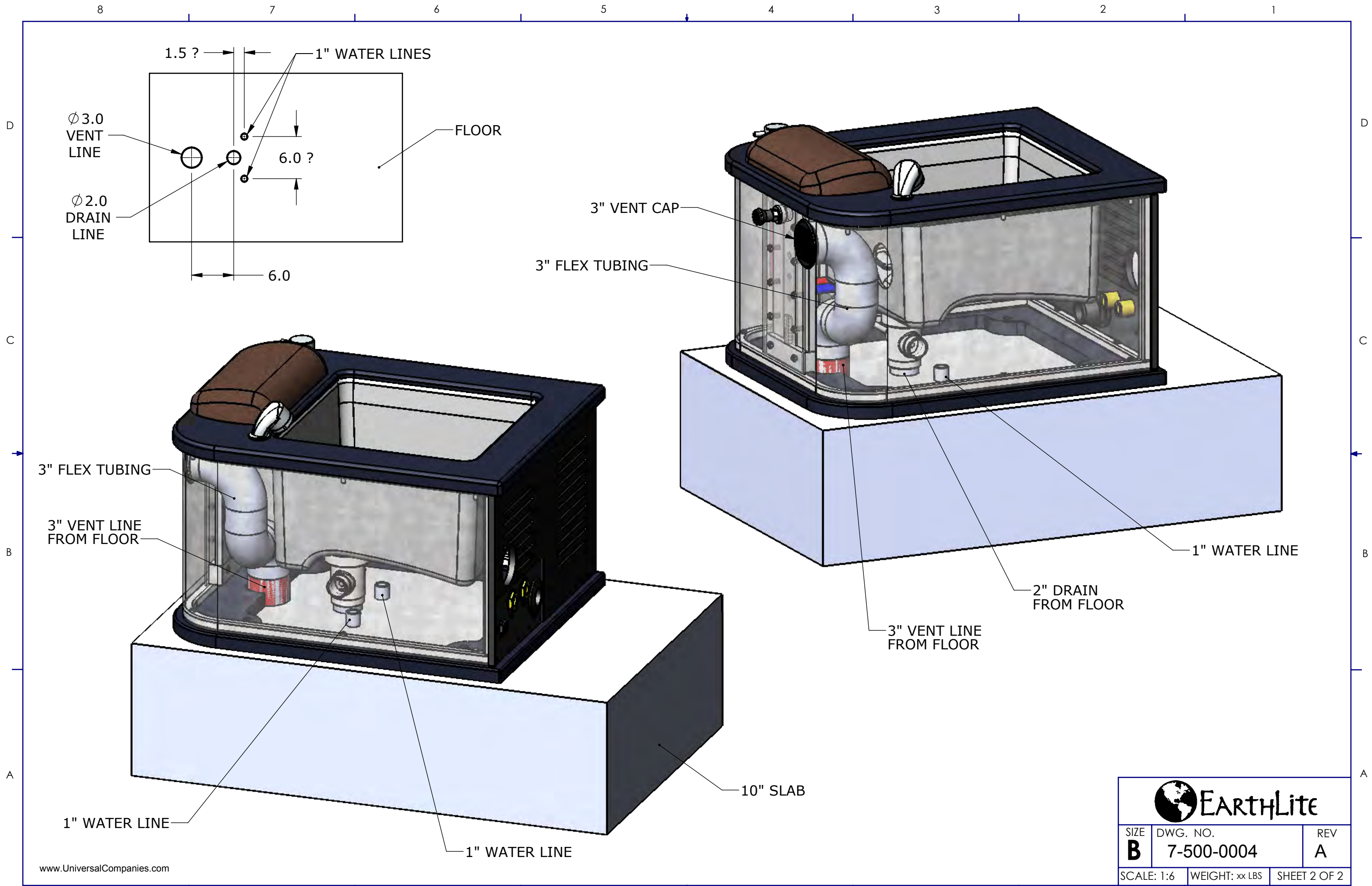
MATERIAL



FINISH



		DATE	NAME		
		DRAWN	3/4/15		R. ESTRADA
		CHECKED			
		ENG APPR.	3/4/15		R. ESTRADA
		MFG APPR.			
		Q.A.			
		COMMENTS:			
		TITLE:		RED DOOR SPA LAYOUT	
		SIZE	DWG. NO.	REV	
		B	7-500-0004	A	
		SCALE: 1:6	WEIGHT: xx LBS	SHEET 1 OF 2	



		
SIZE B	DWG. NO. 7-500-0004	REV A
SCALE: 1:6	WEIGHT: xx LBS	SHEET 2 OF 2