

2/14-

		model	arm-bath		foot-bath		hip bath		4-cell-bath		shower installation							
			Kneipp	Haufl	Kneipp	Haufl	Standard	Nürnberg II	Wörishofen	Wörishofen	Standard	Kneipp	Standard	Kneipp	Standard	Kneipp	Jacket shower	
		type	WA-WA-K	HA-WA-K	WF-WA-K	HF-WA-K	S-WA-AC	S-HS-AC	GI-VZ	WBS-automatic	KD-WA-3	KD-WA-WD	KD-AP-3	KD-AP-WD	DSK-3	DSK-WD		
		sheet no. 14.	03.06		03.07		03.08	03.09	03.10	03.11	03.03	03.03	03.04	03.04	03.05	03.05	03.12	
		part no.	AT3020	AT3030	AT3044	AT3050	AT3060	AT3115	AT3081	AT3090	AT3010	AT3015	AT3018	AT3019	AT3275	AT3280	AT3005	
fittings	No.	special fittings and accessories																
	1																	
	2																	
	3																	
	4																	
	5	filler fitting type B under plaster thermostat with 2 valves ½" in handrail	ZT3006			+												
	6																	
	7	stool with lower shower	ZT3007					+	+									
8	hand shower for tub cleaning	ZT3205							X	X								
accessories	10	swivel chair, adjustable in height refer sheet 14.03.10	ZT3009						+	+								
	11	swivel chair colour lightgrey	ZT3060	X	X	X	X		X	X								
	12																	
	13	body electrode	ZT3026						X									
	14																	
	15	contrast bath control for 4-cell bath	ZT3011						X	O								
	16	contrast bath control for foot bath *	ZT3019			X												
	18	remote shower installation	ZT3013									X	X	X	X	X	X	
	19	protection screen	ZT3015									+	+	+	+	+	+	
	20	pouring rack	ZT3016									+	+	+	+	+	+	
	21	plastic grid cantilevered, 1000 x 500 mm	ZT3020									X	X	X	X	X	X	
22	angular frame for plastic grid (running m)	ZT3021									X	X	X	X	X	X		
23	Plastic mat 1000x500 mm	ZU1033									X	X	X	X	X	X		

* only with no 5 available

technical details subject to change

Trautwein GmbH, 79312 Emmendingen

Phone: ++49-7641/4677-0 Fax.: ++49-7641/4677-70

Internet: <http://www.trautwein-gmbh.com>

14.03.01

Special fittings and accessories for partial bath

+ = especially recommendable

Fittings

- 1 **Filler with mixer tap UP part-no. ZT3001**
2 chromium plated UP-valves 1/2"
- 2 **Filler with mixer tap UP part-no. ZT3002**
4 chromium plated UP-valves 1/2"
- 3 **Filler with thermostatic mixer UP part-no. ZT3003**
1 chromium plated UP-valves 1/2"
1 thermostatic mixer UP 1/2"
- 4 **Filler with thermostatic mixer UP part-no. ZT3004**
2 chromium plated UP-valves 1/2"
1 thermostatic mixer UP 1/2"
- 5 **Filler with thermostatic mixer UP part-no. ZT3006**
2 chromium plated UP-valves 1/2"
1 thermostatic mixer UP 1/2" mounted in the tub rim
- 6 **Filler for lower shower part-no. ZT3025**
1 chromium plated UP-valves 1/2"
- 7 **Stool with lower shower part-no. ZT3007**
+ only for use with thermostatic mixer, in front open plastic seat ring and adjustable showerhead (fan-like, massage) for jet- and showermassage incl. hose and chromium plated angle fitting 1/2" with thermometer.
- 8 **Cleaning hand shower part-no. ZT3205**
according to DVGW regulations with thermostatic mixer and 1/2" pipe separator system and holder.



Attachments

- 10 **Stationary, height adjustable swivel chair part-no. ZT3009**
+ for easy treatment in the four cell bath or foot bath. Pleasant raise and lowering through electrical drive system.
Consisting of:
 - 1 electromechanical heightadjustment, 500 mm lift with electronic cut off limiter, 150 kg loadable, 360° slewing with lock, capacity of the batteries 6 Ah – maintenance free.
 - 4 anchors UKA 3 for floor mounting in concrete with drilling stencil.
 - 1 plastic-seat
 - 1 safety belt for the patient
 - 1 moveable air control with magnetic holder.
 All metal parts are plastic coated in light grey and cover for motor made of polystyrene, white
1 charging unit 230/24 V with operation-LED, incl. power- and chargecable



- 11 **Swivel chair, height adjustable part-no. ZT3060**
with gassuspension, plastic frame with casters. Backpart is height- and distance adjustable. Cover made of imitation leather. Color: lightgrey

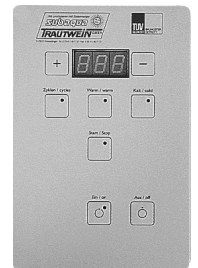


- 13 **body electrode with sponge pocket part-no. ZT3026**
Size 250 x 150 mm incl. straps and 2m cabel with connector.



3

- 14 **lifting device for hip bath part-no. ZT3300**
refer sheet-no. 14.03.08
- 15 **Contrast bath control Type WBS part-no. ZT3011**
for the four chamber bath, TÜV-GS safety tested, built-in, with automatic control for contrast bath treatment. Built-in as serviceable part for easy exchange.
 - digital display for warm and cold treatment time
 - digital display for the number of contrast bath turns
 - button for warm and cold treatment time
 - button for number of contrast bath turns
 - button on/off with LED
 - button start/stop with LED
 2 chromium plated UP valves 1/2" for treatment of arms, legs and foot sole
2 plastic cone-form spray-showers for treatment of the arms with hoses
6 plastic cone-form spray-showers for treatment of the legs and foot soles with hoses
4 plastic covers as spray protection for tubs.
2 magnetic valves 1/2", 24 V, for cold- and warm-treatments;
1 control, 24 V, in Iso-casing with separated protection transformer 230/24 V 100 VA.
- 16 **Contrast bath control Type WBS part-no. ZT3019**
for the four chamber bath, TÜV-GS safety tested, built-in, with automatic control for contrast bath treatment. Built-in as serviceable part for easy exchange.
 - digital display for warm and cold treatment time
 - digital display for the number of contrast bath turns
 - button for warm and cold treatment time
 - button for number of contrast bath turns
 - button on/off with LED
 - button start/stop with LED
 2 chromium plated UP valves 1/2" for treatment of legs and foot sole
6 plastic cone-form spray-showers for treatment of the legs and foot soles with hoses
2 plastic covers as spray protection for tubs.
2 magnetic valves 1/2", 24 V, for cold- and warm-treatments;
1 control, 24 V, in Iso-casing with separated protection transformer 230/24 V 100 VA.



Technical details subject to change

18 Distance - Shower part-no. ZT 3013

- consisting of:
 1 chromium plated UP ¾"
 1 chromium plated shower branch ¾"
 1 special shower head made of white plastic with special cleaning system.

19 protectice screen part-no. ZT3015

- + consisting of:
 stainless steel pipe frame rack, polished, with 5 mm plastic plate, color: lightgrey. Width 600 mm, height 800 mm, depth 500 mm.



20 Pouring rack part-no. ZT3016

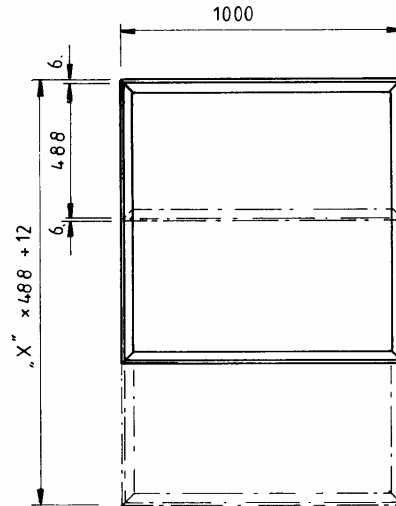
- + consisting of:
 made of plastic, design by ST. Color: White Width 700 mm, height 800 mm, depth 650 mm.



- 21 Plastic grating, cantilevered part-no. ZT3020 self supporting as raster unit, nominal measure 1000 x 500 mm, profile sticks as cross connector, hygienic construction, color: grey RAL 7035.

22 Frame for plastic grading part-no. ZT3021

- made of L-shaped plastic 30 x 4 mm with strap for on-site concrete. dimensiones L.... x B 1000 mm. price per meter.



23 Plastic mat, part-no. ZU1033

- upper part made of plastic, double grooved, rounded edges, lower part high elastically, homogeneous dark grey, upper strip light grey, 1000 x 500 mm.



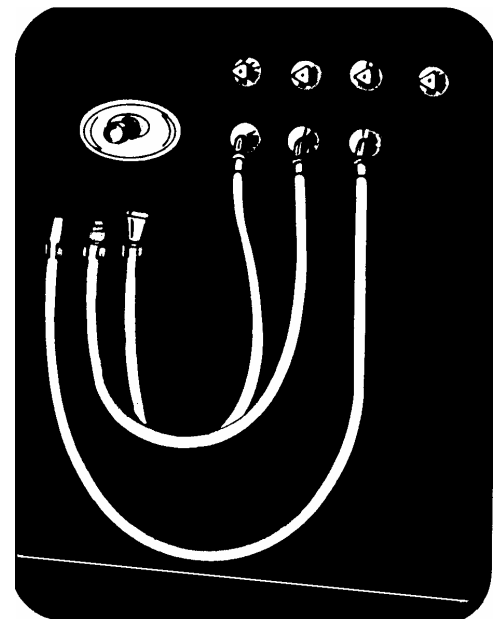
Technical details subject to change

Wall-mounted shower unit
model Standard,
type KD-WA-3
part-no. AT3010

consisting of:

- 1 chromium plated thermo-mixer security-tap, nominal output 48l/min. for concealed installation with pre-control
- 3 chromium plated valves $\frac{3}{4}$ ", for concealed installation with metal grip WARM;
- 1 chromium plated connector angle piece $\frac{3}{4}$ " with high-pressure rubber hose pipe and jet nozzle.
- 1 chromium plated connector angle piece $\frac{3}{4}$ " with high-pressure rubber hose pipe and shower attachment
- 1 chromium plated connector angle piece $\frac{3}{4}$ " with high-pressure rubber hose pipe for water therapy.
- 3 swivel suspension hooks.

Accessories: see overview sheet 14.03.01 and 14.03.02 special fittings and accessories



Wall-mounted shower unit
model Kneipp,
type KD-WA-WD
part-no. AT3015

consisting of:

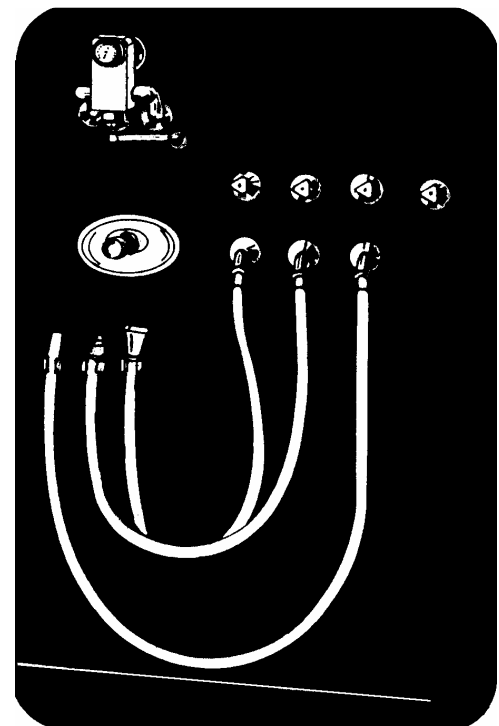
- 1 chromium plated thermo-mixer security-tap, nominal output 48l/min. for concealed installation with pre-control
- 3 chromium plated valves $\frac{3}{4}$ ", for concealed installation with metal grip WARM;
- 1 chromium plated connector angle piece $\frac{3}{4}$ " with high-pressure rubber hose pipe and jet nozzle.
- 1 chromium plated connector angle piece $\frac{3}{4}$ " with high-pressure rubber hose pipe and shower attachment
- 1 chromium plated connector angle piece $\frac{3}{4}$ " with high-pressure rubber hose pipe for water therapy.
- 3 swivel suspension hooks.

Contrast shower fitting,

consisting of:

- 1 chromium plated single lever mixer tap 1", complete with connector angle piece, with clock thermometer as well as grip with adjustable stop at the cold side.
- 2 chromium plated valves 1" for concealed installation for stop cock cold and warm water (on-site)

Accessories: see overview sheet 14.03.01 and 14.03.02 special fittings and accessories



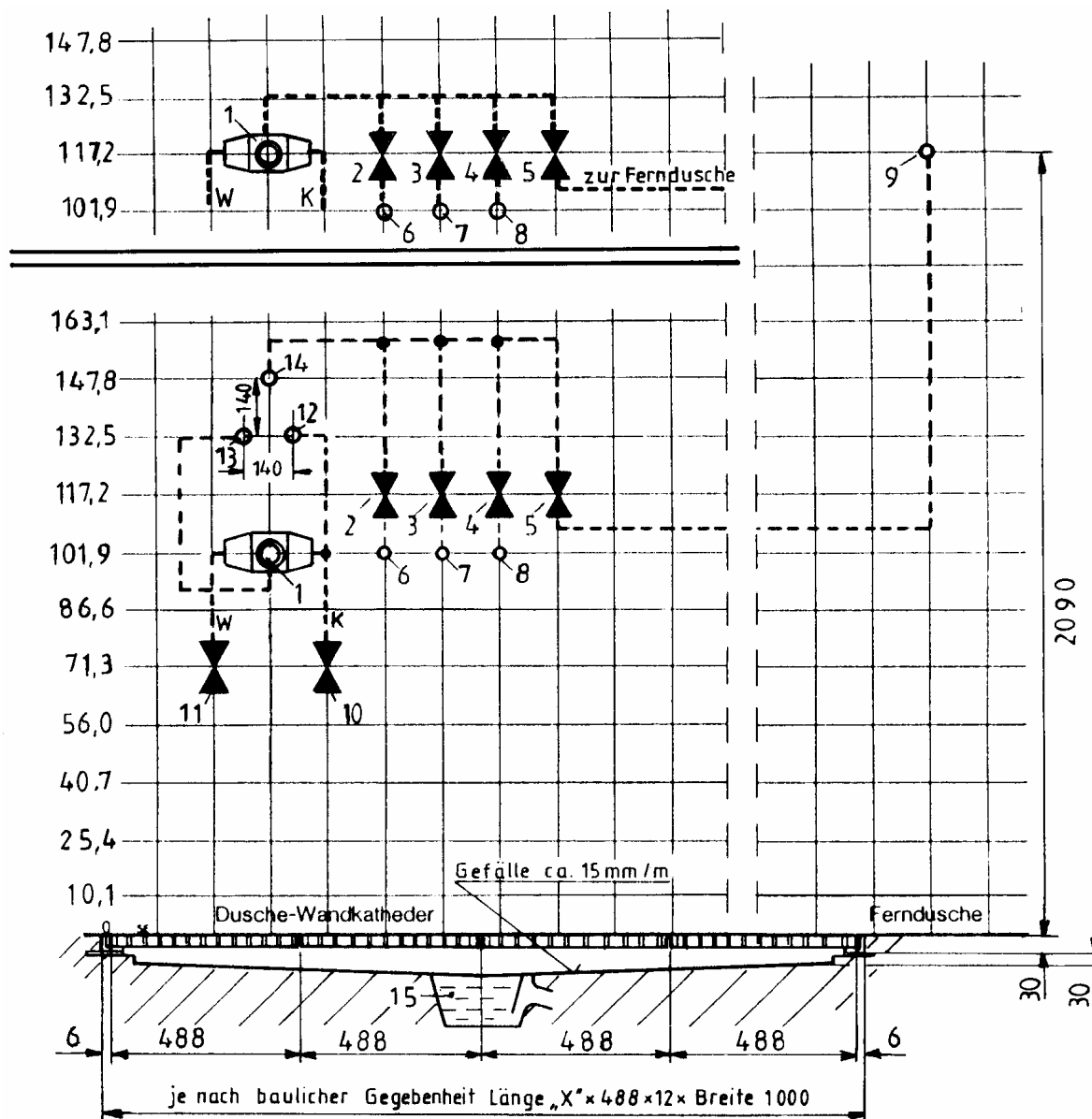
Technical details subject to change

Trautwein GmbH, 79312 Emmendingen

Tel.: 07641/4677-30 Fax: 07641/4677-70

Internet: <http://www.trautwein-gmbh.com>

14.03.03



Wall-mounted shower unit
model Standard,
type KD-WA-3
part-no. AT3010

Wall-mounted shower unit
model Kneipp,
type KD-WA-WD
part-no. AT3015

On-site connections

1. UP Thermostat 3/4"
2. UP valve 3/4" warm
3. UP valve 3/4" warm
4. UP valve 3/4" warm
5. UP valve 3/4" warm (long-distance shower)
6. sleeve 3/4" flush with tiles
7. sleeve 3/4" flush with tiles
8. sleeve 3/4" flush with tiles
9. sleeve 3/4" flush with tiles (long-distance shower)
10. UP valve 1" cold (onsite stop-cock)
11. UP valve 1" warm (onsite stop-cock)
12. sleeve 1" flush with tiles
13. sleeve 1" flush with tiles
14. sleeve 1" flush with tiles
15. drainage Ø 100

On-site safety measures

electric installation according DIN IEC/VDE

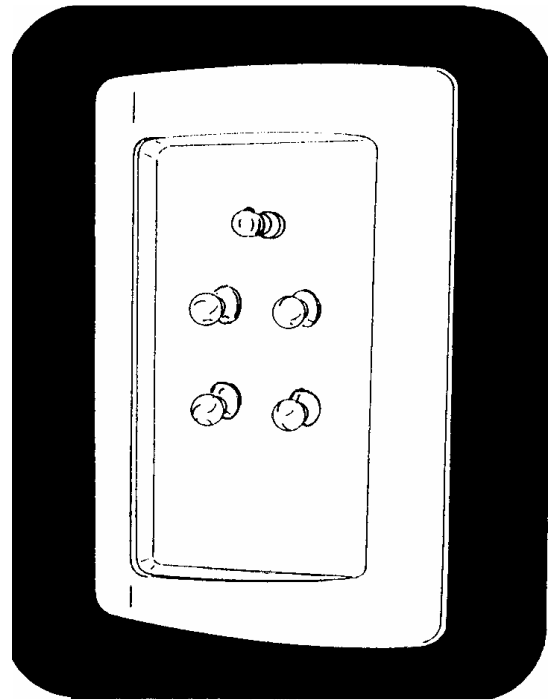
Technical details subject to change

Shower-wall-desk
as over plaster wall-element
model Standard,
type KD-AP-3
part-no. AT3018

compact plastic case - design by ST - for the inclusion of the complete installation, for connection with cold water and warm water piping (on-site)

consisting of:

- 1 two-part plastic case LxWxD 1035x660x246 mm including fixing material, cover made of acrylic material, colour white
- 1 thermo-mixing valve, nominal output 48l/min. with scald protection, dirt-collection-sieve and stop cock.
- 3 under plaster valves $\frac{3}{4}$ ".
- 1 set connection hoses including wall-connection-angle.
- 1 therapy hose, colour white, with jet-nozzle.
- 1 therapy hose, colour white, with rain-shower.
- 1 therapy hose, colour white, open for Kneipp-gushes.
- 3 covered acrylic hooks for taking up the ends of the hoses.

**3**

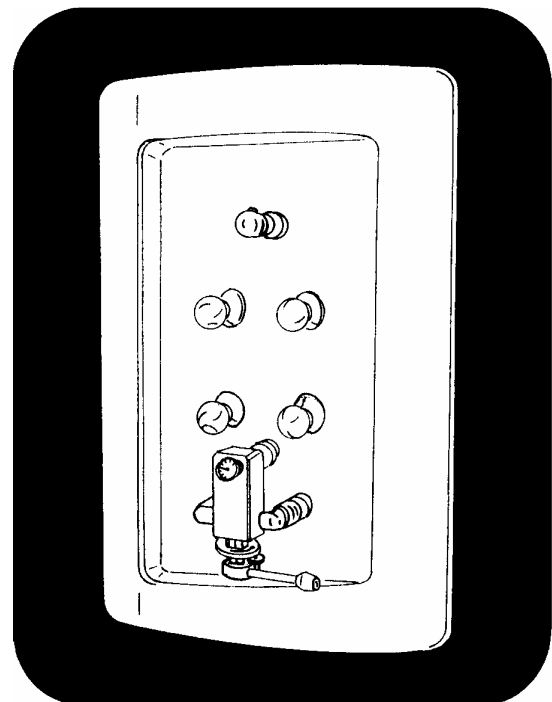
Shower-wall-desk
as over plaster wall-element
model Kneipp,
type KD-AP-WD
part-no. AT3019

compact plastic case - design by ST - for the inclusion of the complete installation, for connection with cold water and warm water piping (on-site)

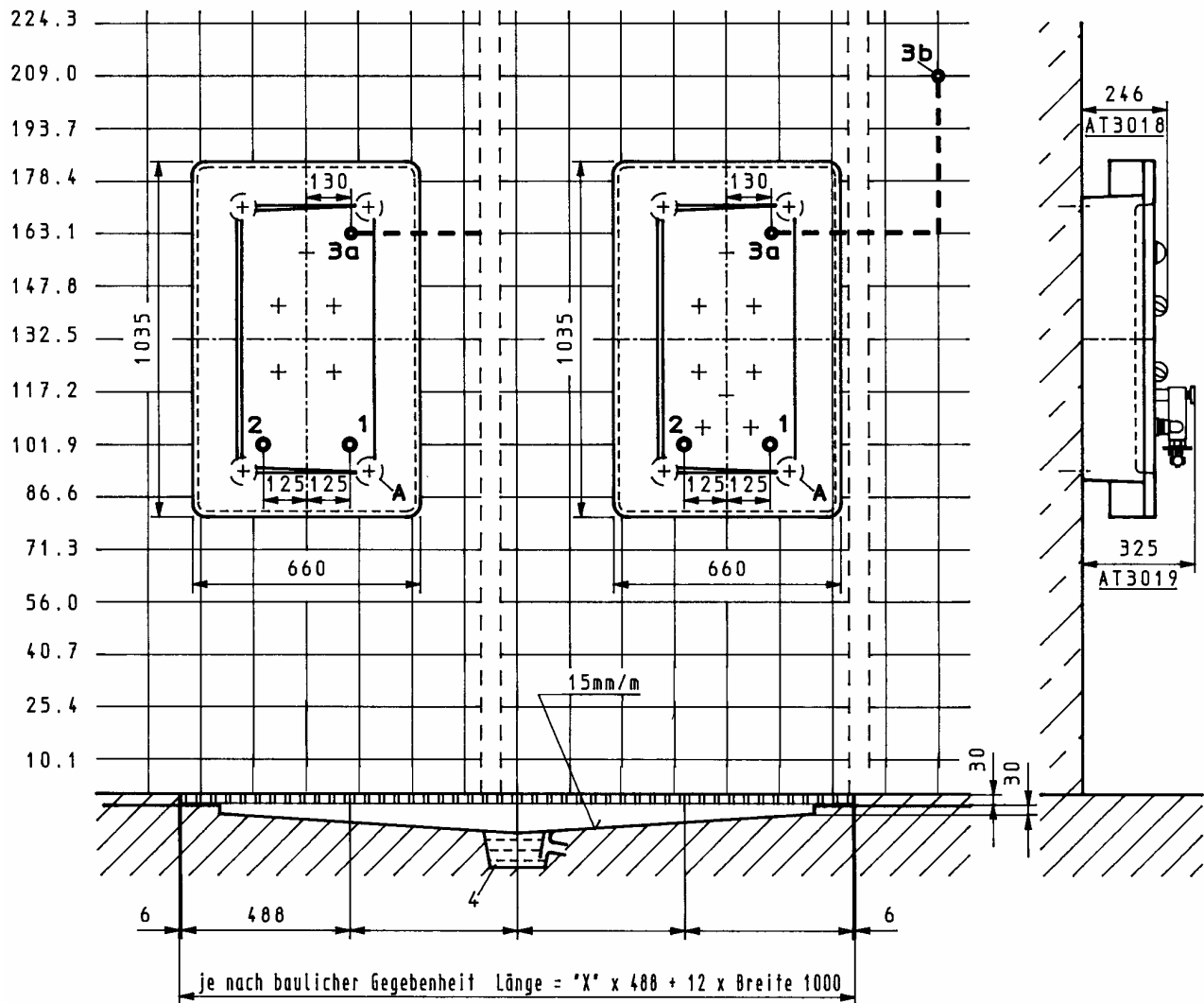
consisting of:

- 1 two-part plastic case LxWxD 1035x660x246 mm including fixing material, cover made of acrylic material, colour white
- 1 contrast-shower 1" with chromiumplated fitting-block including clock thermometer and changing lever with adjustable stop at the cold water side.
- 1 thermo-mixing valve, nominal output 48l/min. with scald protection, dirt-collection-sieve and stop cock.
- 3 under plaster valves $\frac{3}{4}$ ".
- 1 set connection hoses including wall-connection-angle.
- 1 therapy hose, colour white, with jet-nozzle.
- 1 therapy hose, colour white, with rain-shower.
- 1 therapy hose, colour white, open for Kneipp-gushes.
- 3 covered acrylic hooks for taking up the ends of the hoses.

Accessories: see overview sheet 14.03.01 and 14.03.02
special fittings and accessories



Technical details subject to change



Shower-wall-desk
as over plaster wall-element
model standard,
type KD-AP-3
part-no. AT3018

On-site connections

1. cold water sleeve 1" flush with tiles
2. warm water sleeve 1" flush with tiles
3. sleeve 3/4" flush with tiles
(only by special model „distance shower“)
4. drainage \varnothing 100 mm

A. Fixing points - don't lay any pipes in this area

Shower-wall-desk
as over plaster wall-element
model Kneipp,
type KD-AP-WD
part-no. AT3019

On-site safety measures

stop cock cold and warm water
electric installation according DIN IEC/VDE

Technical details subject to change

**Showerdesk
model Standard,
type DSK-3
part-no. AT3275**

compact plastic case - design by ST - for the inclusion of the complete installation, for connection with cold water and warm water piping (on-site)

consisting of:

- 1 two-part plastic case laminated base, L x W x D: 1035 x 660 x 900 mm, cover made of acrylic material, colour white
- 1 thermo-mixing valve, nominal output 48l/min. with scald protection, dirt-collection-sieve and stop cock.
- 3 under plaster valves 3/4".
- 1 set connection hoses with wrap nuts.
- 1 therapy hose, colour white, with jet-nozzle.
- 1 therapy hose, colour white, with rain-shower.
- 1 therapy hose, colour white, open for Kneipp-gushes.
- 3 covered acrylic hooks for taking up the ends of the hoses.
- 4 floor anchors M10 and glue cartridges. Drilling template.

**3**

**Showerdesk
model Kneipp,
type DSK-WD
part-no. AT3280**

compact plastic case - design by ST - for the inclusion of the complete installation, for connection with cold water and warm water piping (on-site)

consisting of:

- 1 two-part plastic case laminated base, L x W x D: 1035 x 660 x 900 mm, cover made of acrylic material, colour white.
- 1 contrast-shower 1" with chromiumplated fitting-block including clock thermometer and changing lever with adjustable stop at the cold water side.
- 1 thermo-mixing valve, nominal output 48l/min. with scald protection, dirt-collection-sieve and stop cock.
- 3 under plaster valves 3/4".
- 1 set connection hoses with wrap nuts.
- 1 therapy hose, colour white, with jet-nozzle.
- 1 therapy hose, colour white, with rain-shower.
- 1 therapy hose, colour white, open for Kneipp-gushes.
- 3 covered acrylic hooks for taking up the ends of the hoses.
- 4 floor anchors M10 and glue cartridges. Drilling template.

Accessories: see overview sheet 14.03.01 and 14.03.02
special fittings and accessories



Technical details subject to change

Trautwein GmbH, 79312 Emmendingen

Tel.: 07641/4677-30 Fax: 07641/4677-70
Internet: <http://www.trautwein-gmbh.com>

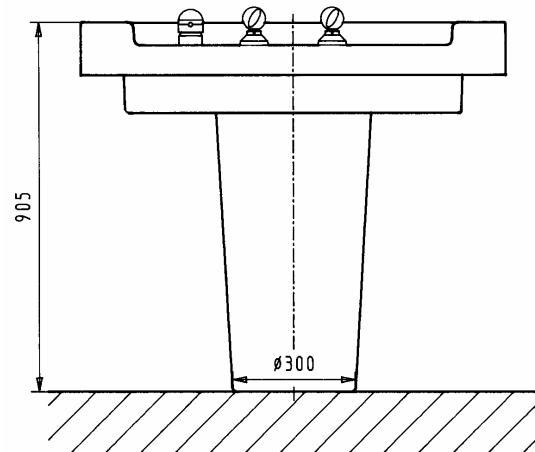
14.03.05

Showerdesk
model Standard,
type DSK-3
part-no. AT3275

On-site connections

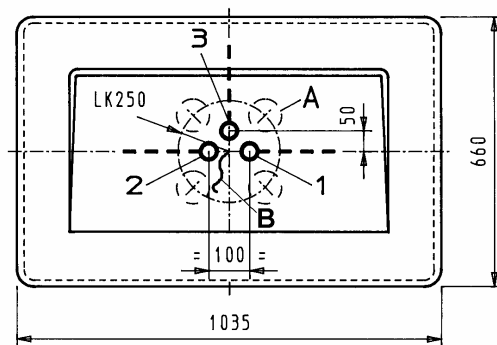
1. cold water sleeve 1" flush with tiles
2. warm water sleeve 1" flush with tiles
3. sleeve 3/4" flush with tiles
(only by special model „distance shower“)

A = Fixing points - don't lay any pipes in this area
B = Potentialcompensation, cable 1,5m long.



On-site safety measures

stop cock cold and warm water
electric installation according DIN IEC/VDE

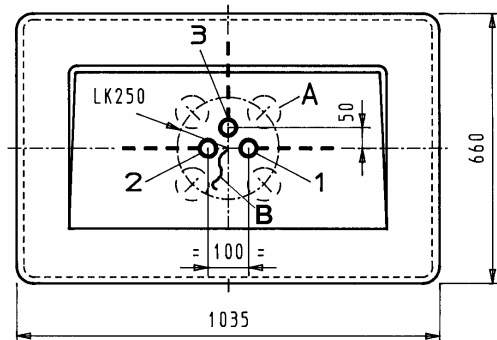
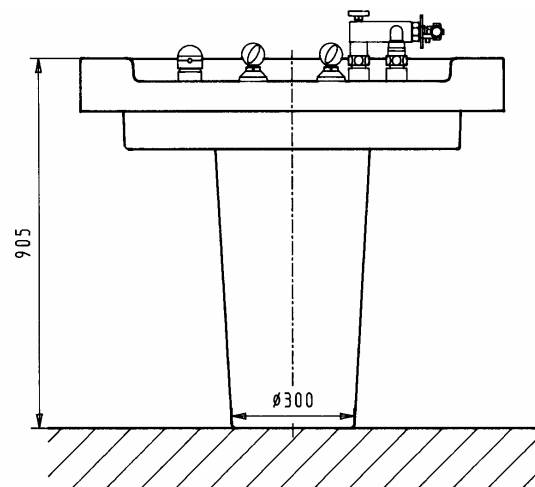


Showerdesk
model Kneipp,
type DSK-WD
part-no. AT3280

On-site connections

1. cold water sleeve 1" flush with tiles
2. warm water sleeve 1" flush with tiles
3. sleeve 3/4" flush with tiles
(only by special model „distance shower“)

A = Fixing points - don't lay any pipes in this area
B = Potentialcompensation, cable 1,5m long.



Technical details subject to change

Contrast arm bath
model Kneipp
type WA-WA-K
part-no. AT3020

consisting of:

2 plastic arm tubs, glass-fibre reinforced, with cladding.
Choice of colour according to colour chart.

Dimensions:

Length approx. 720 mm, width approx. 255 mm, depth approx. 215 mm.

Fittings:

2 swivelling special consoles, brass-chromium plated, with connector flanges, screws and dowels,
2 standing pipe drainage and overflow batteries 1 ¼";
2 suspension hooks;
2 bottle odour traps 1 ¼".
2 wall drainage U-pipes ½" chromium plated with clock thermometer and filling hoses.

Accessories: see overview sheet 14.03.01 and 14.03.02
special fittings and accessories

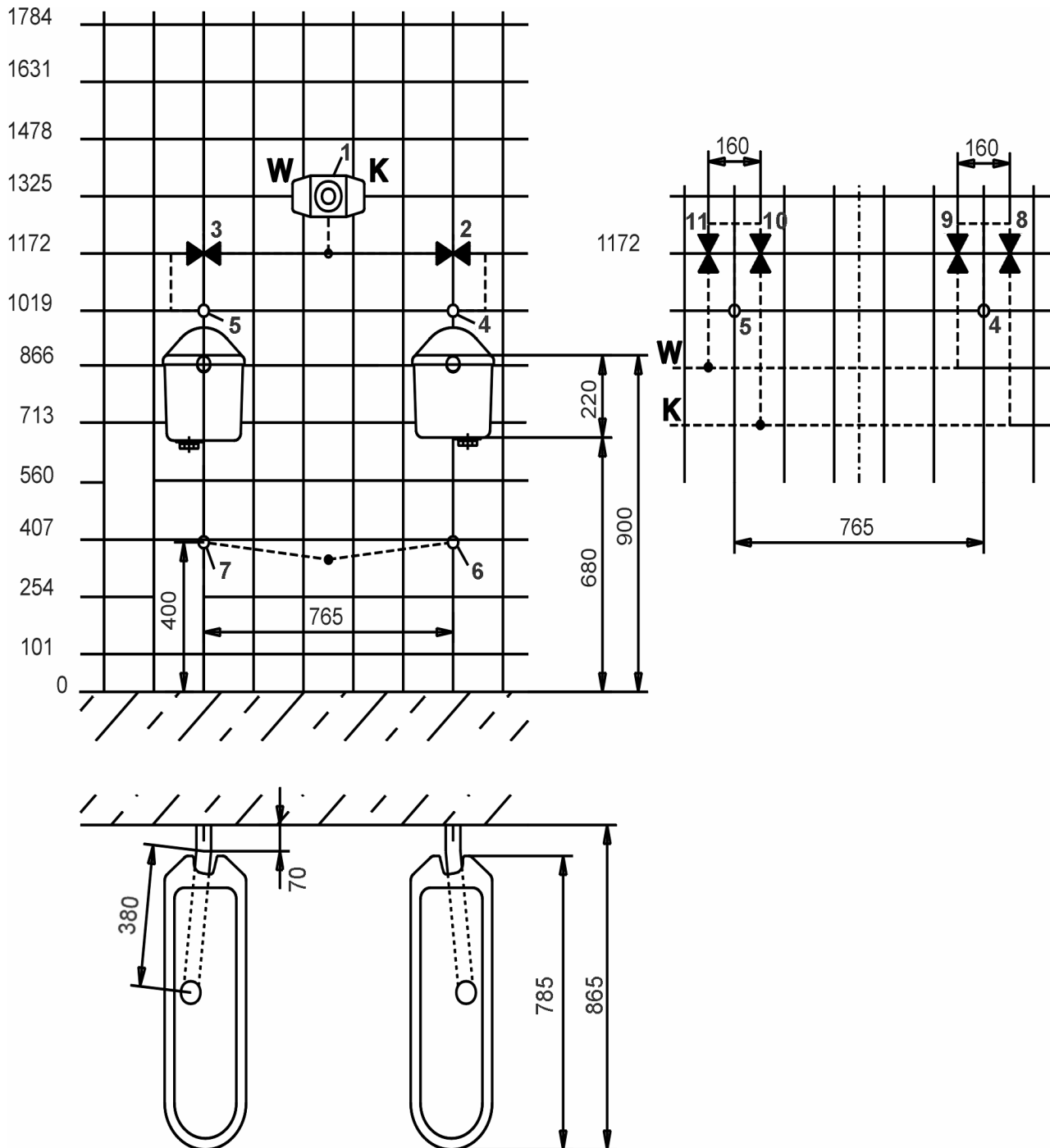
**3**

Technical details subject to change

Trautwein GmbH, 79312 Emmendingen

Tel.: 07641/4677-30 Fax: 07641/4677-70
Internet: <http://www.trautwein-gmbh.com>

14.03.06



Contrast arm bath
model Kneipp,
type WA-WA-K
part-no. AT3020

On-site connections

1. UP Thermostat 1/2"
2. UP valve 1/2" warm
3. UP valve 1/2" warm
4. sleeve 1/2" flush with tiles
5. sleeve 1/2" flush with tiles
- 6.-7. sleeves Ø 40 flush with tiles

version mixer

8.-11. UP-valves 1/2"

On-site safety measures

stop-cocks warm and cold
electric installation according DIN IEC/VDE

Technical details subject to change

Contrast foot bath
model Kneipp
type WF-WA-K
part-no. AT3044

consisting of:

double plastic foot tub, on 4 feet, glass-fibre reinforced, with cladding. Choice of colour according to colour chart.

Dimensions:

Width 880 mm, depth 700 mm, height 500/670 mm.

Fittings:

2 standing pipe drainage and overflow batteries 1 ¼";
2 chromium plated suspension hooks with dowels,
2 ½" warm and cold filling hoses.
2 filling shell with clock thermometer.

Accessories: see overview sheet 14.03.01 and 14.03.02
special fittings and accessories



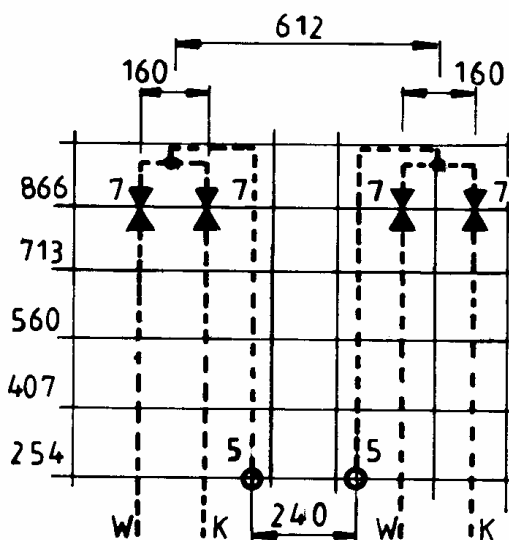
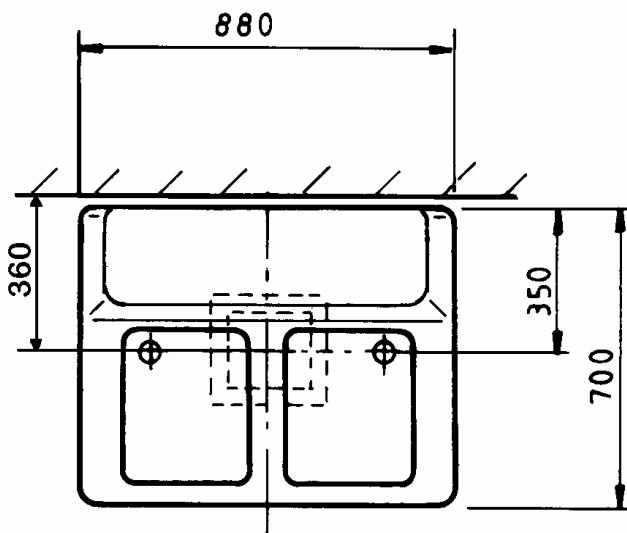
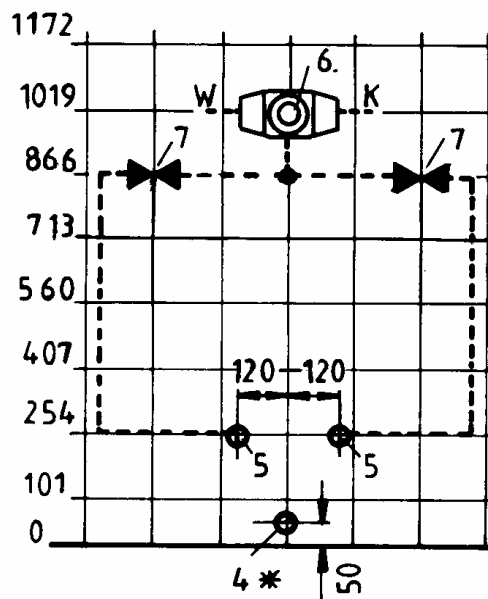
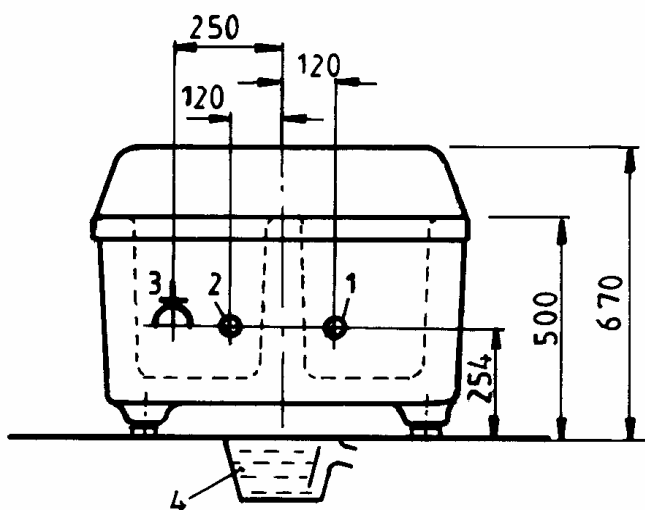
Technical details subject to change

Trautwein GmbH, 79312 Emmendingen

Tel.: 07641/4677-30 Fax: 07641/4677-70

Internet: <http://www.trautwein-gmbh.com>

14.03.07



Contrast foot bath
model Kneipp
type WF-WA-K
part-no. AT3044

7. under plaster valve 1/2" warm/cold

On-site connections

1. cold water sleeve 1/2" flush with tiles
2. warm water sleeve 1/2" flush with tiles
3. electrical floor connection, 230V, 50Hz, 50W (only with built-in contrast bath control)
4. drainage Ø 70 mm
5. mixed water sleeve 1/2" flush with tiles
6. under plaster thermostatic mixer 1/2"

On-site safety measures

stop cock cold and warm water
if the drain of the tub is stationary connected, a room draining must exist.
electric installation according DIN IEC/VDE
weight: 42 Kg

Technical details subject to change

hip bath
model Standard
type S-WA-AC
part-no. AT3060

consisting of:

Acrylic glass tub body, seamlessly deformed, glass-fibre reinforced, on 4 adjustable feet. Plastic cladding.
Choice of colour according to colour chart.

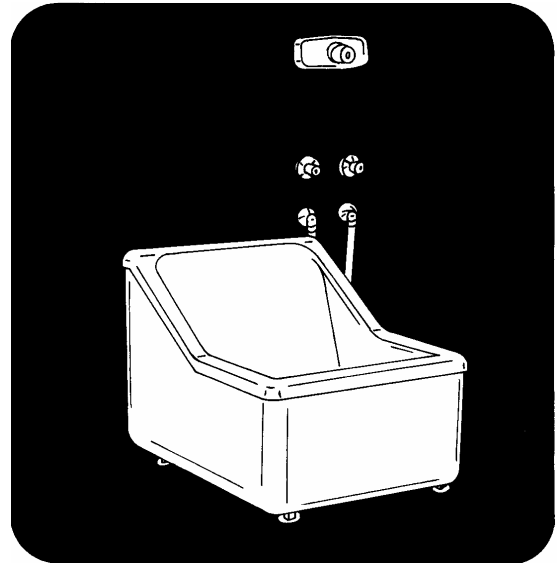
Dimensions:

Width 760 mm, depth/Tiefe 880 mm, height front 430 mm,
height back 670 mm

Fittings:

1 drainage battery 1¼", with plug.
1 filling shell with on the side with connection hose pipe and
wall drain pipe ½" chromium plated with clock
thermometer.

Accessories: see overview sheet 14.03.01 and 14.03.02
special fittings and accessories

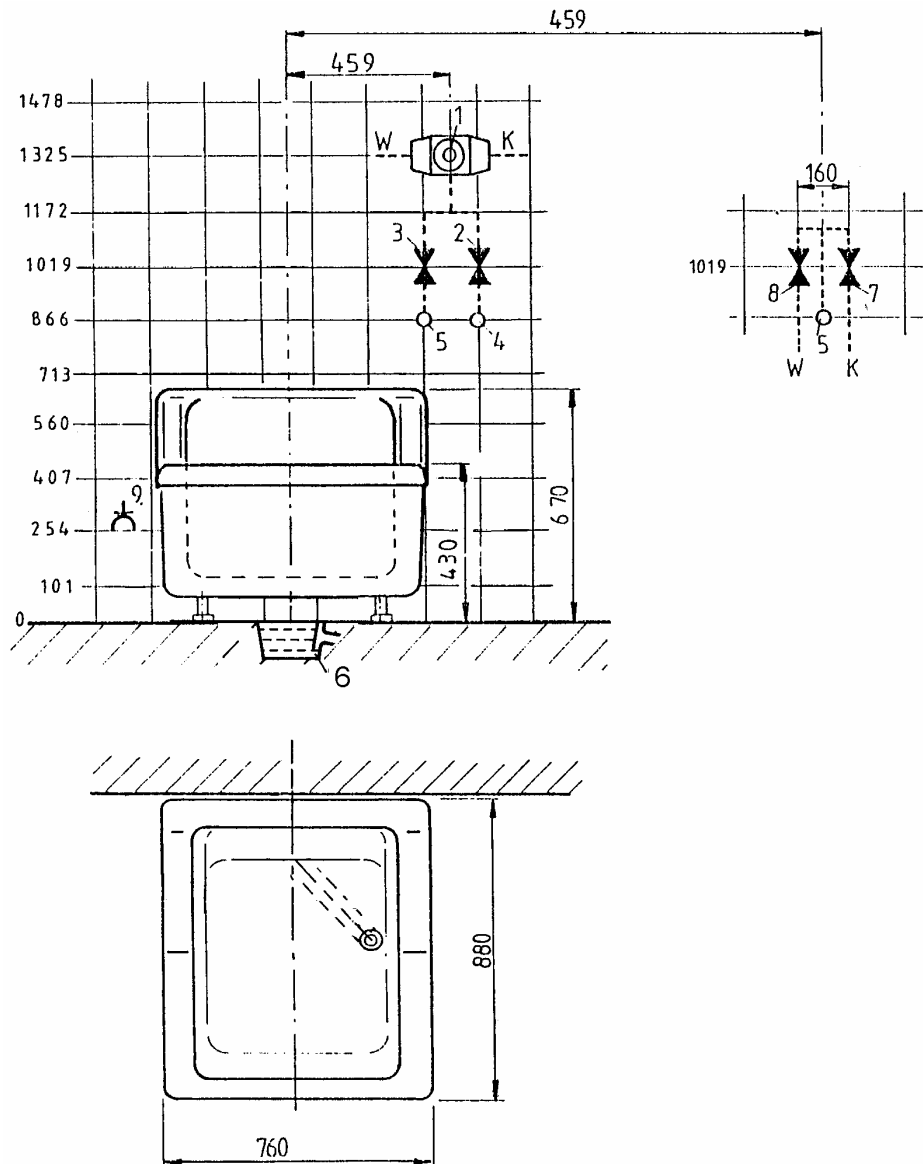
**3**

Technical details subject to change

Trautwein GmbH, 79312 Emmendingen

Tel.: 07641/4677-30 Fax: 07641/4677-70
Internet: <http://www.trautwein-gmbh.com>

14.03.08



hip bath
 model Standard
 type S-WA-AC
 part-no. AT3060

On-site connections

1. UP thermostat 1/2"
2. UP valve 1/2"
3. UP valve 1/2"
4. sleeve 1/2" flush with tiles
5. sleeve 1/2" flush with tiles
6. drainage with odour trap \varnothing 70
9. socket 230 V, 50 Hz, 80 W (for ultra sonic)

version mixer

- 7.-8. UP valves 1/2"
- weight: 40 Kg

Technical details subject to change

hip bath
model Nürnberg
type S-HS-AC
part-no. AT3115

with height-adjustable seat
consisting of:

Acrylic glass tub body, seamlessly deformed, glass-fibre reinforced, on 4 adjustable feet. Plastic cladding.
Choice of colour according to colour chart.

Dimensions:
Width 760 mm, depth 880 mm, height front 480 mm,
height back 730 mm, tub depth 300 mm

Fittings:

- 1 drainage battery 1¼", with plug.
- 1 filling shell with on the side with connection hose pipe and wall drain pipe ½" chromium plated with clock thermometer.
- 1 seat covering is easily removed without special tools for easy exchange. Seat is adjustable from chair height to tub floor level.
- 1 leg support with incorporated heel-rests to prevent blocked circulation (thromboses). The leg support follows automatically the seat when lowering the seat.
- 1 electro-mechanical drive for height adjustment of the seat with automatic limit switch-off in the end position.
- 1 non-electric pneumatic control with safety switch

Technical data:

electr. connection: 230 V AC, 200 W

Accessories: see overview sheet 14.03.01 and 14.03.02
special fittings and accessories

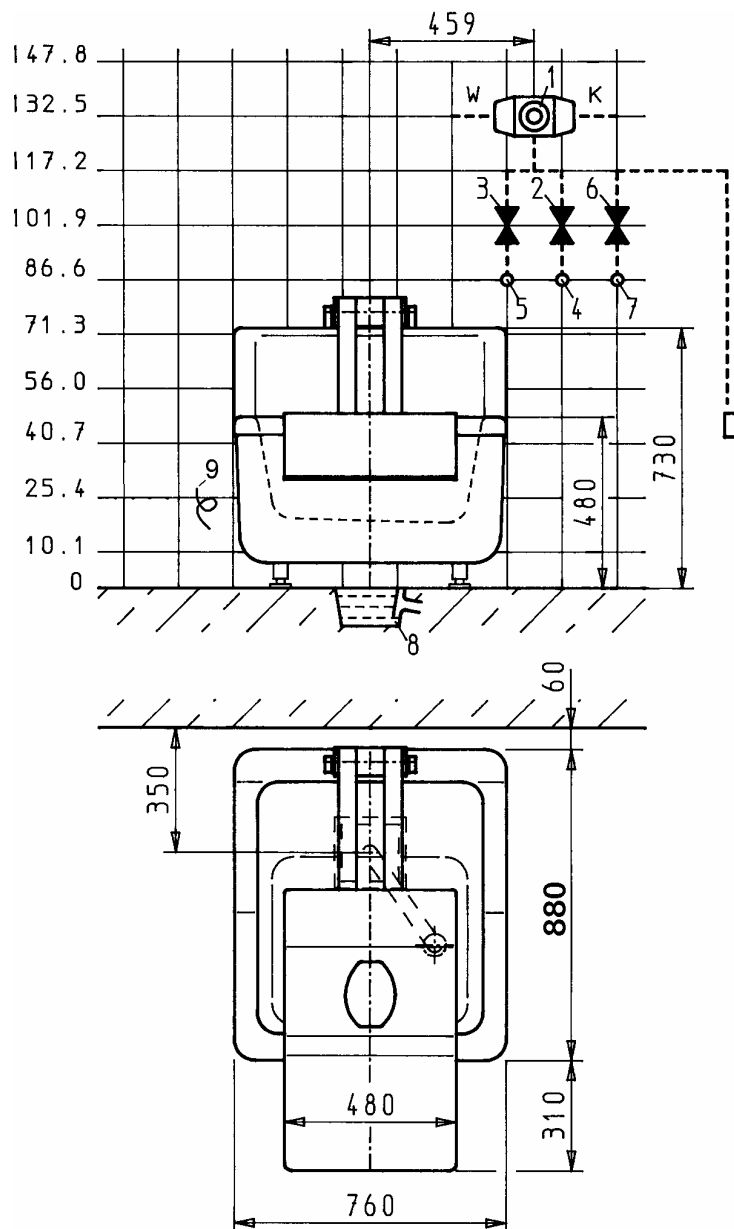
**3**

Technical details subject to change

Trautwein GmbH, 79312 Emmendingen

Tel.: 07641/4677-30 Fax: 07641/4677-70
Internet: <http://www.trautwein-gmbh.com>

14.03.09



hip bath
 model Nürnberg II
 type S-HS-AC
 part-no. AT3115

On-site connections

1. UP thermostat 1/2"
2. UP valve 1/2" (filling)
3. UP valve 1/2" (lower shower)
4. sleeve 1/2" flush with tiles (filling)
5. sleeve 1/2" flush with tiles (lower shower)
6. UP valve 1/2" warm (desinfektion)
7. sleeve 1/2" flush with tiles (central disinfection supply)
8. drainage with odour trap \varnothing 70
9. electrical connection 230V, 50Hz, 200W, cable length 1,5m

On-site safety measures

All-pole circuit breaker within the room. Protection switch, nominal fault current max. 30 mA
 electric installation according DIN IEC/VDE
 weight: 75 Kg

Technical details subject to change

Four-chamber bath
model Wörishofen
type GI-VZ
part-no. AT3081

consisting of:

compact appliance, built-on arm tubs on consoles, cladding with height-adjustable feet and revision doors. Baths and other casing made from reinforced fibreglass plastic, heat and acid-resistant.

Choice of colour according to colour chart.

Fittings:

- 1 chromium plated thermostatic safety mixing valve 1/2", under plaster, insulated built-in;
- 4 insulated built-in cocks 1/2";
- 2 plastic inlets according DIN 1717 for arm tubs;
- 2 plastic inlets according DIN 1717 for foot tubs;
- 4 plastic standpipes for drainage and overflow 1 1/4";
- 2 hose connections to the armbaths for filling with connector angle pieces, insulated;
- 8 special steel electrodes (patented) material 1.4571, electrolytically polished, detachable, arranged in a sliding way to suit the body, with protective corner profiles made of plastics.

Integrated, micro-processor controlled electrical element, type GI-VZ with 4 pulse currents:

The unit is a compact design, all connections via plug-type connectors.

- Digital numerical indication of current and voltage
- Membrane keyboard for simple operation with easily understandable symbols
- 2 functional keys ON (with LED) and OFF
- 4 keys for individually selectable polarity of electrodes (plus, minus, off)
- 1 key for single cell bath BI-POLAR
- 1 key for multiple cell bath MONO-POLAR
- 1 key for pole commutator
- 1 key for galvanic current
- 1 key for faradic current
- 2 keys for galvanic current up and down
- 1 key for start
- 1 LED for malfunction
- 1 LED for loadcontrol

supply voltage 24 V AC
power consumption 80 W
output voltage (galv./imp.) 0-24 V DC / 0-7 V AC
output current (galv./imp.) 0-2 A DC / 0-300mA AC
CE - Sign



3

Following parts are production line included:

Part-no. SU0010

4 selector keys for the superposition of the following pulsed currents:

Monophase (sinusoidal half-wave) 50 Hz, e.g. for the increase of the muscular tonus, the improvement of the blood circulation and for the treatment of pains.

Ultra irritation current rectangle 140 Hz ratio pulse/pause 2/5 e.g. for the treatment of myalgia, lumbalgia and muscular hypertonia.

Rectangular threshold current 50 Hz, with 0,5 Hz sinusoidal superposition e.g. for the efficient treatment of myalgia, neuralgia, lumbalgia and for electro-gymnastics for muscular contraction and reinforcement.

Rectangular threshold current 50 Hz, with 2 Hz sinusoidal superposition e.g. for the efficient treatment of strain, contusions and haematomas.

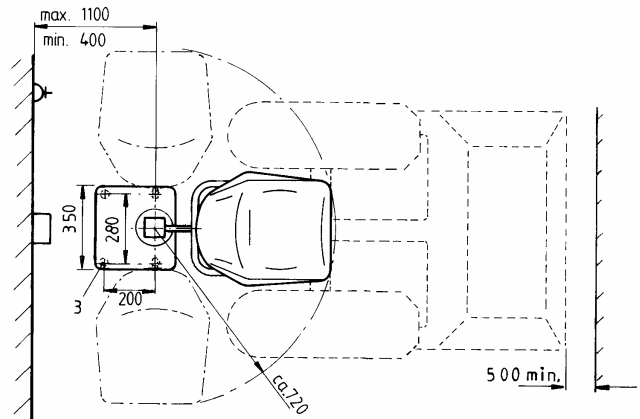
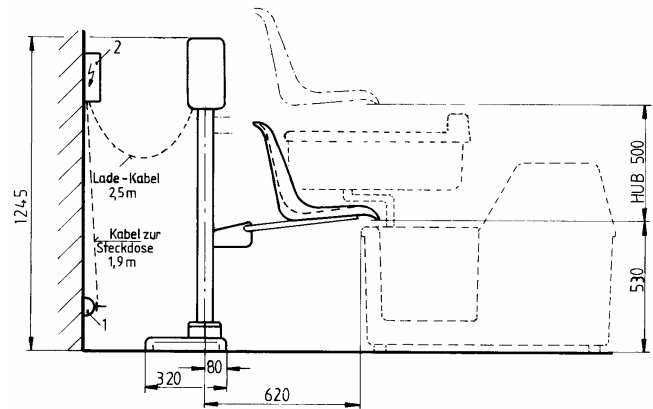
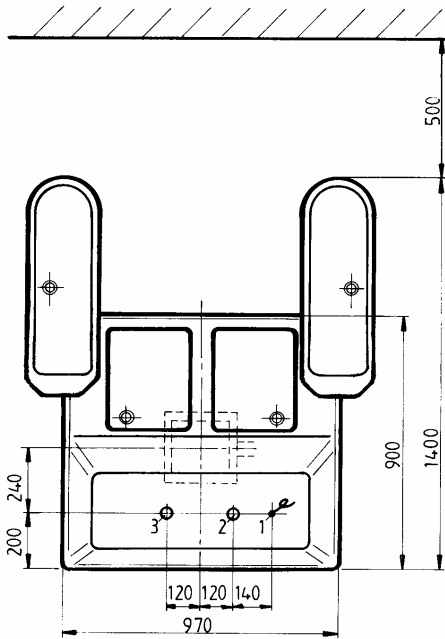
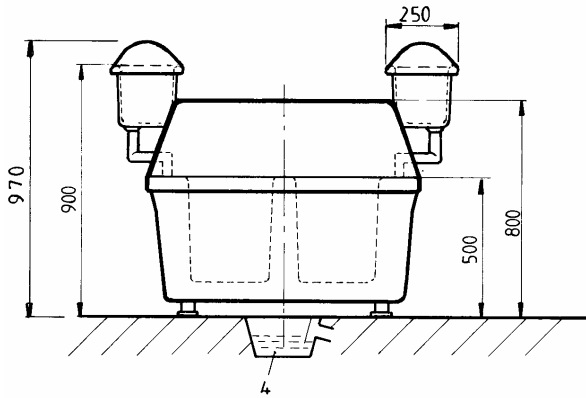
Accessories: see overview sheet 14.03.01 and 14.03.02 special fittings and accessories

Technical details subject to change

Trautwein GmbH, 79312 Emmendingen

Tel.: 07641/4677-30 Fax: 07641/4677-70
Internet: <http://www.trautwein-gmbh.com>

14.03.10



**Four-chamber bath
model Wörishofen
type GI-VZ
part-no. AT3081**

On-site connection (Four-chamber bath)

1. Electr. floor connection 230 V/1/N/SL 50 Hz, 0,1 kW, cable 1,5 mm² 1 m long
2. cold-water sleeve ½" flush with floor
3. warm-water sleeve ½" flush with floor
4. drainage with odour trap Ø 100

On-site safety measures (Four-chamber bath)

stop cock warm and cold water.
All-pole circuit breaker within the room.
Ground fault circuit indicator, nominal fault current max. 30 mA, UB=24 V
Within reach of the tub (2,50 m above, 1,25 m to the side)
no parts, appliances, etc. conducting or connected to earth potential. electric installation according DIN IEC/VDE

Minimum door width: 81 cm
weight: 90 Kg

**Swivel chair adjustable in height
part-no. ZT 3009**

On-site connections (Swivel chair)

1. socket 230 V, 50 Hz, power supply via fuses 16 A, protection switch, nominal fault current max. 30 mA. Max. distance to battery-charger 1,5 m.
2. battery-charger (included)
3. 4 x M10 Upat-anchor UKA 3, bore-hole Ø 10mm x 90mm deep in concrete.

Technical details subject to change

Four-chamber bath
model Wörishofen
type WBS-Automatik
part-no. AT3090

for automatic controlled contrast arm and foot baths,
consisting of:

compact appliance, built-on arm tubs on consoles,
cladding with height-adjustable feet and revision doors.
Baths and other casing made from reinforced fibreglass
plastic, heat and acid-resistant.
Choice of colour according to colour chart.

Fittings:

- 1 chromium plated thermostatic safety mixing valve ½",
under plaster;
- 4 filter valves 1 ¼" plastic plated;
- 2 chromium plated valves under plaster ½" for treatment of
arms, legs and foot sole;
- 2 plastic cone-form spray-showers for treatment of the
arms with connection hoses;
- 6 cone-form spray-showers for treatment of the leg and
foot-soles with connection hoses;
- 2 plastic covers as spray protection for arm baths;
- 2 plastic grid for foot tubs including plastic covers as spray
protection;
- 2 magnetic valves ½", 24 V, for cold and warm water
treatment;
- 1 control, 24 V, in iso-casing with separated protection
transformer 230/24 V, 100 VA.

**Integrated electrical element for contrast baths type
WBS**

The unit is a compact design, all connections via plug-type
connectors

- digital indication of the periods of cold and warm water
treatment
- digital indication of the number of contrast changes
- key for cold and warm periods
- key for the number of contrast changes
- funktional keys ON (with LED) and OFF
- key for start /stop with LED

Accessories: see overview sheet 14.03.01 and 14.03.02
special fittings and accessories

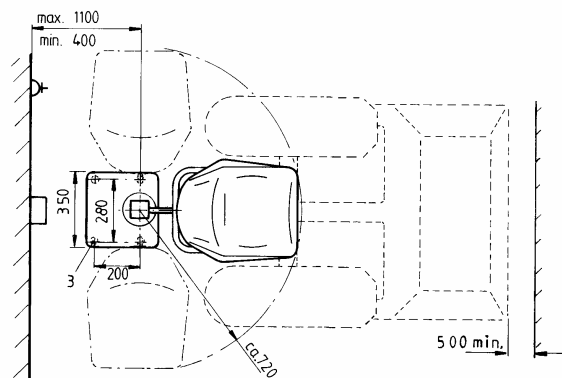
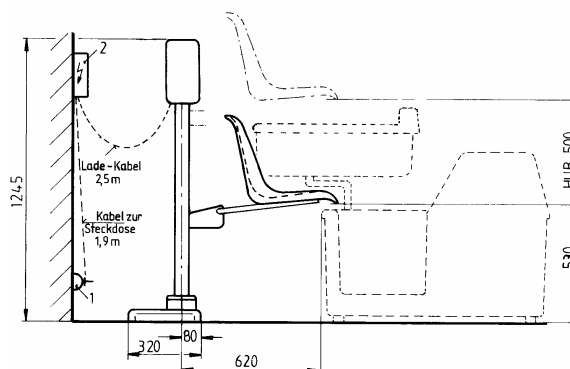
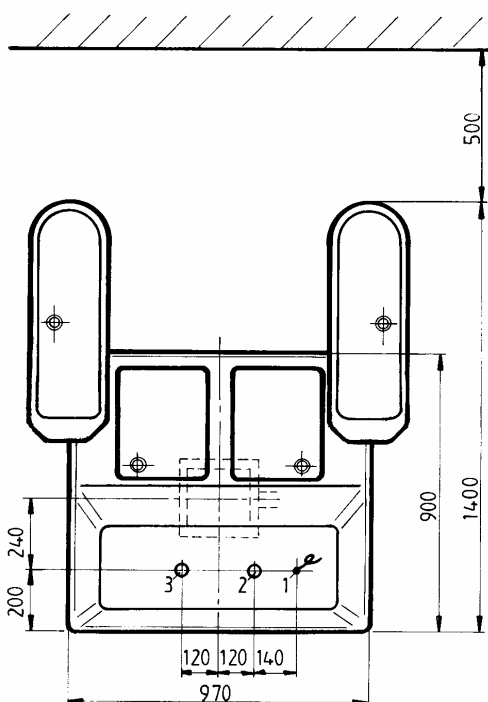
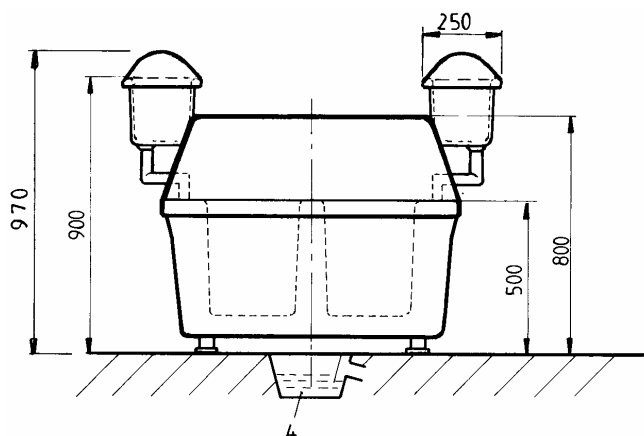
**3**

Technical details subject to change

Trautwein GmbH, 79312 Emmendingen

Tel.: 07641/4677-30 Fax: 07641/4677-70
Internet: <http://www.trautwein-gmbh.com>

14.03.11



**Four-chamber bath
model Wörishofen
type WBS-Automatic
part-no. AT3090**

On-site connection (Four-chamber bath)

1. Electr. floor connection 230 V/1/N/SL 50 Hz, 0,1 kW, cable 1,5 mm² 1 m long
2. cold-water sleeve 1/2" flush with floor
3. warm-water sleeve 1/2" flush with floor
4. drainage with odour trap Ø 100

minimum doorwith: 81 cm
weight: 90 Kg

On-site safety measures (Four-chamber bath)

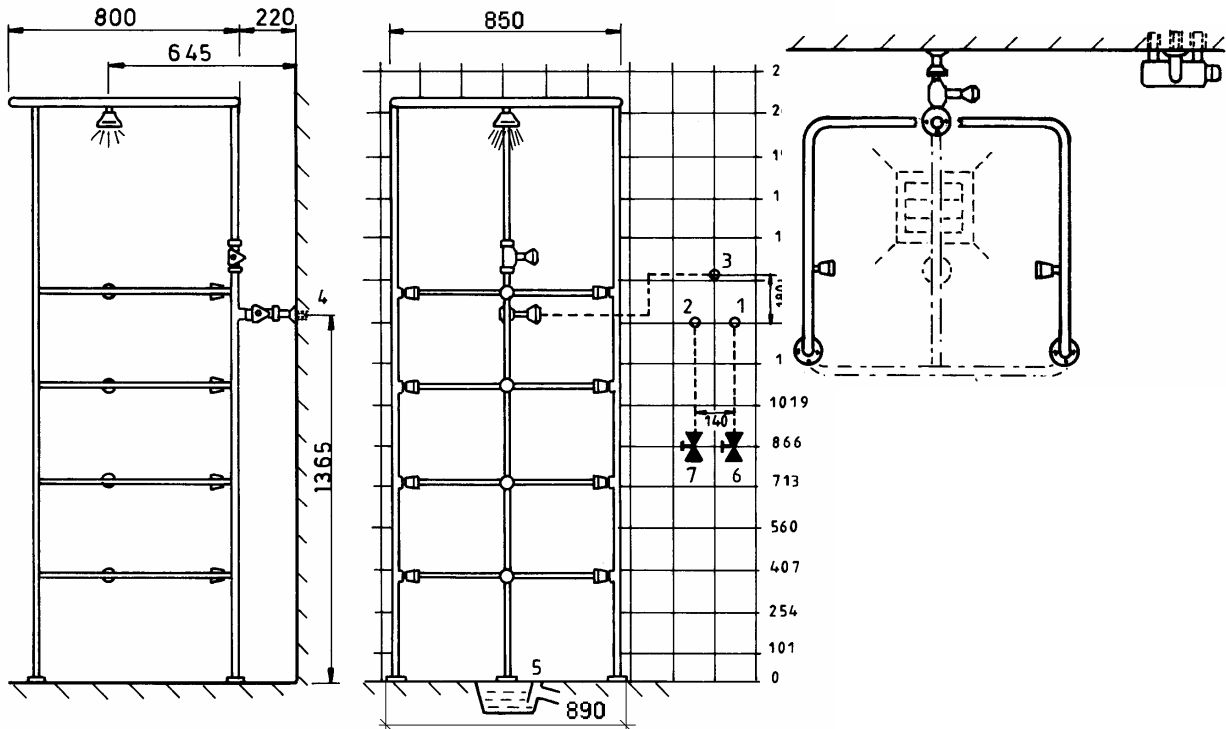
stop cock warm and cold water.
All-pole circuit breaker within the room.
Protection switch, nominal fault current max. 30 mA,
UB=24 V, electric installation according DIN IEC/VDE

**Swivel chair adjustable in height
part-no. ZT 3009**

On-site connections (Swivel chair)

1. socket 230 V, 50 Hz, power supply via fuses 16 A, protection switch, nominal fault current max. 30 mA. Max. distance to battery-charger 1,5 m.
2. battery-charger (included)
3. 4 x M10 Upat-anchor UKA 3, bore-hole Ø 10 mm x 90 mm deep in concrete

Technical details subject to change



3

Jacket shower part-no. AT3005

for connection to on-site mixed water pipes 1" according to our pre-assembly drawing.

Total dimensions:

depth 800 mm, width 820 mm, height 2170 mm

All constructions and water-bearing parts made of stainless steel. Surface in white, electrostatic powder coated.

Fittings:

- 12 shower heads made of plastic, individual adjustable and cut off function
- 1 head spray head \bar{Y} 120 mm, chromium plated
- 1 stop cock 1"
- 1 stop cock 3/4"
- 1 thermostat 1" upper plaster, chromium plated, with built-in filter and check valves. Wall drainage U-pipe with clock thermometer
- 1 two-piece shower curtain

On-site connections

- 1. cold water sleeve 1" flush with tiles
- 2. warm water sleeve 1" flush with tiles
- 3. mixed water sleeve 5/4" flush with tiles
- 4. sleeve 1" flush with tiles
- 5. drainage \varnothing 70 mm
- 6. under plaster valve 1" cold (onsite stop cock)
- 7. under plaster valve 1" warm (onsite stop cock)

Technical details subject to change

Trautwein GmbH, 79312 Emmendingen

Tel.: 07641/4677-30 Fax: 07641/4677-70
Internet: <http://www.trautwein-gmbh.com>

14.03.12