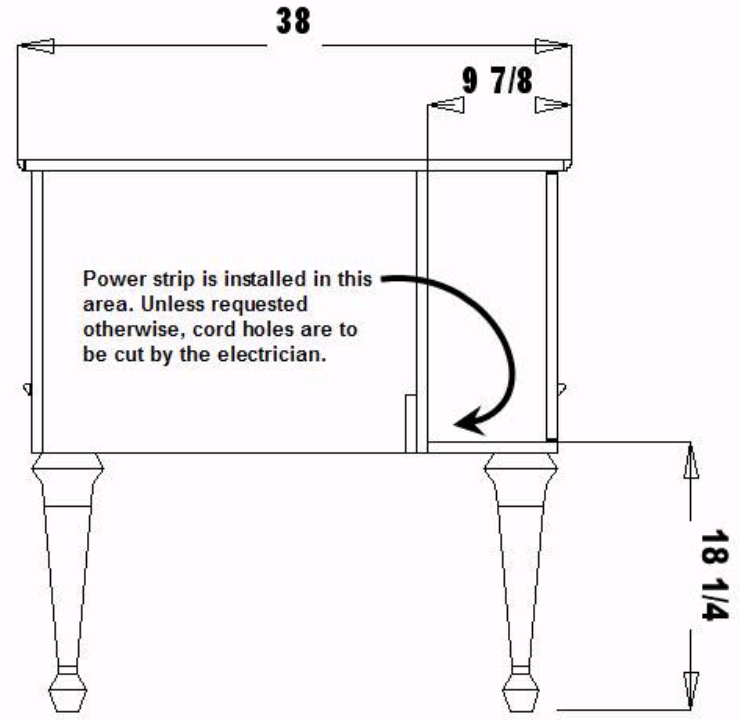


Cabinets should be attached to wood framed walls by screwing through the interior back panel into wall studs or blocking. Fasteners for wood framed walls are provided. The fasteners for other wall types are not provided.

Power strip is provided with a 4' grounded cord and (6) 15 amp outlets. Electrician is to cut outlet hole for cord and provide power supply.



Quantity - QTY

Finish Schedule - 881-36-1

Face Color - Face-Color
 Top Color - Top-Color
 Toe Color - (Specify)
 Pulls - Chrome Knobs
 Interior - Interior
 Other (Specify) -

General Notes:

1. All counter tops are to be made removable wherever possible.
2. Items must be broken into manageable sections For Shipping. Mark For Ease Of Reassembly.
3. Install Shipping Cleats Wherever Possible To Prevent Shipping Damage.
4. Purchased items Must Be Trial Fit Before Shipping.

 Collins Manufacturing
 2000 Bowser Rd.
 Cookeville TN 38506

Title: Customer-Name		
Size:	#: SO-Number	Drawn By: Engineer-Name
Date: 02/27/07	Sheet #: 4	