

Peaceful and relaxing, the Model 620's exclusive dual jet Convergent Flow Technology coupled with the Elite Hydrotherapy System provides the perfect spa bathing experience. The Model 620's unique keystone vessel and ergonomic jet placement creates a comfortable space that will envelope you with a full-body, invigorating Pipeless™ hydrotherapy massage.

- A sumptuous, rectangular-type spa bath, Model 620 offers dual sets of Convergent Flow Technology jets for complete relaxation and is perfect for the single bather
- **Elite Hydrotherapy System** features six ultra-quiet, therapeutic Pipeless jets
- For drop-in and undermount installation with an end-drain location
- Available with soothing chromatherapy lighting, ergonomic grab bars and decorative drain with integral overflow

## The Pipeless Advantage

Every SANIJET® spa bath features the purity of Pipeless technology. With no pipes to trap bath residue and foster the growth of harmful bacteria commonly found in most ordinary piped and air-bubble systems, our patented Pipeless system ensures hospital-grade disinfection. Every time you slip into a SANIJET spa bath it's pure, clean and sanitary – exactly the way bathing is supposed to be.

## Smooth, Quiet Operation

Whisper quiet and free of vibration, SANIJET spa baths produce half the noise of conventional piped whirlpools and a fourth as much as air-bubble baths, ensuring your spa bath experience is peaceful and relaxing.

## True Spa-Quality Hydrotherapy

Envelop your body in a soothing cushion of therapeutic relaxation. SANIJET has combined simple water flow with advanced technology and complete hydrotherapy control to create a genuine, spa-quality bathing environment. Whether soaking or using active hydrotherapy, enjoy your favorite essential oils and thermal bath salts with confidence – any residue left behind can be completely cleaned after each use.

The Model 620 is exclusively available with the **Elite Hydrotherapy System** featuring multiple preprogrammed massages, designed by hydrotherapy experts to deliver maximum benefit to muscles and joints at the touch of a button.

## Standard Features

- Pipeless spa baths can be thoroughly cleaned in approximately five minutes
- SANIJET's Pipeless hydrotherapy system disinfection protocol is independently certified by NSF International
- Intuitive electronic command panel with treatment timer automatically turns the spa bath off after 20 minutes of continuous use
- Requires no unsightly access panels and key components are accessible from inside the bath for easy maintenance
- Durable, easy-to-clean, lustrous acrylic construction
- Custom, pre-leveled ABS base for superior installation
- Extensive protection with the SANIJET Limited Warranty
- Available in today's popular colors: White, Biscuit, Almond and Black



### Model/System Selection

- Model 620 – Elite Hydrotherapy System: 6 Jets

### Options and Upgrades

- Chromatherapy Lighting System with color wash setting and seven solid light colors
  - Single Light System
  - Dual Light System
- Decorative finish cable-operated drain with overflow
 

<input type="radio"/> Polished Chrome	<input type="radio"/> White
<input type="radio"/> Bright Brass	<input type="radio"/> Almond
<input type="radio"/> Brushed Nickel	<input type="radio"/> Biscuit
- Tile Flange Kit
- Ergonomic grab bars: Up to two 9" grab bars
 

<input type="radio"/> White	<input type="radio"/> Almond
<input type="radio"/> Biscuit	<input type="radio"/> Black
- Colors available
 

<input type="radio"/> White	<input type="radio"/> Almond
<input type="radio"/> Biscuit	<input type="radio"/> Black

### Dimensions/Shape

- Width 36¼" (93 cm), Length 72¼" (184 cm), Height 22½" (58 cm)
- Rectangular design

### Primary Bathing Design

One-person bath

### Installation Types

Drop-in and undermount

### Drain Location

End-drain

### Material

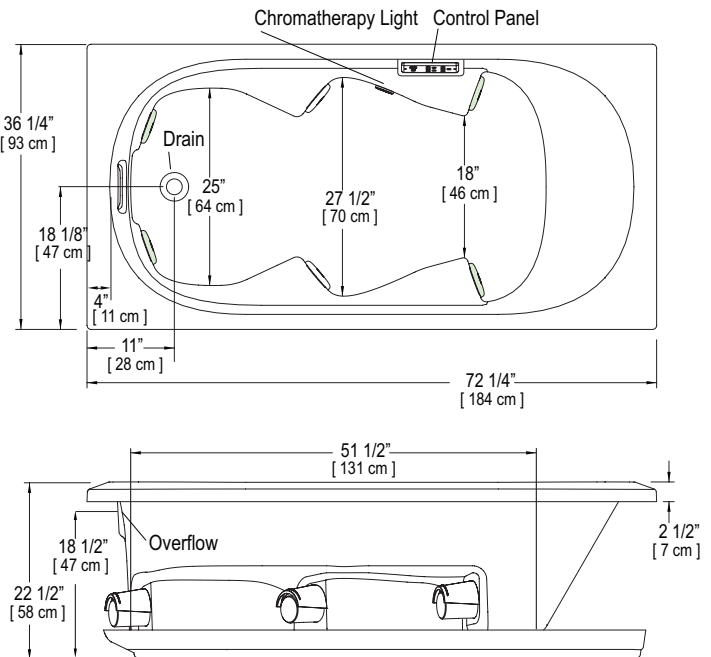
Structurally reinforced cast acrylic

### Construction

Self-contained Pipeless spa bath mounted on pre-leveled, thermoformed base

### Recommended Plumbing Requirements

- Water Supply: ¾" N. P. T.
- Drain: 1½" O.D.



**NOTE:**  
Dimensions may vary +/-¼" (7 mm). Service access panel may be required by local codes.

### Water Capacity

Operating 66 U.S. Gallons (250 liters); Min. 43 U.S. Gallons (163 liters); Max. 91 U.S. Gallons (345 liters)

### Electrical Requirements

Hard-wired, 115 VAC, 60 Hz, 15 amp dedicated circuit, GFCI protected

### Shipping

- Shipping Dimensions: Width 47" (120 cm) x Length 76" (194 cm) x Height 24" (61 cm)
- Shipping Weight: 197 lbs (90 kg)

### Warranty

Residential Use: Three-Year Limited Warranty  
Commercial Use: Two-Year Limited Warranty

### Listings and Certification

Specified models meet or exceed the following:



Specifications subject to change without notice.

### Product Specification

The spa bath shall have an outer dimension of 36¼" in width, 72¼" in length and 22½" in height. Product shall be made of reinforced cast acrylic with a pre-leveled, thermoformed ABS base. The spa bath jet system shall consist of six (6) pipeless jets with removable jet and impeller assemblies. Product shall be independently certified by NSF International for health and sanitation characteristics under Protocol P182. The following wetted component parts shall be serviceable and accessible from inside of bathing vessel: control panel, control modules, jet bodies and motors. The spa bath may be specified with an optional decorative finish drain / overflow, grab bars and chromatherapy light(s). Product shall be a SANIJET Model 620 with an Elite Hydrotherapy System and 6 jet configuration.