



Sleek, rectangular styling coupled with a spacious oval bathing vessel makes this spa bath a modern masterpiece. Available in two convenient sizes to fit most home spa needs, the larger Model 640-4272 is an outstanding choice for authentic spa-quality hydrotherapy with six therapeutic jets for the ultimate bathing pleasure.

- An elite rectangular-style spa bath with a full-size, ergonomic backrest for complete relaxation and rejuvenation, designed for single and couples bathing
- **Elite Hydrotherapy System** features six ultra-quiet, therapeutic Pipeless™ jets
- For drop-in and three-wall alcove installation with a mid-drain location
- Available with soothing chromatherapy lighting, ergonomic grab bars, decorative drain with integral overflow and matching acrylic skirt

The Pipeless Advantage

Every SANIJET® spa bath features the purity of Pipeless technology. With no pipes to trap bath residue and foster the growth of harmful bacteria commonly found in most ordinary piped and air-bubble systems, our patented Pipeless system ensures hospital-grade disinfection. Every time you slip into a SANIJET spa bath it's pure, clean and sanitary – exactly the way bathing is supposed to be.

Smooth, Quiet Operation

Whisper quiet and free of vibration, SANIJET spa baths produce half the noise of conventional piped whirlpools and a fourth as much as air-bubble baths, ensuring your spa bath experience is peaceful and relaxing.

True Spa-Quality Hydrotherapy

Envelop your body in a soothing cushion of therapeutic relaxation. SANIJET has combined simple water flow with advanced technology and complete hydrotherapy control to create a genuine, spa-quality bathing environment. Whether soaking or using active hydrotherapy, enjoy your favorite essential oils and thermal bath salts with confidence – any residue left behind can be completely cleaned after each use.

The Model 640-4272 is exclusively available with the **Elite Hydrotherapy System** featuring multiple preprogrammed massages, designed by hydrotherapy experts to deliver maximum benefit to muscles and joints at the touch of a button.

Standard Features

- Pipeless spa baths can be thoroughly cleaned in approximately five minutes
- SANIJET's Pipeless hydrotherapy system disinfection protocol is independently certified by NSF International
- Intuitive electronic command panel with treatment timer automatically turns the spa bath off after 20 minutes of continuous use
- Requires no unsightly access panels and key components are accessible from inside the bath for easy maintenance
- Durable, easy-to-clean, lustrous acrylic construction
- Custom, pre-leveled ABS base for superior installation
- Extensive protection with the SANIJET Limited Warranty
- Available in today's popular colors: White, Biscuit, Almond and Black



Model/System Selection

- Model 640-4272 – Elite Hydrotherapy System: 6 Jets

Options and Upgrades

- Chromatherapy Lighting System with color wash setting and seven solid light colors
 - Single Light System
 - Dual Light System
- Decorative finish cable-operated drain with overflow

<input type="radio"/> Polished Chrome	<input type="radio"/> White
<input type="radio"/> Bright Brass	<input type="radio"/> Almond
<input type="radio"/> Brushed Nickel	<input type="radio"/> Biscuit
- 6' Acrylic Skirt

<input type="radio"/> White	<input type="radio"/> Almond
<input type="radio"/> Biscuit	<input type="radio"/> Black
- Tile Flange Kit
- Ergonomic grab bars: Up to two 12" grab bars

<input type="radio"/> White	<input type="radio"/> Almond
<input type="radio"/> Biscuit	<input type="radio"/> Black
- Colors available

<input type="radio"/> White	<input type="radio"/> Almond
<input type="radio"/> Biscuit	<input type="radio"/> Black

Dimensions/Shape

- Width 42¹/₈" (107 cm), Length 71⁵/₈" (183 cm), Height 23⁵/₈" (61 cm)
- Rectangular design

Primary Bathing Design

One-person bath

Installation Types

Drop-in and three-wall alcove

Drain Location

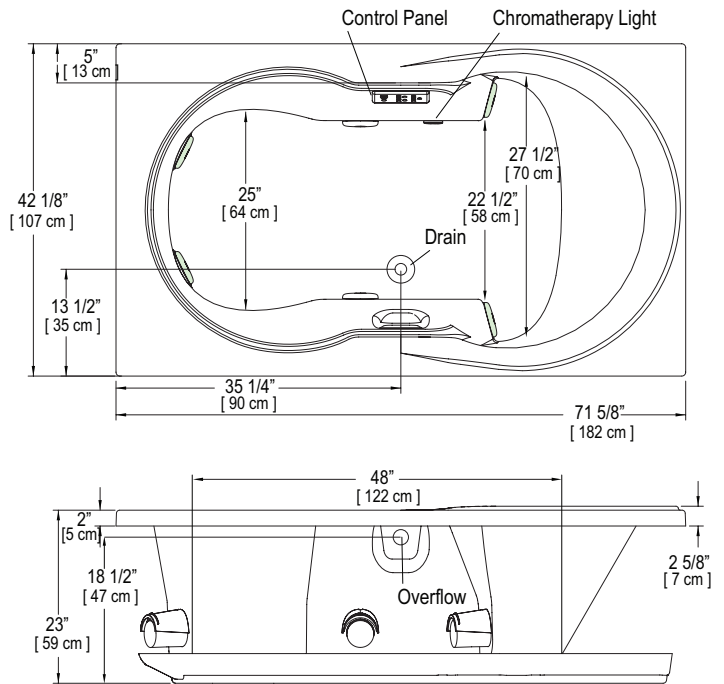
Mid-drain

Material

Structurally reinforced cast acrylic

Construction

Self-contained Pipeless spa bath mounted on pre-leveled, thermoformed base



NOTE:

Actual measurements may vary +/-1/4" (7 mm). Service access panel may be required by local codes.

Recommended Plumbing Requirements

- Water Supply: 3/4" N. P. T.
- Drain: 1 1/2" O.D.

Water Capacity

Operating 63 U.S. Gallons (239 liters); Min. 43 U.S. Gallons (163 liters); Max. 86 U.S. Gallons (326 liters)

Electrical Requirements

Hard-wired, 115 VAC, 60 Hz, 15 amp dedicated circuit, GFCI protected

Shipping

- Shipping Dimensions: Width 47" (120 cm) x Length 76" (194 cm) x Height 24" (61 cm)
- Shipping Weight: 193 lbs (88 kg)

Warranty

Residential Use: Three-Year Limited Warranty
Commercial Use: Two-Year Limited Warranty

Listings and Certification

Specified models meet or exceed the following:



Specifications subject to change without notice.

Product Specification

The spa bath shall have an outer dimension of 42¹/₈" in width, 71⁵/₈" in length and 23⁵/₈" in height. Product shall be made of reinforced cast acrylic with a pre-leveled, thermoformed ABS base. The spa bath jet system shall consist of six (6) pipeless jets with removable jet and impeller assemblies. Product shall be independently certified by NSF International for health and sanitation characteristics under Protocol P182. The following wetted component parts shall be serviceable and accessible from inside of bathing vessel: control panel, control modules, jet bodies and motors. The spa bath may be specified with an optional decorative finish drain / overflow, grab bars and chromatherapy light(s) and acrylic skirt. Product shall be a SANIJET Model 640-4272 with an Elite Hydrotherapy System and 6 jet configuration.