

PRELIMINARY INSTALLATION



COMFORT WASH Backwash Unit

Important note for the salon owner

The technical information provided in this document is intended for the local installer. If you have not already done so, please engage a contractor to carry out the necessary installation work in good time so as not to risk delays to your scheduled fitting.

Please pass on this technical information on to your installer along with the WELONDA LAYOUT, indicating the precise positioning of the installation.

We strongly advise the PRELIMINARY and FINAL INSTALLATION be carried out only by APPROVED PROFESSIONAL INSTALLERS, in compliance with the nationally applicable technical standards for drinking water installation (e.g. in Germany DIN – DVGW) and with the regulations of the local water utility.

Failure to comply with the technical requirements will result in voiding of warranty claims.

Salon			E no.
			Z no.
Type	Designation	Quantity	Layout item

For the unit to operate correctly, please be sure to follow these **RULES**

<u>Description</u>	<u>Unit connections</u>	<u>Recommendations for on-site installation</u>
Location, dimensions and placement		Note: Refer to the blue water center lines in the layout and the detail sketch.
Floor attachment	Size 12 drill holes for attachment Plugs size M 10 x 100	Plugs size M 10 x 100 Note: Check the condition of the floor prior to installing.
Filter	The filter should be selected in accordance with national regulations (e.g. in Germany DIN 1988, part 3)	The filter must be installed before the drinking water system is filled for the first time. It is fitted immediately behind the water meter unit. In order to avoid detrimental effects (pressure loss, water shortage and germ infestation), only filters bearing the required national test mark (e.g. in Germany DIN-DVGW) must be installed.
Pressure reducer valve	The pressure reducer valve must be set so that the water pressure in the unit does not exceed a maximum of 4.5 bar.	The pressure reducer valve should be inserted into the main, ideally behind the water gauge.
Supply line for hot and cold water	Flex pressure hoses with 3/8" union nut	The supply line must be dimensioned to ensure the throughput rate of 12 liters per minute. Note: If you plan to install multiple units in sequence connected to one supply line, the supply line must be larger in dimension. With regard to other aspects the regulations of the local water utility and the provisions of the DIN 1988 standard must be observed.
Shut-off valves	3/8" connection	Spherical shut-off valves should be used.
Drain	Flex hose with nominal width 40 connection	Minimum gradient 2 cm per metre Note: The drain must be installed in accordance with DIN 1968 part 1, page 14.
Anti-stench trap	Tubular siphon in unit	Note: The backwash unit incorporates an anti-stench trap. <u>Do not install any additional anti-stench traps</u> , otherwise vacuum will cause a disturbance to the operating process.
Hot water systems		Only high-pressure electric storage systems , gas pressure storage systems or pressurized central hot water treatment systems. All low-pressure systems and flow heaters are totally unsuitable
Electrical connection	230 V AC or 110 V AC	230 V AC or 110 V AC Cable length out of floor 60 cm (three-core)
Final installation		The salon owners shall notify the local installer of the scheduled WELONDA installation date, so that final installation can ideally be completed while the backwash unit is being installed.

ATTENTION

- All installation and other works must be undertaken with the greatest care and accuracy in consultation between the local installer, the floor screed and flooring layers and the Welonda architect.
- When installing the backwash unit it is essential that the specified installation dimensions are observed and that – provided the bare floor conditions permit – the supplied plugs are used, as described on the following pages.
- For the supply lines, pipes of the correct dimensions – and for the drainage water with the correct gradient – must be installed.
- Shut-off valves must be installed between the supply line and the flex hose forming part of the unit – see detail drawings on the following pages.

PRELIMINARY AND FINAL INSTALLATION

1. Scribe drill holes for plugs of size M 10 x 100 as per the installation instructions and drill the holes approximately 110 mm deep and in 25 mm diameter.
2. Screw in the M 10 x 100 plugs and size M 10 threaded rods and seal them complete with quick binding agent.
3. Ensure the M 10 x 100 plugs are firmly anchored in the bare floor.
4. **Note:** If the floor is raised to such an extent that no adequate attachment is possible using the supplied size M 10 x 200 threaded rods, new threaded rods, cut to length on-site, must be used. The threaded rods must protrude about 30 mm above the top edge of the finished floor in order to ensure fault-free installation of the backwash unit.
5. During installation in or through the floor, make the breakthroughs for the hot and cold water supply lines and the drain. If the installation cannot be laid through or in the floor, ducting to conceal the pipes is available for wall mounting.
6. Be sure to install the hot and cold water connections on the correct sides and in accordance with the installation instructions, as this is essential to ensuring the subsequent fault-free operation of the unit.
7. All connections must be checked for leakage following installation.

IMPORTANT !

The **seating direction** specified on the following pages must match the fitments layout plan.

Electrical installation

The electrical installation must be carried out only by APPROVED PROFESSIONAL ELECTRICAL CONTRACTORS.

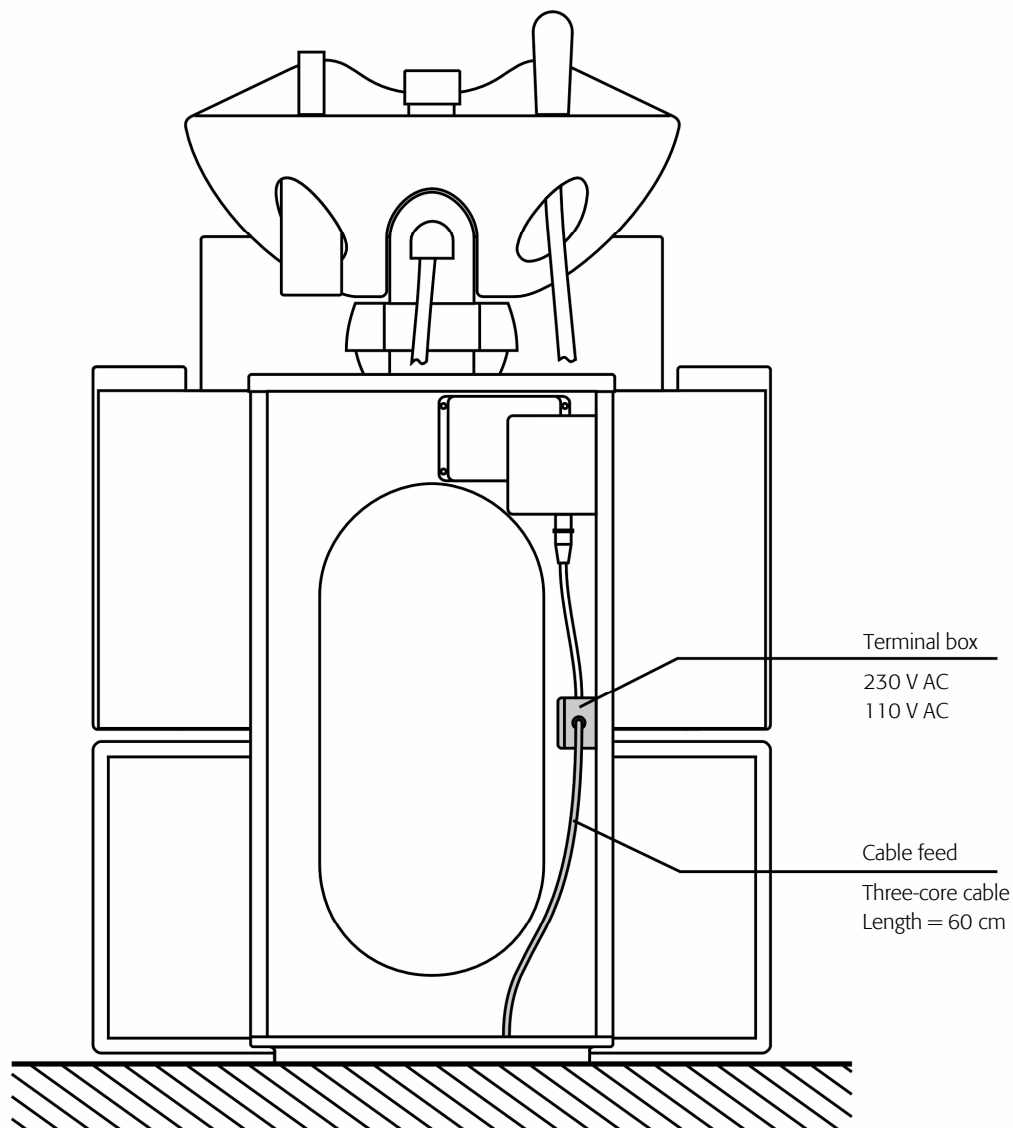
Unit performance data:

Input voltage 230 V AC or 110 V AC

Power consumption: at 230V 50 Hz max. 0.63 A

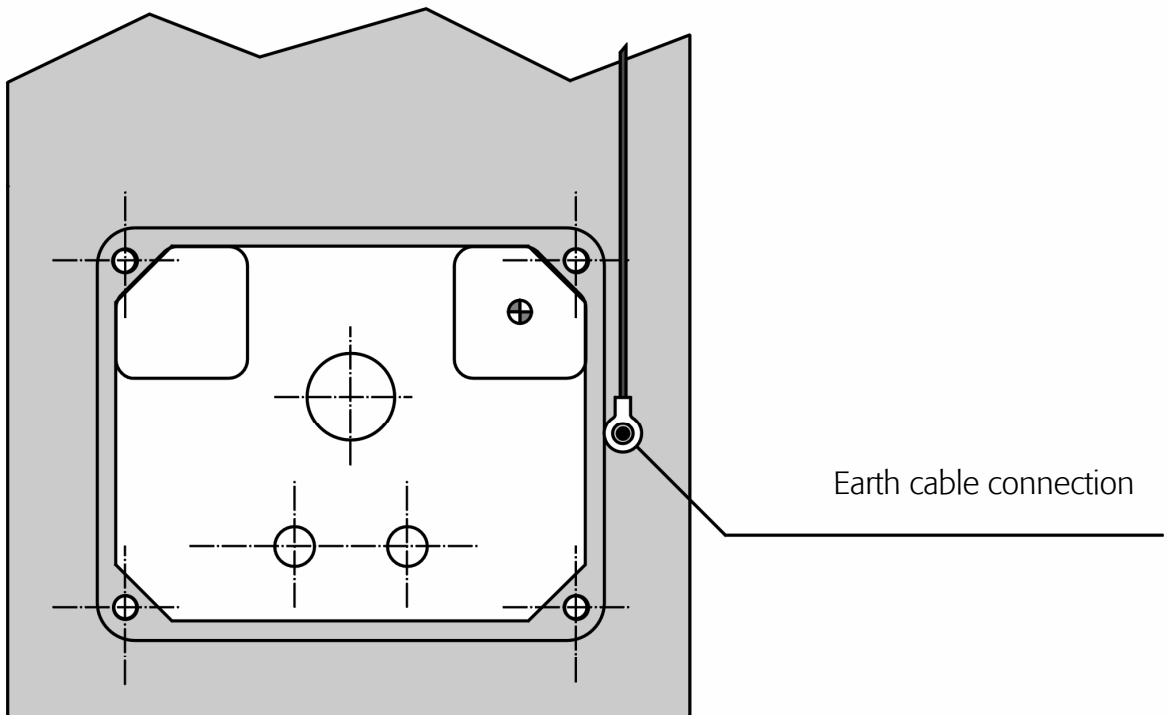
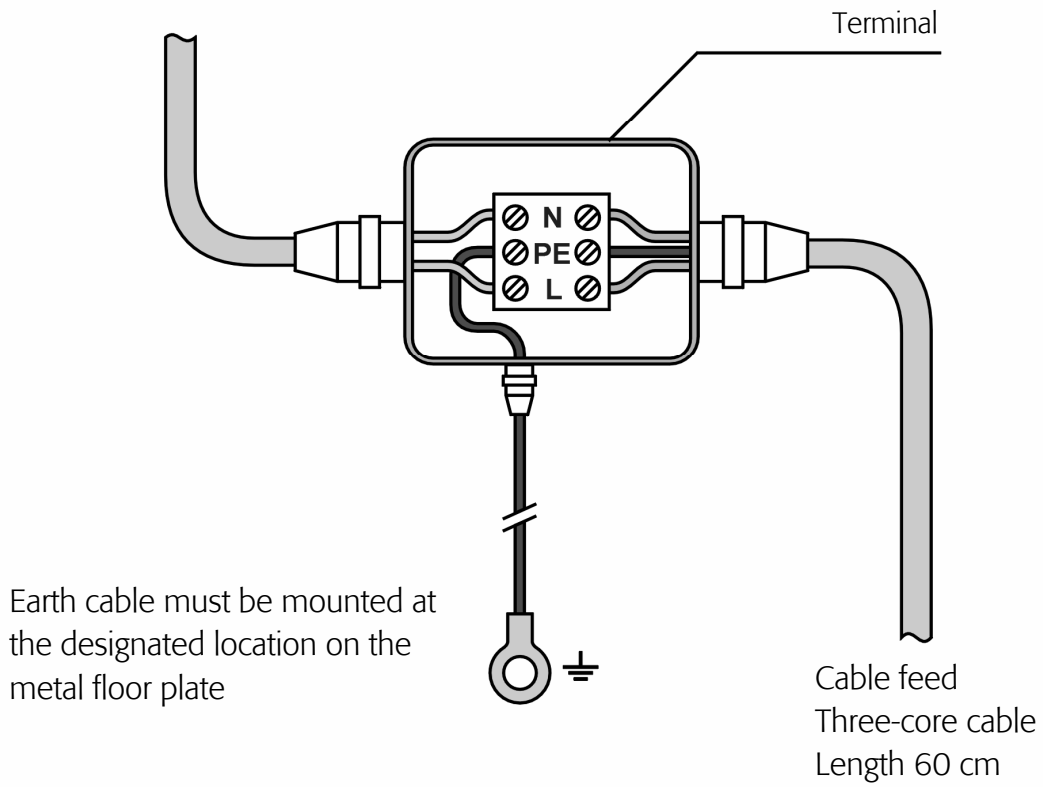
Power consumption: at 110V 50 Hz max. 1.25 A

The supply cable must be fitted with a 30 mA earth leakage circuit breaker (elcb).



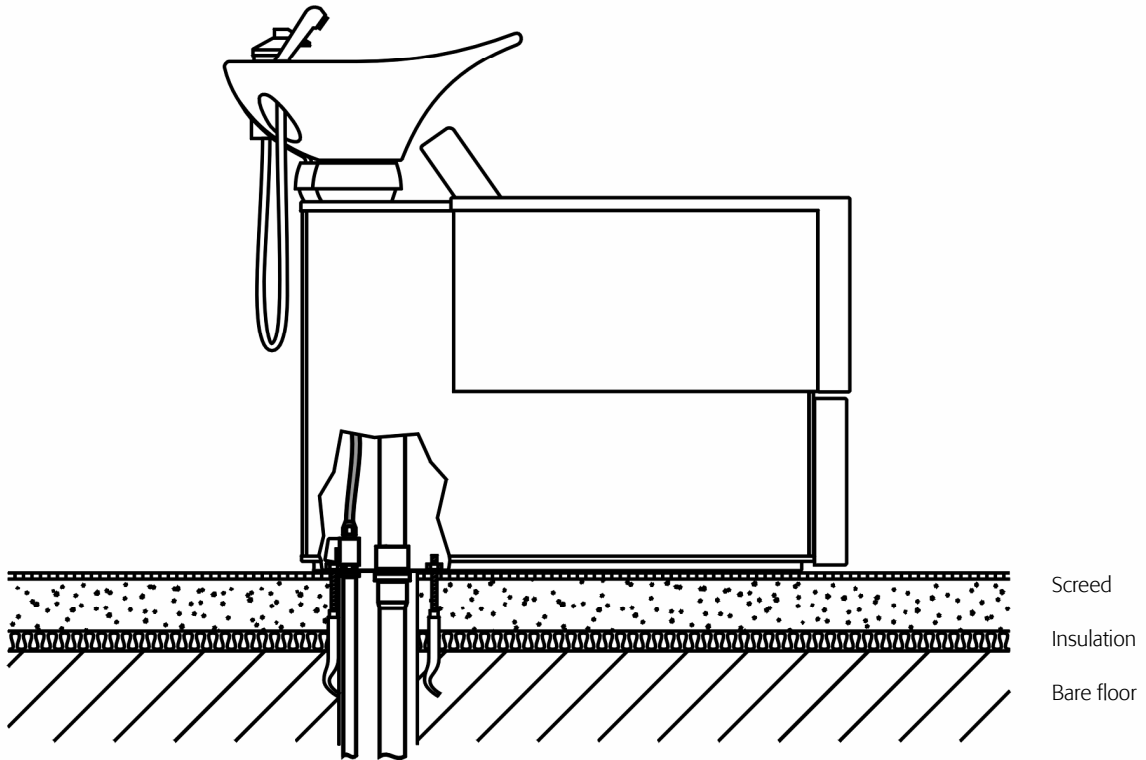
Power connection

Attention: Ensure correct polarity !

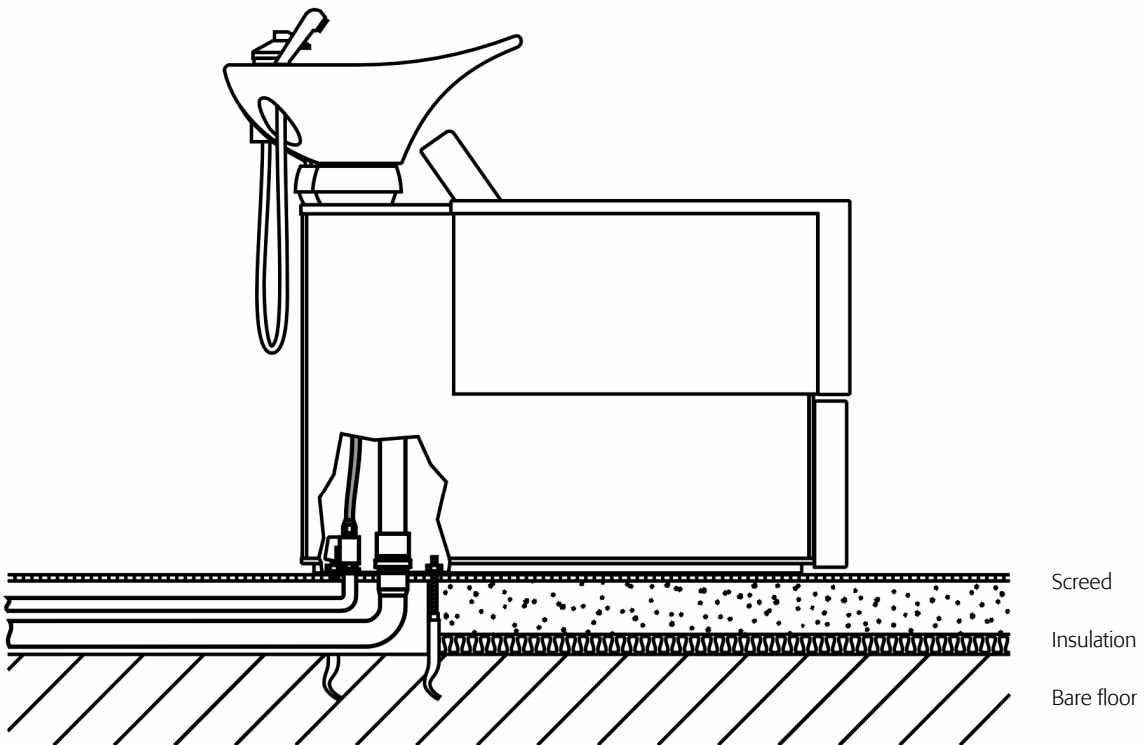


Floor attachments

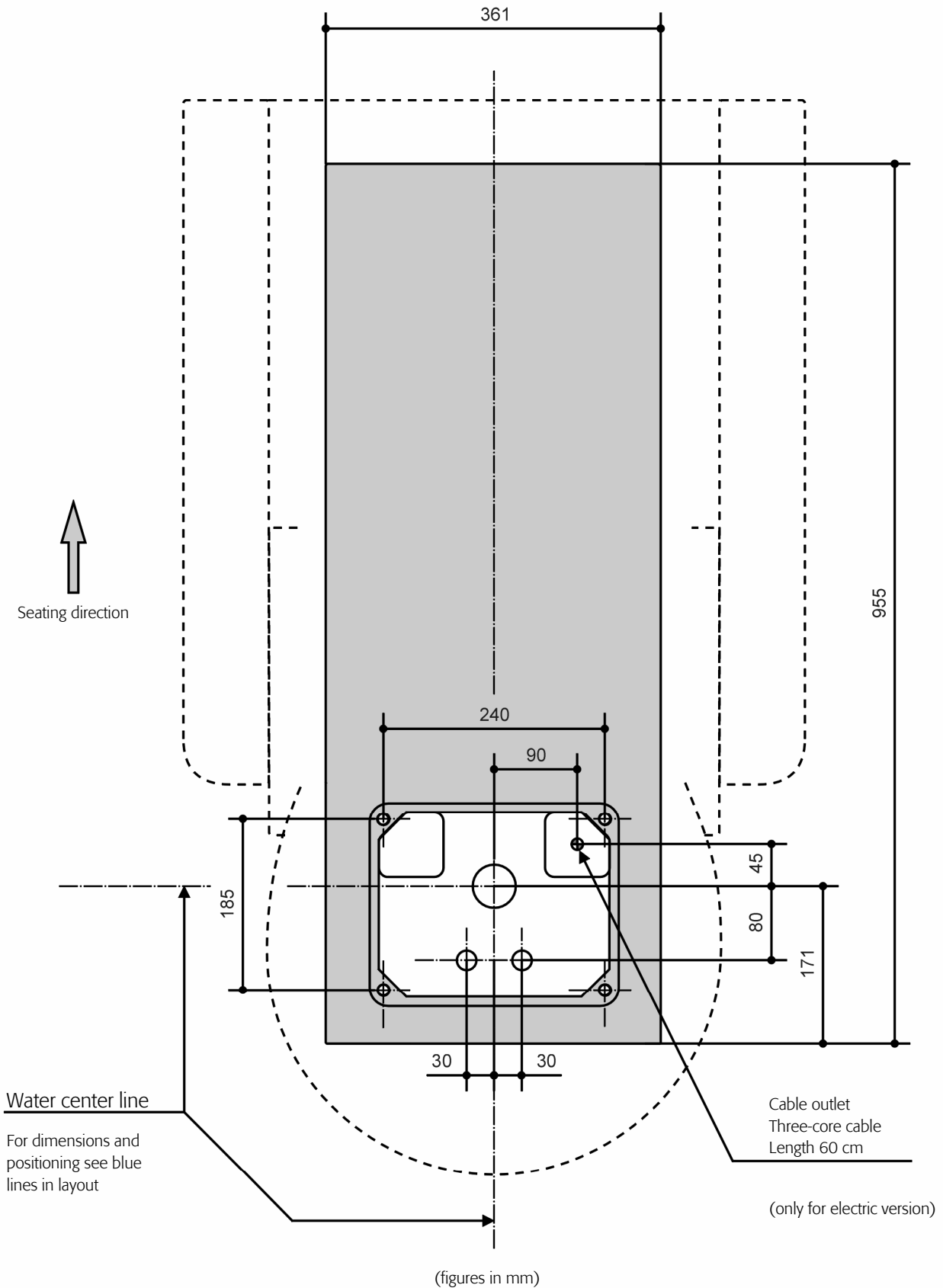
Installation through floor



Installation in floor

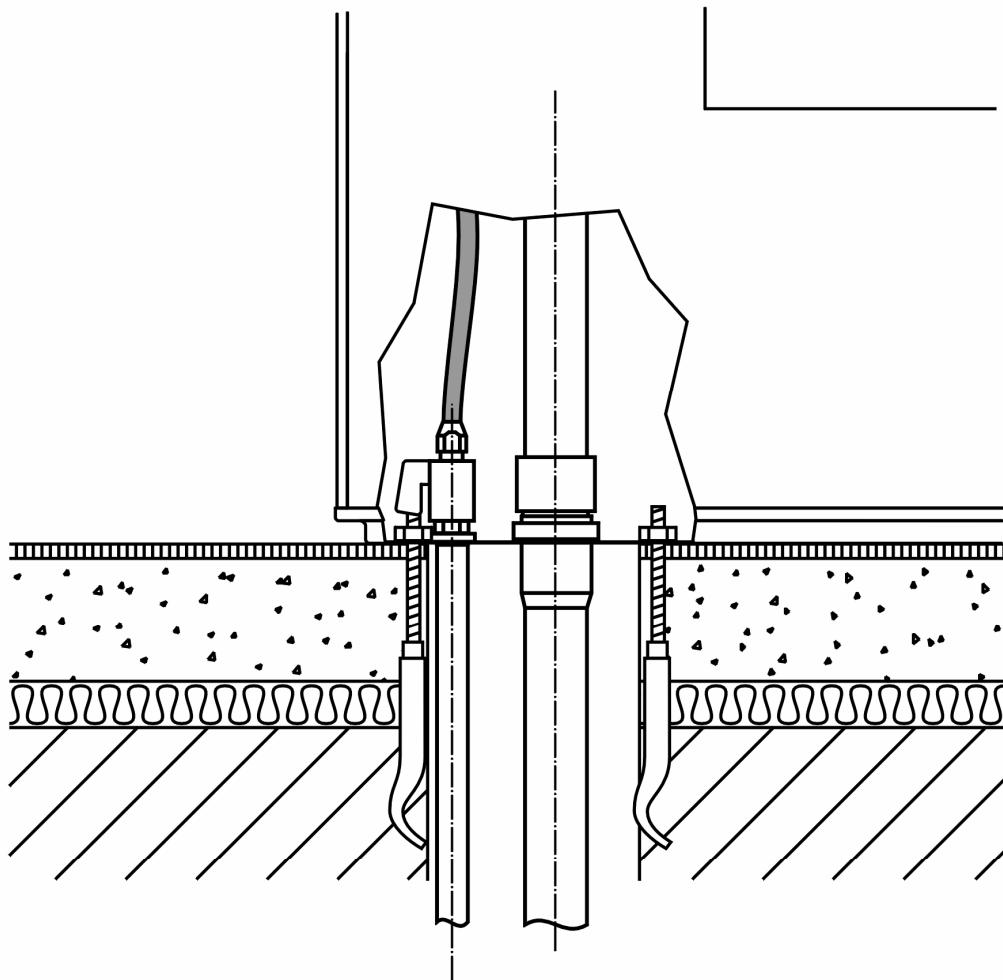


Connection and installation



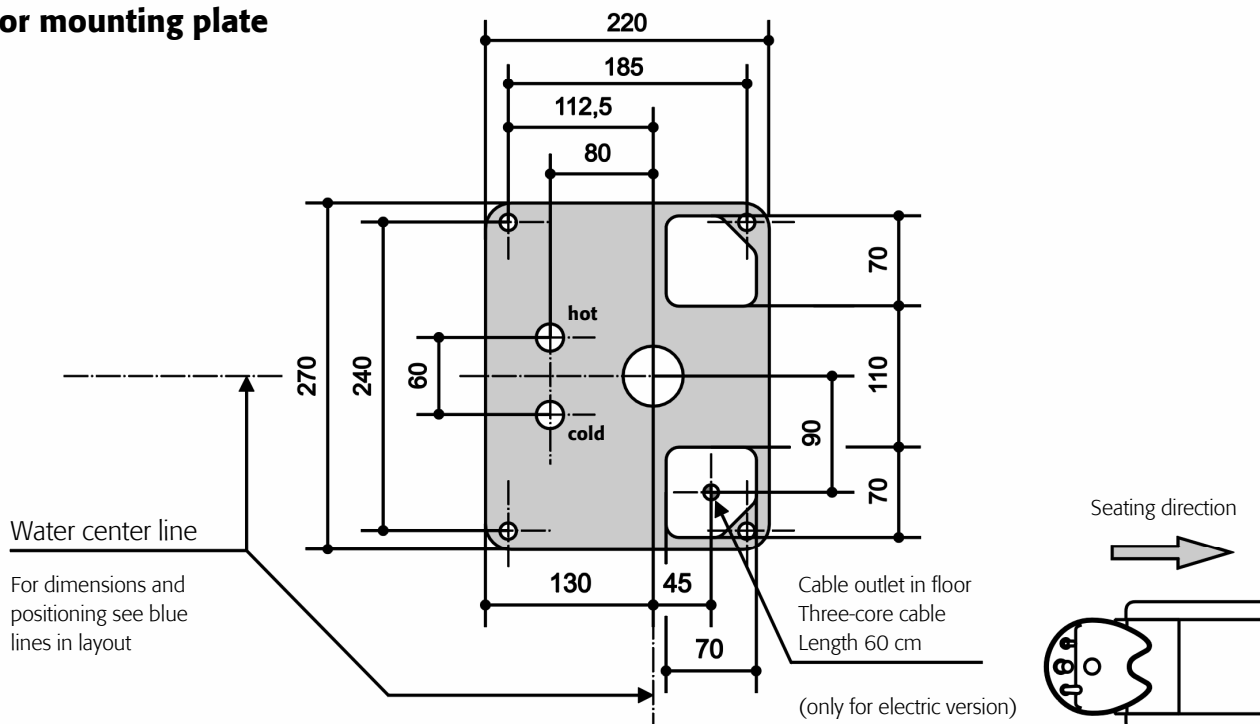
Floor attachments

Installation through floor

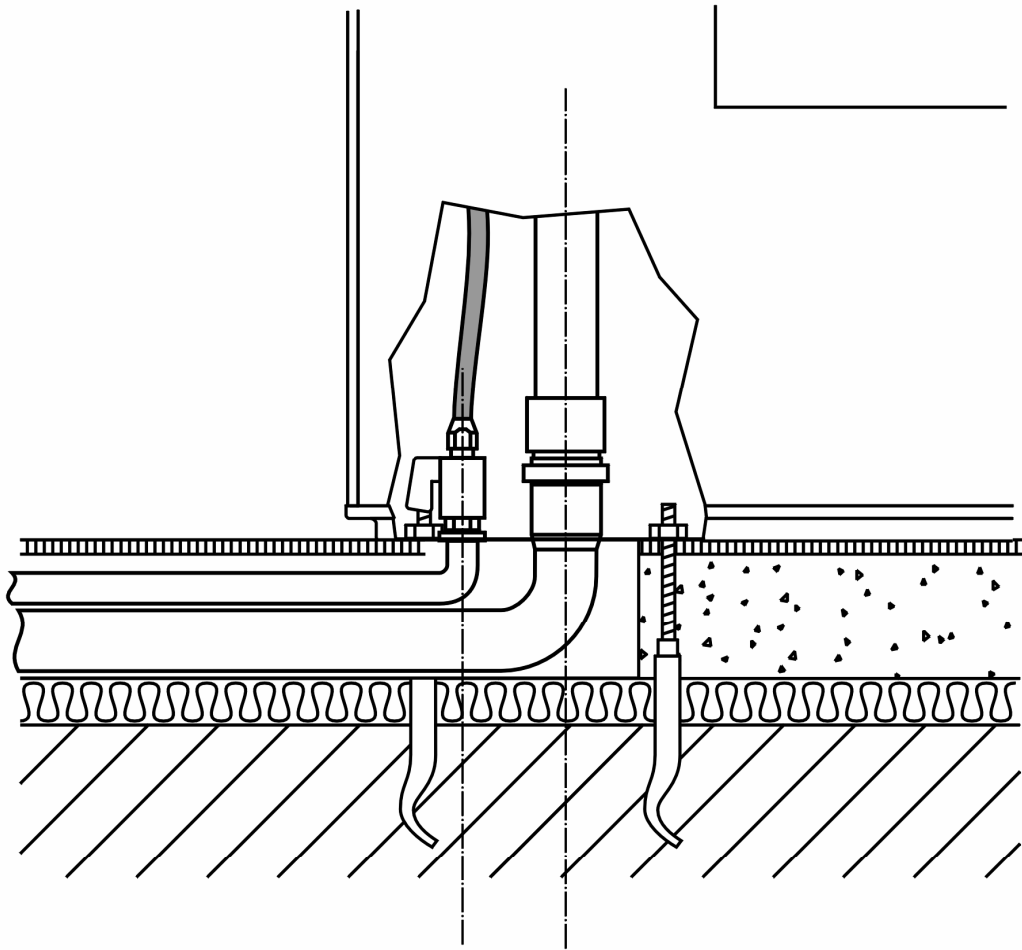


Dimensions

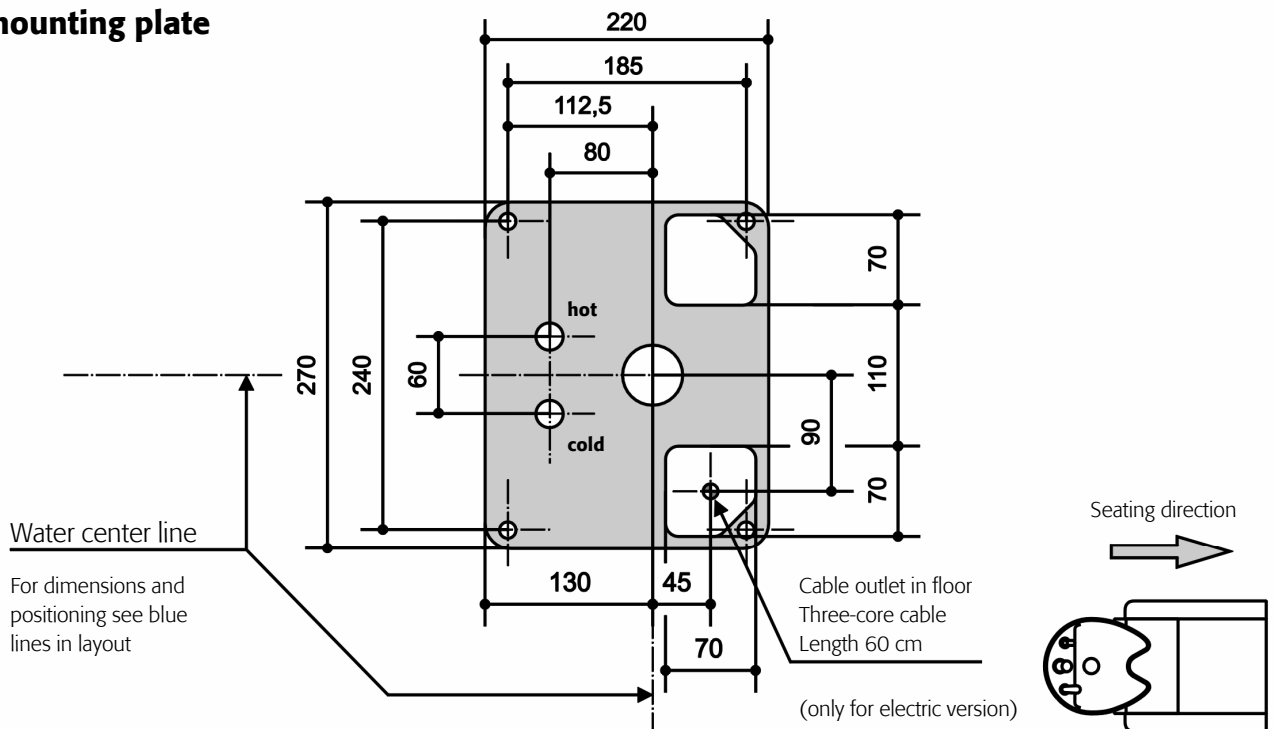
Floor mounting plate



Installation in floor



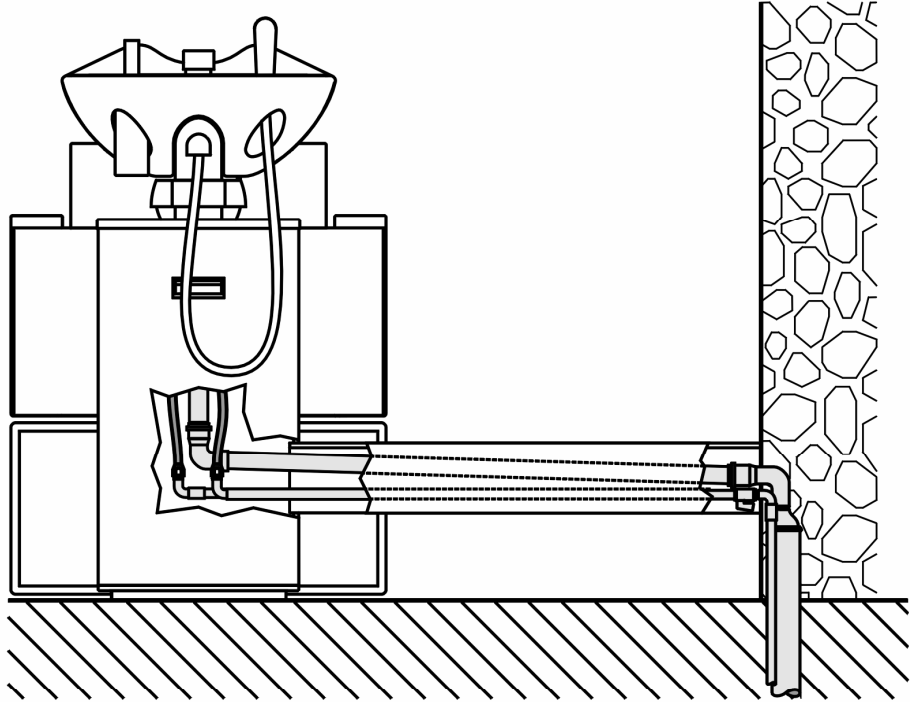
Dimensions Floor mounting plate



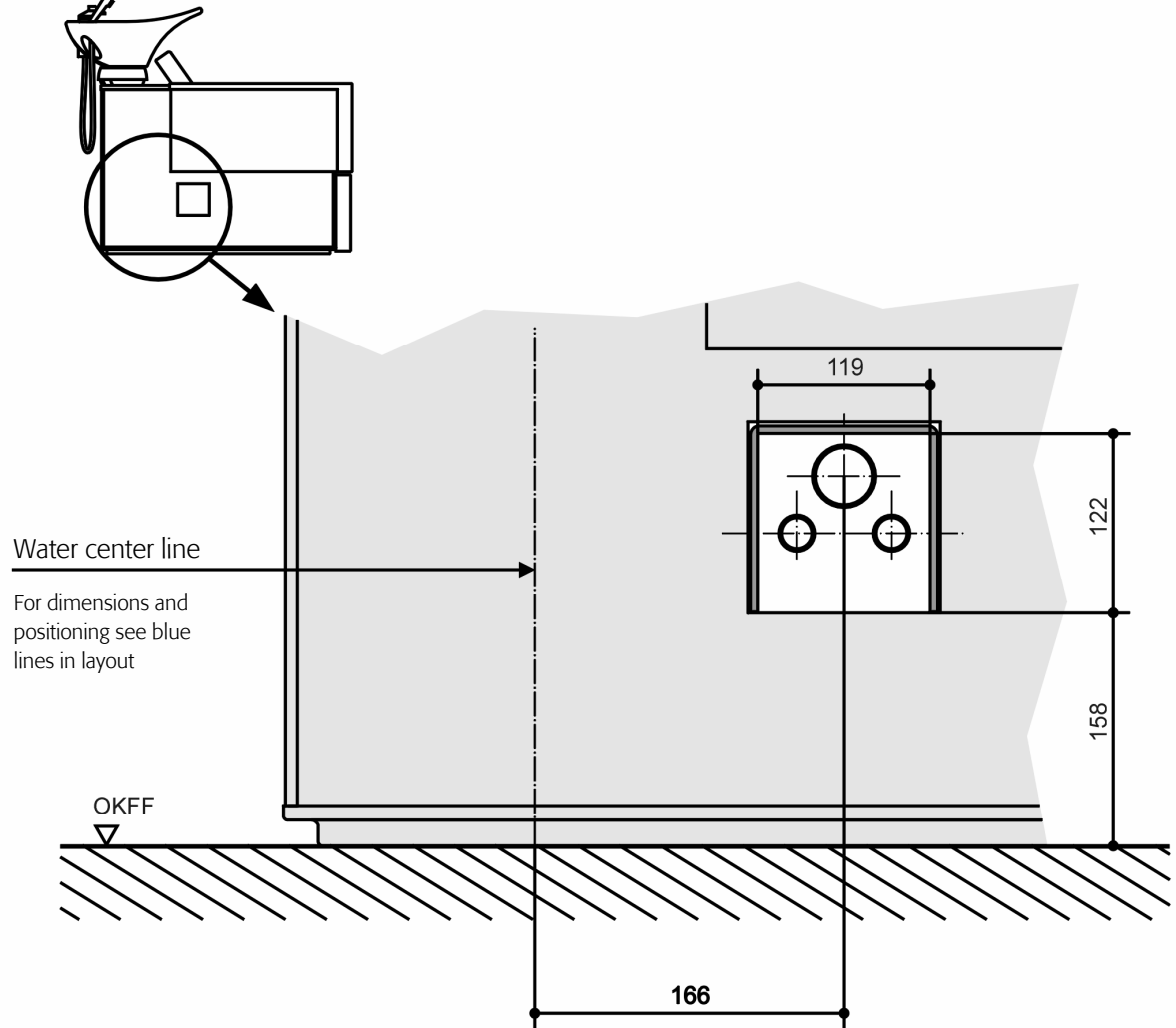
(figures in mm)

Wall attachment

Unit wall mounting



Ducting cut-out dimensions



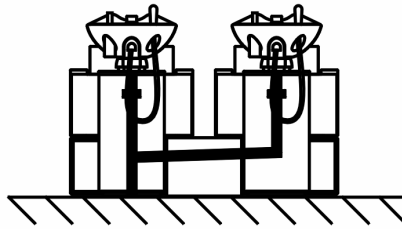
Water center line
For dimensions and positioning see blue lines in layout

(figures in mm)

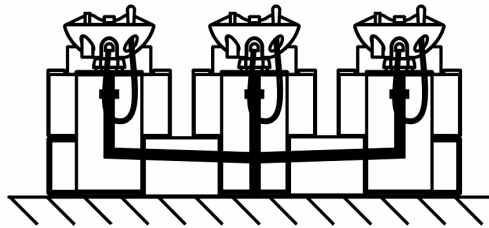
Interconnection of multiple units

Floor attachments (max. 5 possible with drain in middle)

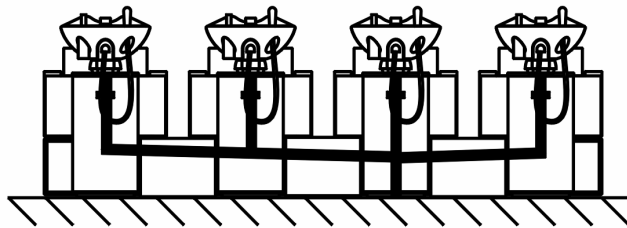
Two backwash units
with floor attachment via link unit



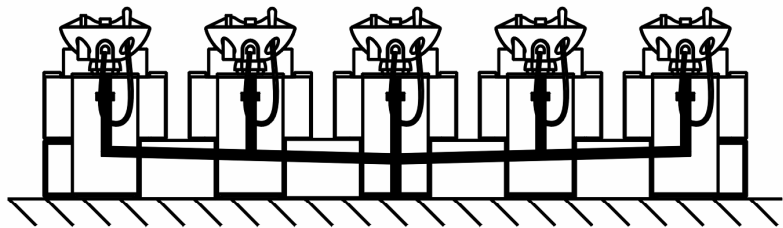
Three backwash units
with floor attachment via link units



Four backwash units
with floor attachment via link units

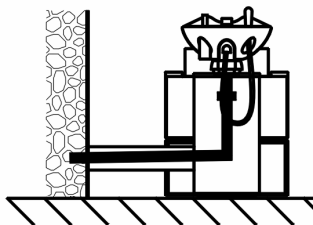


Five backwash units
with floor attachment via link units

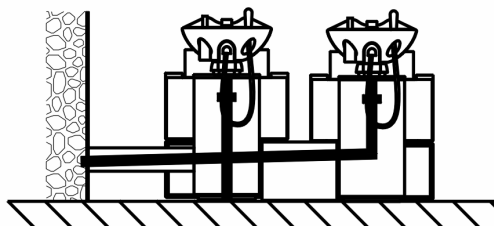


Wall attachments (max. 2 possible)

One backwash unit
with wall attachment through ducting



Two backwash units
with wall attachment through ducting, via link unit



Dimensions

COMFORT WASH backwash unit

