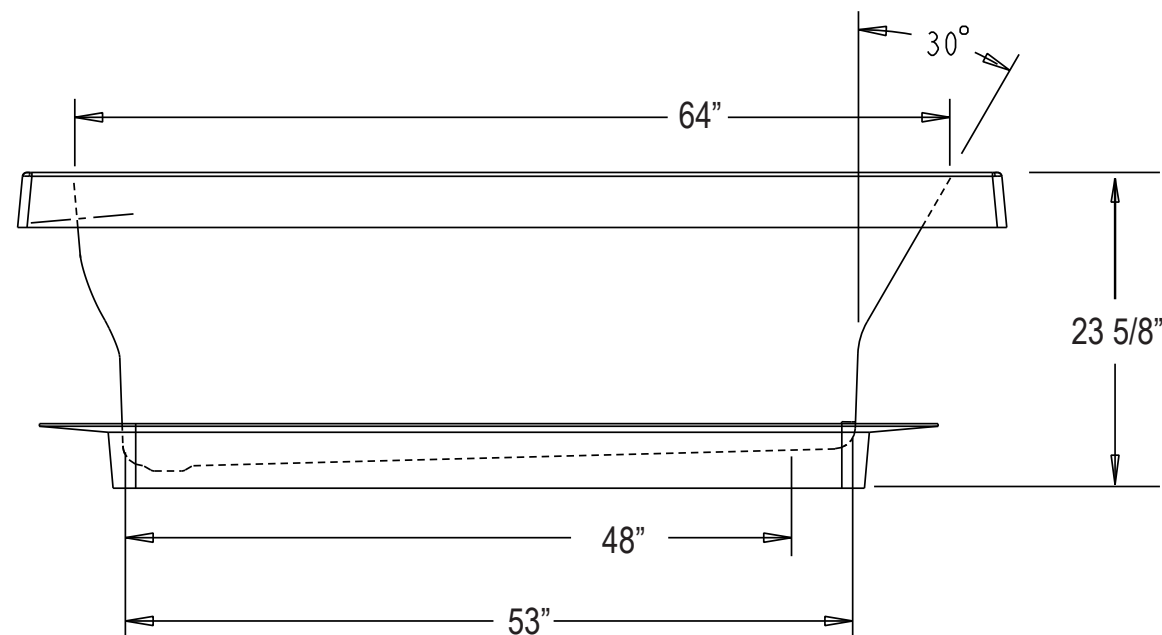
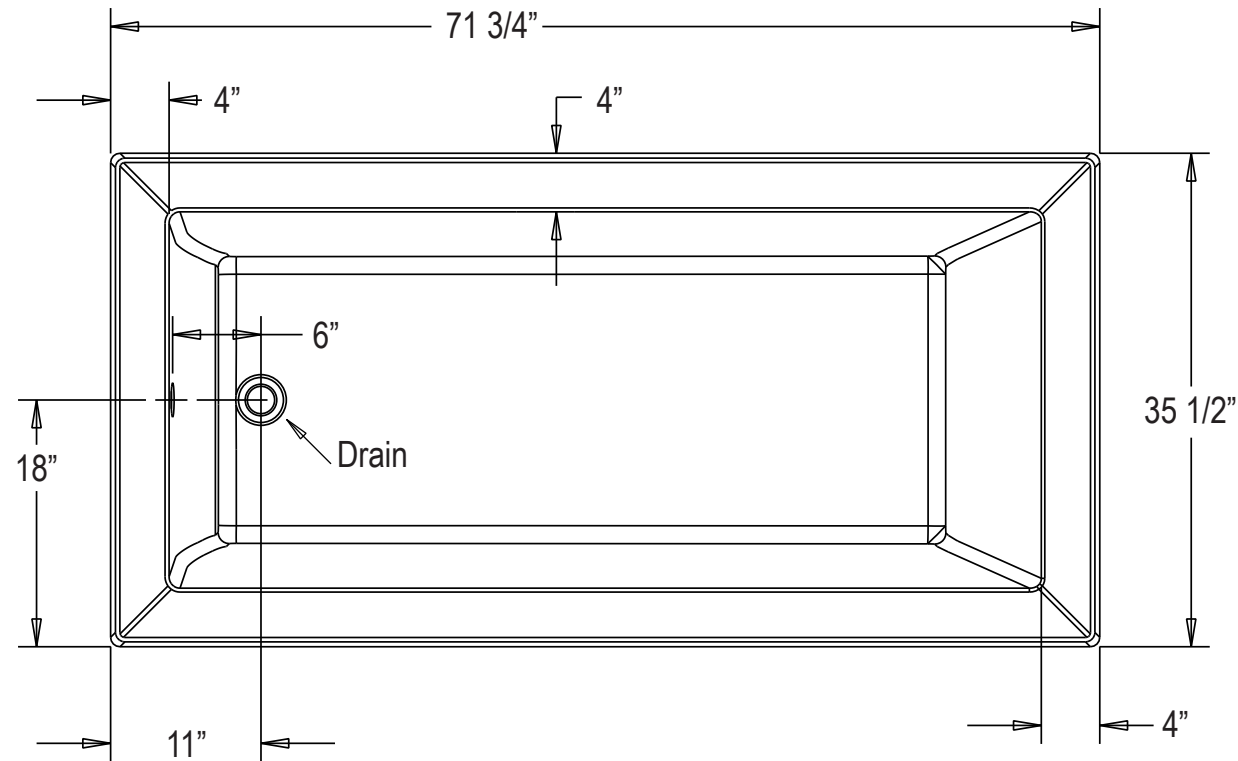


# CIERRA

## PIPELESS™ SPA BATH SPECIFICATION INFORMATION



**General Dimensions:**  
 Length 71 3/4", Width 35 1/2",  
 Height 25 5/8"

**Material Construction:**  
 Structurally reinforced cast acrylic

**Installation Types:**  
 Self-rimming, Undermount,  
 Three Wall Alcove

**Primary Bath Design:**  
 1 - person

**Operational Systems:**  
 8 - Jet multi-function system  
 6 - Jet multi-function system

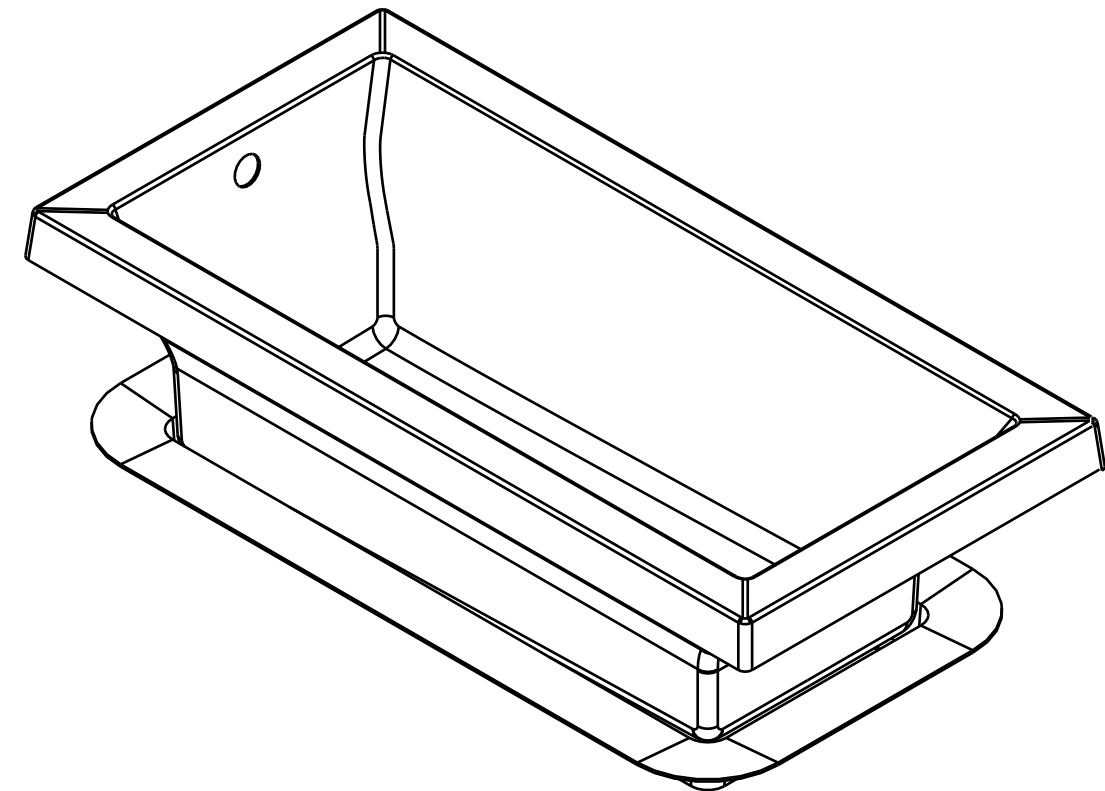
**Plumbing Requirements:**  
 Incoming water: 3/4" N.P.T.  
 Outgoing water/drain diameter: 1 1/2" OD  
 Maximum water pressure: 125 PSI

**Drain Location:**  
 End

**Electrical Requirements:**  
 Two 120 Volt, 15 amp dedicated circuits,  
 GFCI protected

**Electrical Connection:**  
 Hard wire

**Notes:**  
 Actual measurements may vary slightly.  
 Service access panel may be required due to local codes.  
 Specifications are subject to change without notice.



**SANIJET®**  
 PIPELESS HYDROTHERAPY

SANIJET Headquarters & Showroom  
 1461 S. Beltline Rd., Suite 100  
 Coppell (Dallas), Texas 75019

Telephone: (972) 745-2283 • Toll-Free: (888) 458-6217

Fax: (972) 745-2285

sanijet.com