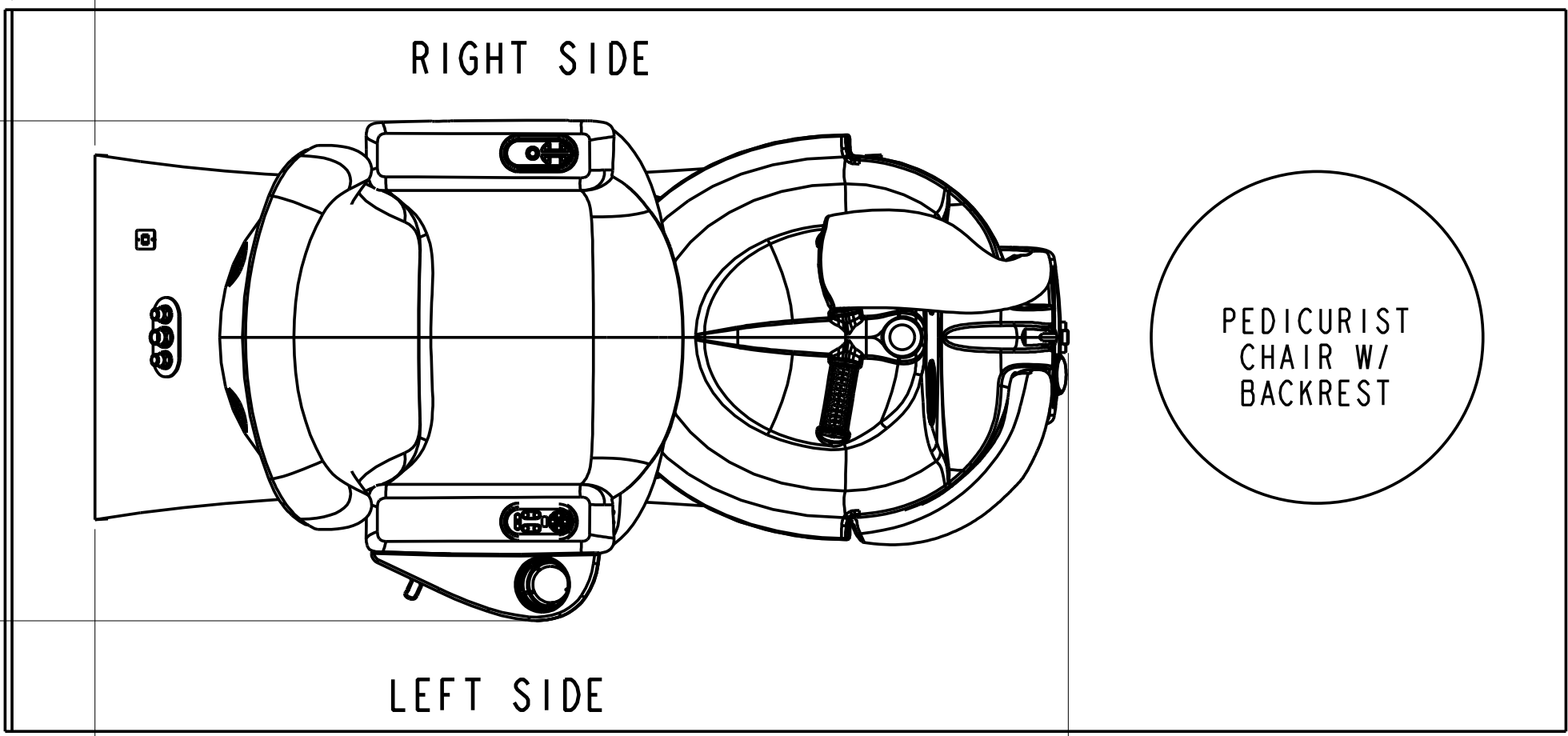


6.00 FROM WALL
[15,2]

36.16
[91,8] BACK

8.00
[20,3]

70.41
[178,8]

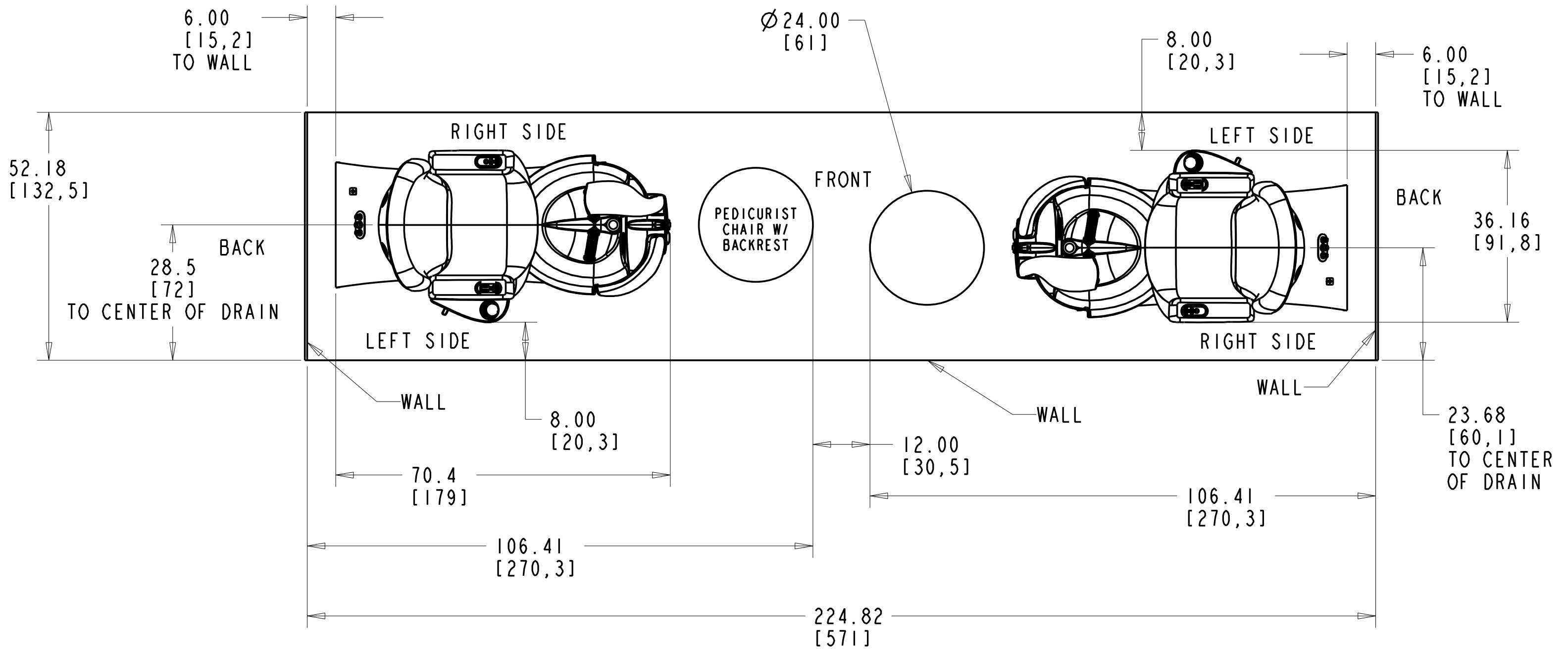


NOTE: VERY IMPORTANT
FOR GRAVITY DRAIN INSTALLATIONS,
REFER TO PLUMBING ROUGH-IN
DRAWING AND INSTALLATION
INSTRUCTIONS

LEGEND:
UPPER DIMENSIONS ARE IN INCHES
LOWER DIMENSIONS [] ARE IN CENTIMETERS

(MARCH, 2008)

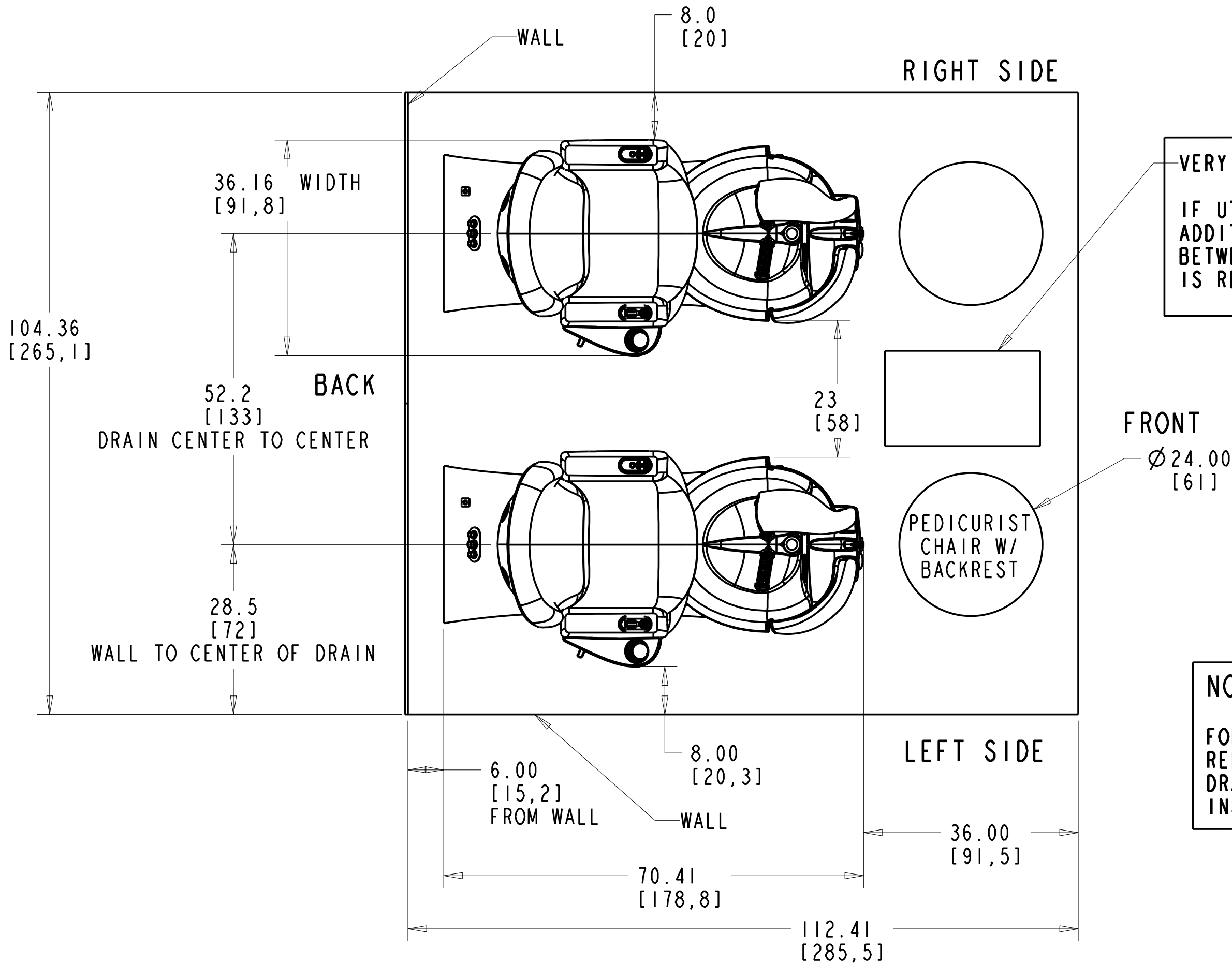
CONTINUUM FOOTSPAS
MODEL: THE MAESTRO™
PH - 877-255-3030
WWW.CONTINUUMFOOTSPAS.COM



NOTE: VERY IMPORTANT
 FOR GRAVITY DRAIN INSTALLATIONS,
 REFER TO PLUMBING ROUGH-IN
 DRAWING AND INSTALLATION
 INSTRUCTIONS

LEGEND:
 UPPER DIMENSIONS ARE IN INCHES
 LOWER DIMENSIONS [] ARE IN CENTIMETERS

(MARCH, 2008)
 CONTINUUM FOOTSPAS
 MODEL: THE MAESTRO™
 PH - 877-255-3030
 WWW.CONTINUUMFOOTSPAS.COM

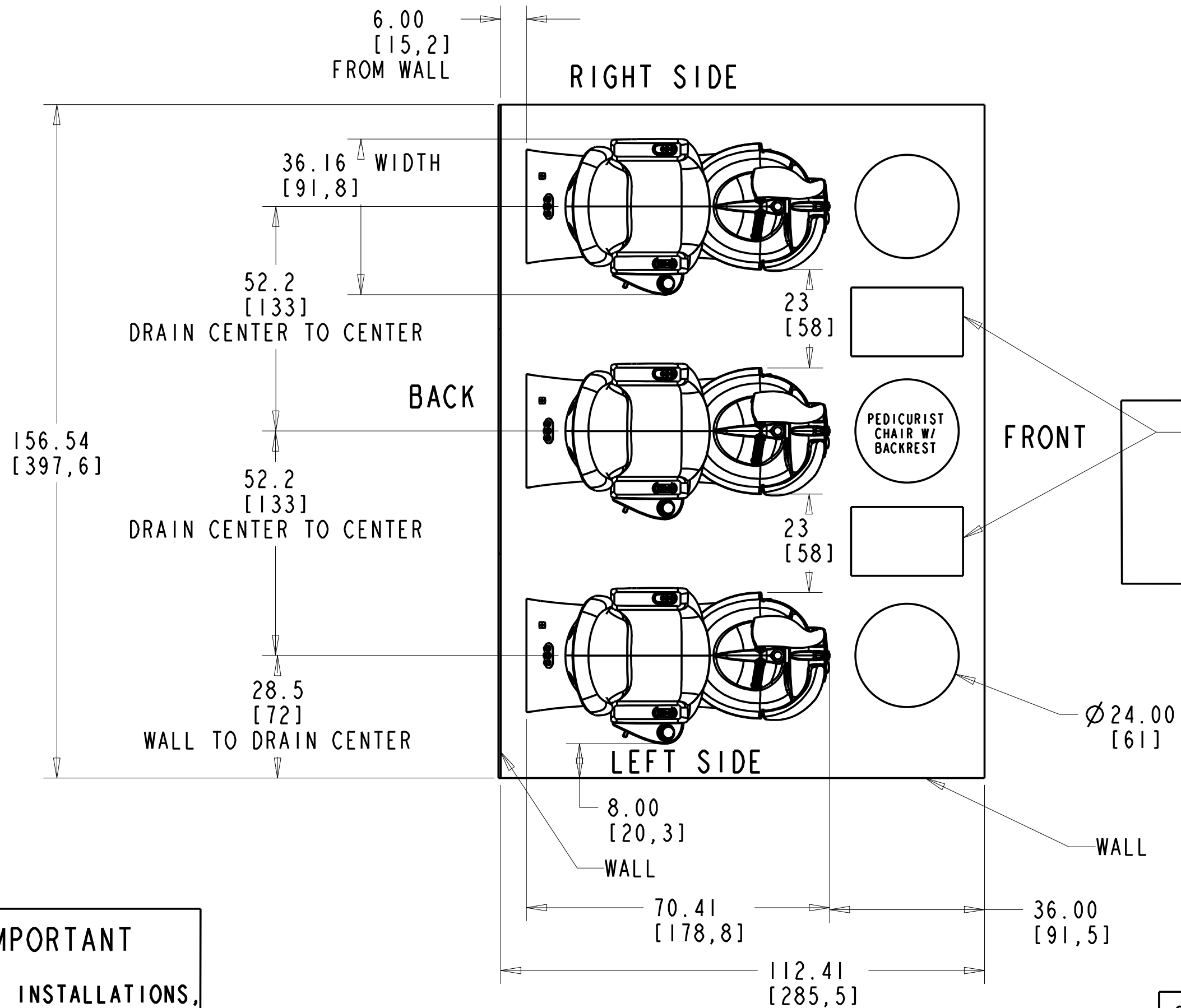


VERY IMPORTANT:
 IF UTILIZING A CART, AN
 ADDITIONAL 10" (25.4 CM)
 BETWEEN EACH FOOT SPA
 IS RECOMMENDED

NOTE: VERY IMPORTANT
 FOR GRAVITY DRAIN INSTALLATIONS,
 REFER TO PLUMBING ROUGH-IN
 DRAWING AND INSTALLATION
 INSTRUCTIONS

(MARCH, 2008)
 CONTINUUM FOOTSPAS
 MODEL: THE MAESTRO™
 PH - 877-255-3030
 WWW.CONTINUUMFOOTSPAS.COM

LEGEND:
 UPPER DIMENSIONS ARE IN INCHES
 LOWER DIMENSIONS [] ARE IN CENTIMETERS



VERY IMPORTANT:
 IF UTILIZING CART, AN
 ADDITIONAL 10" (25.4 CM)
 BETWEEN EACH FOOT SPA
 IS RECOMMENDED

NOTE: VERY IMPORTANT
 FOR GRAVITY DRAIN INSTALLATIONS,
 REFER TO PLUMBING ROUGH-IN
 DRAWING AND INSTALLATION
 INSTRUCTIONS

LEGEND:
 UPPER DIMENSIONS ARE IN INCHES
 LOWER DIMENSIONS [] ARE IN CENTIMETERS

(MARCH, 2008)

CONTINUUM FOOTSPAS
 MODEL: THE MAESTRO™
 PH - 877-255-3030
 WWW.CONTINUUMFOOTSPAS.COM