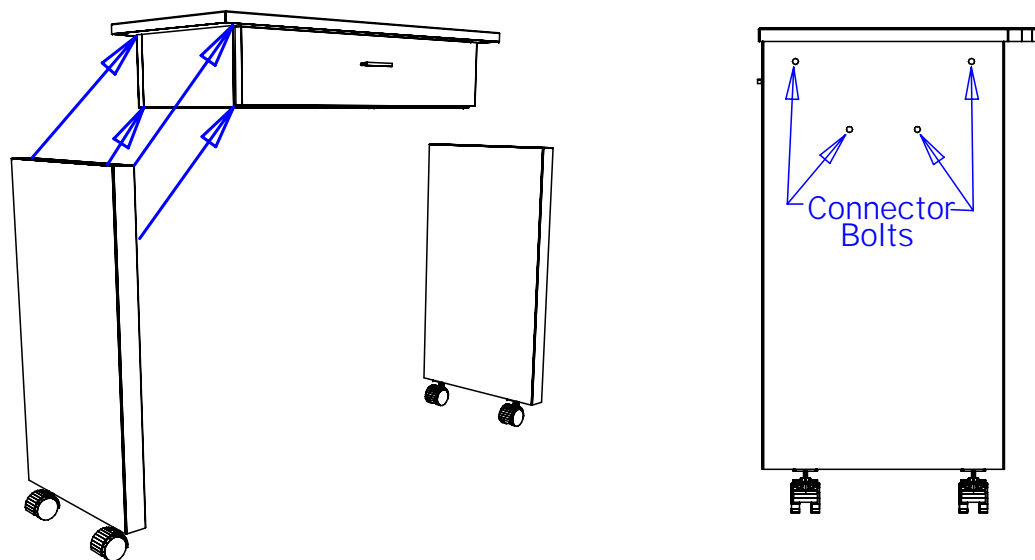



Adjacent cabinets and components should be assembled by fastening through the interior panels with the screws or bolts provided. Tighten securely.

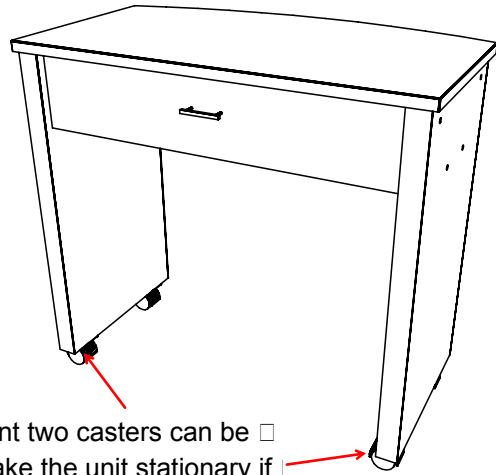


Quantity - 1

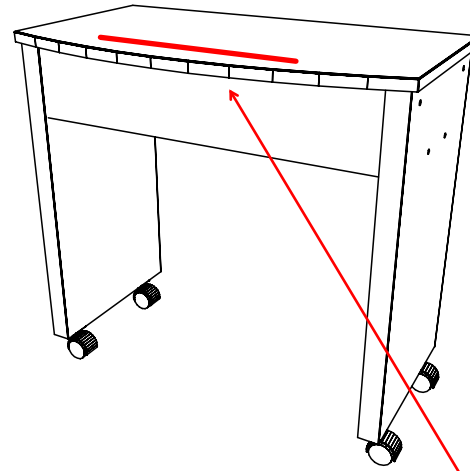
Finish Schedule - 517-32-3
Face Color - Wild Cherry
Top Color - Deepstar Slate 1818-35
Toe Color - Black
Pulls - Soho Pulls
Interior -
Other (Specify) -

General Notes:
1. All counter tops are to be made removable wherever possible.
2. Items must be broken into manageable sections For Shipping. Mark For Ease Of Reassembly.
3. Install Shipping Cleats Wherever Possible To Prevent Shipping Damage.
4. Purchased items Must Be Trial Fit Before Shipping.

 Collins Manufacturing 2000 Bowser Rd. Cookeville TN 38506	
Title: Aerial Company @ New Berlin	
Size:	#: 61104
Date: 03/20/07	Drawn By: David
	Sheet #: 4

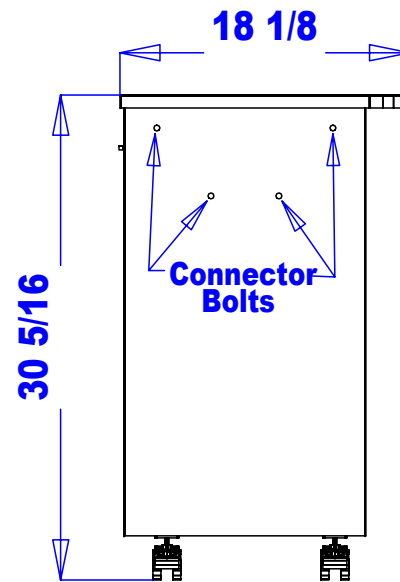
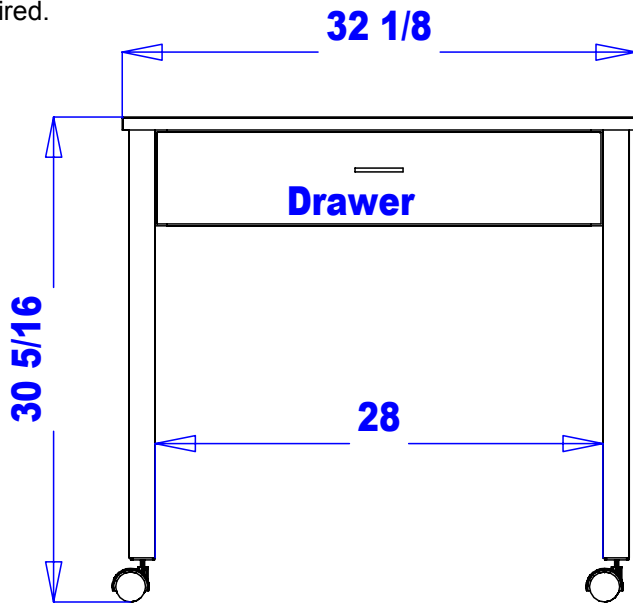


NOTE: Front two casters can be locked to make the unit stationary if desired.



INSTALLATION INSTRUCTIONS

1. Flip all knobs/pulls from inside cabinet to outside, reference diagram 1.
2. If desired, remove film from velcro, stick velcro in location shown to left, attach wrist pad to table using velcro.
3. Attach lamp, reference instructions provided with lamp for details.



Quantity -

Finish Schedule

Face Color -
 Top Color -
 Toe Color -
 Pulls -
 Interior -
 Other (Specify) -

Installation Notes:

1. All hardware needed for assembly is included.
2. Large items are preassembled at the factory to ensure proper alignment. Items are then disassembled into manageable sections for shipping purposes and ease of reassembly.
3. Shipping cleats need to be removed before installation. These cleats are installed to prevent damage.

This drawing is the property of Collins Manufacturing Company and is protected under copyright law.

collins		Collins Manufacturing 2000 Bowser Rd. Cookeville TN 38506	
Title: QSE Petite Nail Table			
Size:	#: 517-32	Drawn By:	
Date:	Sheet #: 3		