

Vanities

KALLISTA BACK-TO-BACK VANITY

KT108-D, KT108-2-D KALLISTA BACK-TO-BACK VANITY INSTALLATION INSTRUCTIONS

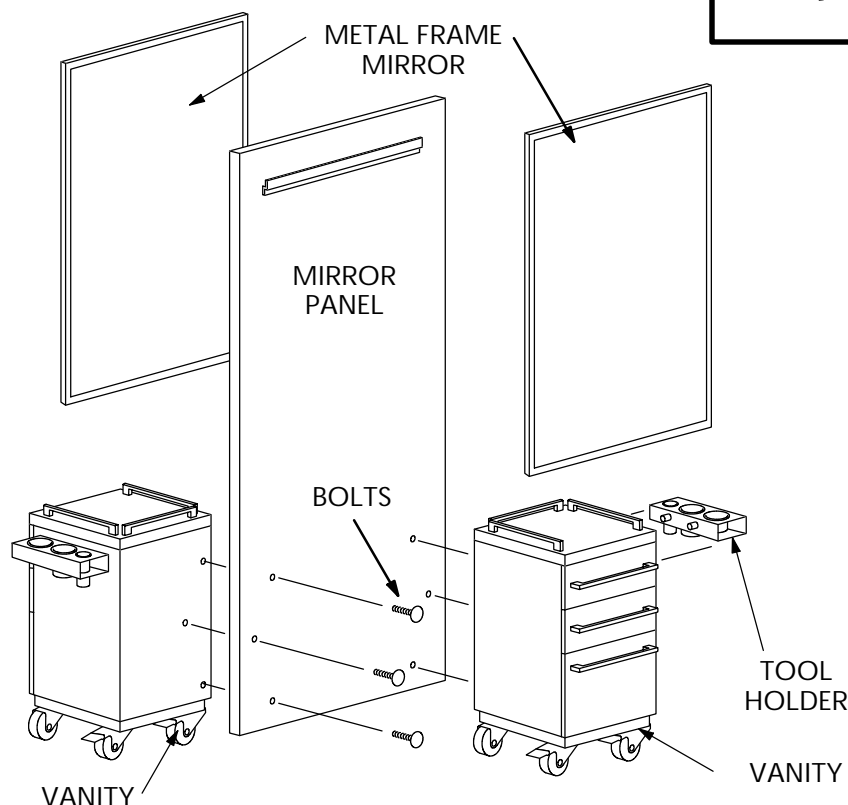
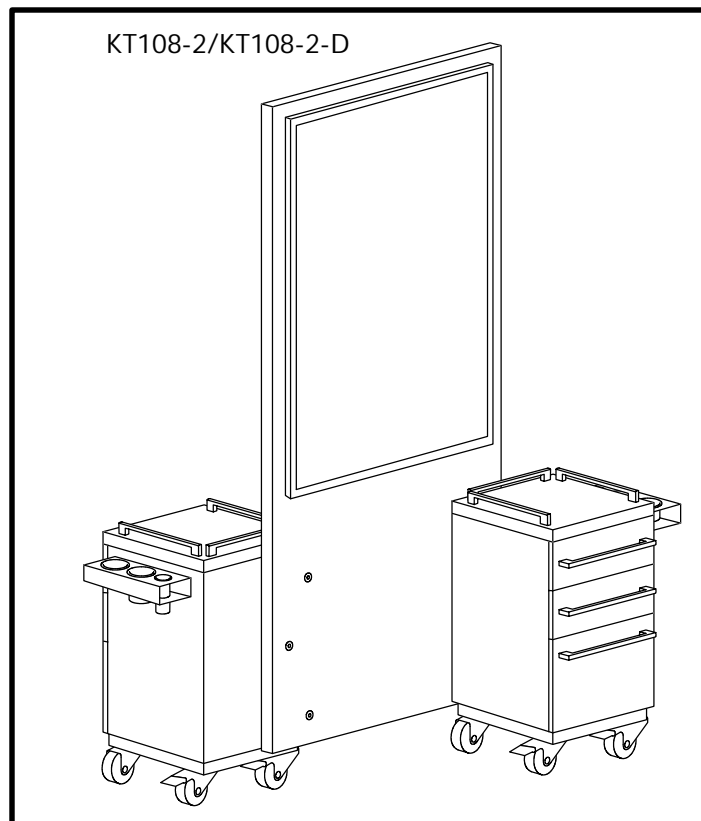
IMPORTANT NOTES:

Read through the instructions before you begin. Cabinetry is heavy. Move and handle carefully. You will need a helper.

Any conformity with LOCAL CODES or INSPECTIONS is the RESPONSIBILITY OF THE PURCHASER.

To assemble the Vanity:

1. Locate the 6 decorative Shoulder Bolts.
Note: These bolts require a 5mm Allen, (hex) wrench.
2. Align the holes in the mirror Panel with the mounting holes in the backs of the Vanities.
3. Fasten the Mirror Panel in place with 6 Shoulder Bolts, 3 per Vanity.



4. Locate the 2 Metal Framed Mirrors and hang them on the metal cleats on the Mirror Panels.
5. Be certain that the Mirror is centered on the Panel. Remove the protective peel-coat from the 2-Sided tape on the back of the Mirror. Press the bottom of the Mirror Frame back against the Panel.
6. Remove the Drawers from each Vanity.
7. Attach the Tool Holder to the right hand side of each Vanity with the bolts provided.
8. Reinstall the drawers.

Belvedere USA Corporation

A Wholly Owned Subsidiary of Wella Corporation
One Belvedere Boulevard, Belvedere, Illinois 61008
Printed in U.S.A. 4001047 7-02

belvedere[®]