

**Your SpaJet will not ship from Sybaritic until this document is signed & dated by purchaser only and e-mailed back to [customerservice@sybaritic.com](mailto:customerservice@sybaritic.com)**

## **SpaJet Delivery and Installation Guidelines**

This document is presented to help insure a smooth installation of your new SpaJet. If you are using a general contractor, it is important that they get a copy of this document and that they pass the electrical requirements portion of this document to your licensed electrician and the plumbing portion of this document to your licensed plumber. Sybaritic is not liable for incorrect or inadequate plumbing or electrical work, and either may cause your warranty to be voided.

### General 3-step Process

- 1) Delivery of SpaJet to your facility arranged through Sybaritic
- 2) All required Plumbing and Electrical connections completed by you and your designated licensed electrician and plumber.
- 3) Once all Plumbing and Electrical connections are finished, you should contact Matt Makousky at Sybaritic, 952-703-5396. Sybaritic will then arrange for a 3rd party technician to attach the hood and run the SpaJet through a test session to ensure proper operation on the agreed upon date.

Note: Most Sybaritic arranged 3rd party technician's are not licensed electricians or plumbers. They are not responsible for performing any electrical or plumbing services for the Spa-Jet. The only functions the Sybaritic arranged technician will perform are attaching the hood to the base of the unit, setting the unit on it's pedestals, and running the unit through a test session to ensure it is operating properly.

## **Shipping, Storing and Installation Conditions**

This unit is designed for permanent indoor installation with the following conditions:

Temperature of the room: +59 to +86 degrees Fahrenheit (+15 - +30 degrees Celsius), Relative humidity max 85%

Shipping conditions: Temperature – 4 to +104 (- 20 to +40 degrees Celsius).

Storage conditions: Temperature – 4 to +104 (- 20 to +40 degrees Celsius).

Relative humidity max 95%.

WHEN RECEIVING A SHIPMENT IN WINTER CONDITIONS (transportation temperature below 32 degrees Fahrenheit [0 degrees Celsius], THE UNIT MUST BE STORED AT ROOM TEMPERATURE (conditions +59 to +86 degrees Fahrenheit [+15 - +30 degrees Celsius], relative humidity max. 95%), FOR 24 HOURS BEFORE INSTALLATION AND OPERATION OF THE UNIT. INSTALLING AND OPERATING THE UNIT PREMATURELY WITHOUT 24 HOUR WARMING PERIOD WILL RESULT IN SERIOUS DAMAGE TO THE ELECTRONICS OF THE UNIT.

The Unit must be installed on an even, dry, solid floor surface and leveled.

The floor must have a central floor drain for the drainage of the bed (See "Plumbing Requirements Section of this document) AND an emergency floor drain in order to avoid flooding (in case of plumbing failure).

## **Delivery Process**

Delivery of your SpaJet has been contracted to a local delivery agent. Delivery will be performed by a 2-man team. The delivery team is responsible for inside delivery that includes uncrating, complete unwrapping of the unit, disposing of any packaging, and moving the equipment into your desired first-floor treatment room. Again the delivery team is responsible for...

\*Uncrating your SpaJet

\*Completely removing all plastic wrap and other packing material and removing it from the site.

\*Moving the Spa-Oceana into the first floor treatment room of your choice.

It is your responsibility to supervise the delivery and insure the delivery team completes these tasks. You should also inspect the equipment to insure there is no damage to the unit and that all accessories and supplies have been included in the shipment prior to the delivery team leaving your location.

## **SpaJet Electrical Requirements**

**\*\*Please give these requirements to your Licensed Electrician\*\***

Please note that in presale or showroom locations where the SpaJet will be used as a non-working display, there are no electrical requirements.

Only a licensed electrician is authorized to make the electrical connections for this unit according to all local electrical installation requirements. All local and national electrical installation requirements and loading value for single phase must be observed when carrying out the hard-wired electrical installation connections. All electrical work from the buildings electrical power panel to the SpaJet electrical breakers must be completed prior to the arrival of the installation technician.

If the electrical and plumbing connections have not been completed when the 3rd party Technician arranged by Sybaritic arrives, the technician will not be able to run the SpaJet through a test session to ensure proper operation. You will be responsible for a rescheduling fee of \$500.00 if electrical and plumbing connections are not complete when the Sybaritic arranged 3rd party Technician arrives and a return visit is required.

Power at the SpaJet breaker located inside the lower portion of the bed at the head end should be between 220 – 240 VAC. Optimal operation is between 230 & 240 VAC. Voltage must not exceed 240VAC. A buck booster should be installed if the power is below 230 VAC or above 240 VAC. Voltages below 220VAC and above 240VAC can damage the unit and void your warranty.

A buck booster is not included with your SpaJet purchase. They can be purchased at Grainger, 800-323-0620. The part number, at time of this writing, is 1H275. The buck booster should be installed after a service disconnect and before the unit's onboard breakers.

The Unit's power supply must be shut off prior to installation or any work being performed on the unit.

Caution: To prevent electrical shocks and fire hazards, do not use any other power source.

An entire circuit needs to be dedicated to the operation of the SpaJet system. Each individual SpaJet system should have its own dedicated circuit breaker. The current draw depends on the voltage and is rated at 13.41 amps for 220 volts when Radiant Heat and Steam are running.

The unit is designated for use in current circuits where either neutral conductor or a stationary protective conductor with equivalent potential is available – system TN-S. It is STRICTLY PROHIBITED to use the unit in alternating current circuits TT and IT.

Unit electrical specifications: 13A, 220V, 50/60Hz.

For electrical installation, the right hand side panel of the unit must be removed. Place the unit on a level surface.

Make sure the cover can be opened without hitting the ceiling. Check the Specifications section of the unit's Owner's Manual for more details of the dimensions.

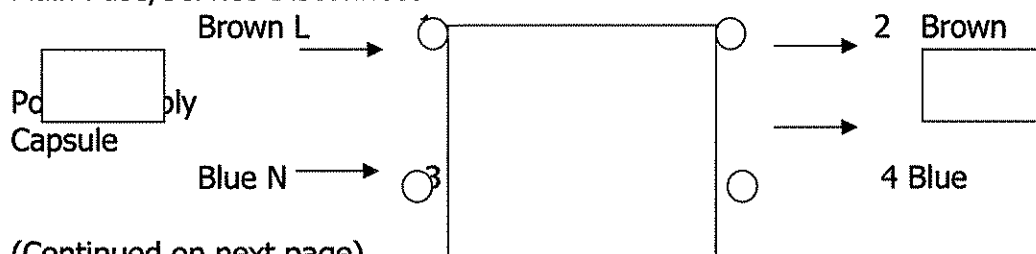
Do not install the unit near heat sources such as radiators, or in places subject to excessive dust, mechanical vibration, shock or heat.

Do not block the air inlet of the face fan located on top of the unit (hood).

If the unit is located in a cold location, the supporting hood struts may decrease pressure in the strut chambers which may cause the hood to drop sharply. The operating temperature range for the struts is from 50 to 180 degrees Fahrenheit or 15 to 80 degrees Celsius.

The unit must be connected to the electrical system stationary according to the following diagram:

Main Fuse/Service Disconnect



(Continued on next page)

## **SpaJet Plumbing Requirements**

The following information is to assist the licensed plumber in preparation for delivery and installation of the SpaJet.

Please note that in presale or showroom locations where the SpaJet will be used as a non-working display, there are no plumbing requirements.

Note: Only a licensed plumber is authorized to make the plumbing connections for this unit.

If the electrical and plumbing connections have not been completed when the 3rd party Technician arranged by Sybaritic arrives, the technician will not be able to run the Spa-Oceana through a test session to ensure proper operation. You will be responsible for a rescheduling fee of \$500.00 if electrical and plumbing connections are not complete when Sybaritic arranged 3rd party technician arrives and a return visit is required to complete installation.

The unit's power supply must be shut off prior to installation and/or any work is performed on the unit.

For plumbing installation, the right hand side panel of the unit must be carefully removed. After the installation the side panel must be reinstalled before operating the unit.

Minimum allowed water pressure is 1.5 bars (21.7 psi) and maximum allowed water pressure is 4 bars (58 psi)

Pressure difference between cold and hot water supply must not exceed 2 bars ((29 psi).

For normal over-body jet operation, the cold water must be between +50 to +59 degrees Fahrenheit (+10 - +15 degrees Celsius) and the hot water between +122 to +140 degrees Fahrenheit (+5 - +60 degrees Celsius).

Cold water supplying the steam generator must have measured water hardness below 71ppm USA (<4PH German); if the water supply is harder, a water softener must be installed for the steam generator.

The water supply for this unit must be mechanically cleaned/filtered in order to avoid damage to the unit's subparts; non soluble, solid elements in the water supply must be less than 50 microns. In order to guarantee that, it is necessary to install mechanical water filters (50 micron filtering). Filters must have a flow rate of 2.5 gallons (9.5 liters) per minute.

All other water supply characteristics must meet the local drinking water requirements.

**BOTH THE HOT AND COLD WATER SUPPLY MUST HAVE SHUTOFF (OPEN/CLOSE) VALVES THAT WOULD ENABLE REGULAR EASY OPENING AND CLOSING OF THE VALVES.**

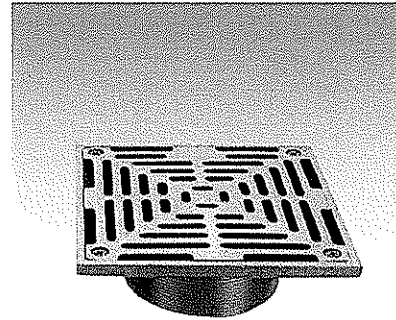
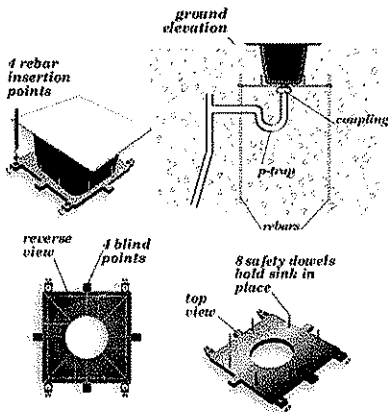
**IN ORDER TO AVOID WATER SUPPLY PIPE BURSTS AND OR FLOODING, THIS UNIT MUST BE PROTECTED WITH COLD AND HOT WATER SHUTOFF VALVES. SHUTOFF VALVES ENABLE THE OPERATOR TO CUT OFF THE WATER SUPPLY WHEN THE UNIT IS NOT BEING OPERATED. THIS UNIT MUST NOT BE CONNECTED TO THE WATER PRESSURE CONTINUOUSLY; THE WATER SUPPLY MUST BE CUT OFF AT ALL TIMES WHEN THE UNIT IS NOT IN USE.**

1/2" Hot and cold lines should come from the floor or wall to the area where the unit is to be placed. Connect then to the 1/2" male connections on the thermostatic mixing valve on the right side of the unit.

Insure that the water lines are purged of sand and grit prior to the final connection to the unit.

(Continued on next page)

The capsule's 1½" (40mm) O.D. drain line should SPILL into a floor sink or floor drain. THERE SHOULD BE AN AIR GAP BETWEEN THE DRAIN LINE AND THE FLOOR SINK or FLOOR DRAIN.



This is a floor sink

This is a floor drain

SpaJet system has a steam/shower system that utilizes approximately 42 gallons (160 liters) of water per 30 minute session. Assume 30 gallons (110 Liters) of this is to be hot water. Based on the expected number of sessions daily, an appropriate hot water supply needs to be installed. Maximum hot water usage of unit is 40 gallons (150 liters)

The unit has a working capacity of approximately 60 gallons (220 liters) assuming a 50/50 mix of hot and cold water, this equates to approximately 30 gallons (110 liters) of hot water per unit session. The steam shower system and the unit are used as separate sessions.

(Continued on next page)

	Requirements
Hot and cold water supply	<p>1/2" Hot &amp; cold lines should come from the floor or wall to the area where the unit is to be placed.</p> <p>Hot &amp; cold water supply lines are to be connected to the 3/4 " male connections on the thermostatic mixing valve on the right side of the unit.</p> <p>Water shut off valves should be in an accessible location that they can be shut off when not in use.</p> <p>A 2" (50mm) clearance between the capsule chassis and the floor is allowed for in the capsule design. The clearance allows for the correct routing of the water supply lines and drain line. No metal pipe or fittings must contact the tubes of the metal framework.</p> <p>Ensure that the water lines are purged of sand and grit prior to final connection to the unit.</p> <p>It is required that 1/2" thru-flow in-line serviceable water filters be installed.</p> <p>Hot and cold water lines must be of equal pressure</p>
Operating hot water supply	<p>An operating hot water supply temperature of between 122°F (50°C) and 140°F (60°C) is required.</p>
Water drain – 50mm (2")	<p>A 50mm (or more) drain/floor sink should be located as shown in floor plan provided.</p> <p>The capsules 40mm (1.5") O.D. drain should be spilled directly or indirectly into the drain/floor sink. There should be NO PHYSICAL CONNECTION between the drain on the unit and the floor sink/drain.</p> <p>An additional floor drain is recommended in the room for drainage of the floor in the event of future flooding occurs.</p>
Operating pressure	<p>An operating max water pressure 4 bars.</p> <p>For optimum shower performance a pressure of approximately 2-4 bars is recommended.</p>
Water consumption	<p>The SpaJet has a steam/shower system that utilizes approximately 42 gallons (160 liters) of water per 30-minute shower treatment.</p> <p>Assume 30 gallons (110 liters) of this to be hot water.</p> <p>Based upon the expected number of treatments daily an appropriate hot water supply needs to be installed.</p>



## **Installation by Sybaritic arranged 3rd party Technician**

The installation of your SpaJet cannot be completed unless all of the above electrical and plumbing requirements have been met prior to the arrival of the Sybaritic arranged 3rd party Technician. The only exception to this would be the installation as a non-operational unit in a presale location where the unit is set up for display purposes only. If used as a display only unit, the owner is responsible to pay an additional installation fee of \$500 for the permanent installation. This is required to verify voltage and proper operation to validate the warranty.

The Sybaritic arranged 3rd party Technician is responsible to complete the following tasks only:

\*Attach the hood and make all of the necessary connections between the hood and the electronic components.

\*Run a test session to ensure the proper operation of the unit.

\*Complete the Sybaritic Installation Report and return it to Sybaritic

If the Sybaritic arranged 3rd party Technician arrives onsite and your facility does not have the proper plumbing or electrical connections available or that the supplied electrical service is not between the 220-240VAC operating range at the time of the installation he will report that the site is not prepared for the installation as scheduled and you will incur a \$500.00 rescheduling charge per unit.

If the Sybaritic arranged 3rd party Technician is made responsible for completing any tasks other than the installation tasks listed above, or is made to wait more than 30 minutes to begin his work, an additional service fee will be charged to you.

If you have any questions or concerns regarding the delivery of your Spa-Oceana please contact Lisa Bliven at Sybaritic, 1-800-445-8418 Ext. 368.

If you have any questions or concerns regarding the installation of your Spa-Oceana, please contact Matt Makousky at Sybaritic, 952-703-5396.

Thank you for your cooperation.

By my signature below, I agree to the terms and conditions as outlined above. I understand that my SpaJet will not be shipped from Sybaritic, Inc. until this document is signed and e-mailed to customerservice@sybaritic.com

---

Name of Business

---

Signature of Owner of Business

---

Date

---

Printed Name of Owner of Business

## SECTION 5: TECHNICAL SPECIFICATIONS

### 5.1 Technical Specifications

Dimensions	
Length	220 cm (see also pg 16)
Width	90 cm
Height	105 cm (220 cm when hood is opened)
Weight	160 kg

Materials	
Body	Sanitary cast acrylic
Vibratory Bed	Polyurethane (green)
Pillow	Polyurethane (green)

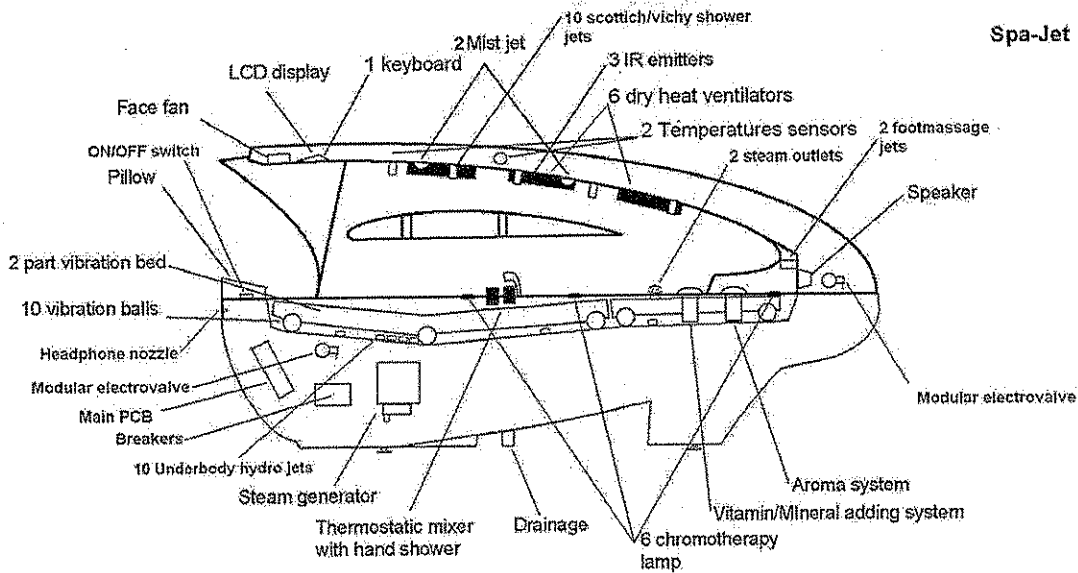
Water	
Drain connection	40 mm
Water inlet	G ½"
Required water pressure	1,5...4 bar

Electrical appliances	
Voltage	230 V
Amperage	13 A
Frequency	50/60 Hz

Tub appliances	
Hand shower	1
Vichy massage jets	10
Foot massage jets	2
Bottom massage jets	10
Tropical rain jets	2

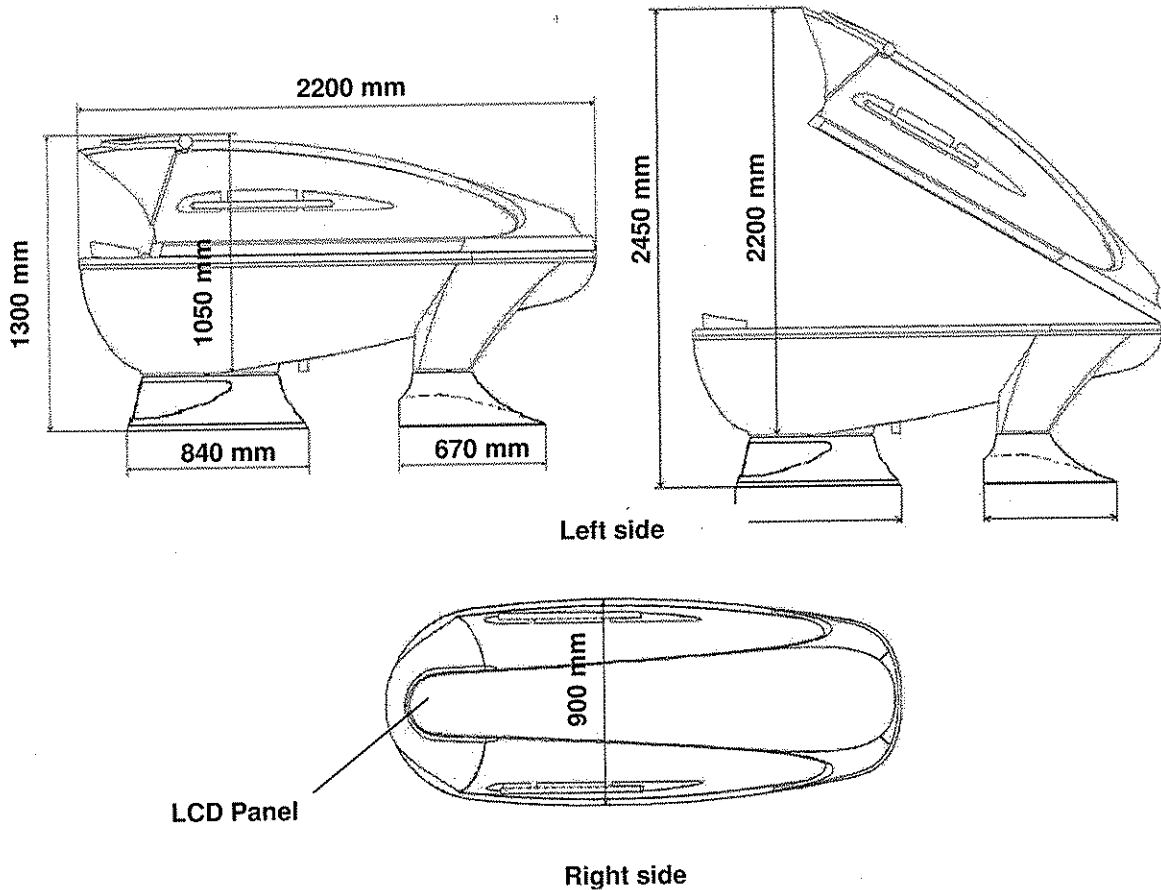
Additional appliances	
Massage/shower programs	10 Preset + 1 Custom Program
Steam generator	1
Infrared heater	3
Infrared heater ventilators	6
5,6" LCD display	1
LED lamps	6
Control panel	1

### 5.2 Dermalife® Spa Jet™ 2G System and Its Components



(Right Side View)

### 5.3 Dermalife® Spa Jet™ 2G System Dimensions



### 5.4 Supplied Accessories

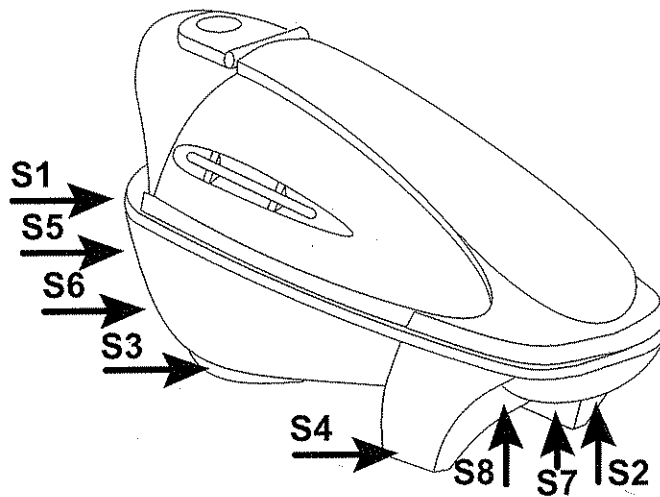
- Neck drapes (1 vinyl and 50 disposable)
- Plastic bed sheets
- Hot/cold face mask
- Dermalife Systems Training DVD
- 1 Spa-Jet 2G System Owner's Manual
- 1 Oxygen Science™ Vitamin Concentrate (16.9 oz. bottle)
- 1 Oxygen Science Mineral Concentrate (16.9 oz. bottle)
- 1 Oxygen Science Wellness Concentrate (16.9 oz. bottle)
- Accel TB, Disinfectant (32 oz.)
- Accel TB, Sprayer

**NOTE:** Supplied accessories are subject to change. Contact your supplier with questions.

## SECTION 6: INSTALLATION DRAWINGS

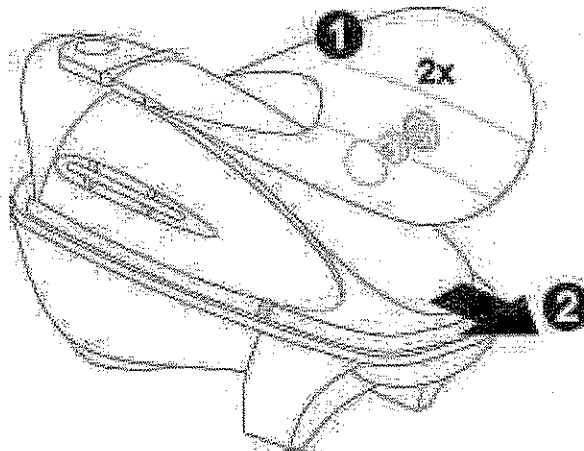
### 6.1 Removing Panels

- BEFORE ANY REPAIR AND/OR INSPECTION OF THE UNIT, THE ELECTRICAL SUPPLY MUST BE SHUT OFF.
- BEFORE REMOVING THE SIDE PANEL OF THE UNIT, SHUT OFF THE ELECTRICAL SUPPLY TO THE UNIT.
- To remove the right side panel, remove screws S1, S2, S3, S5, S6, S7, S8 and S4 (S3 and S4 have two [2] screws on the opposite side panel).



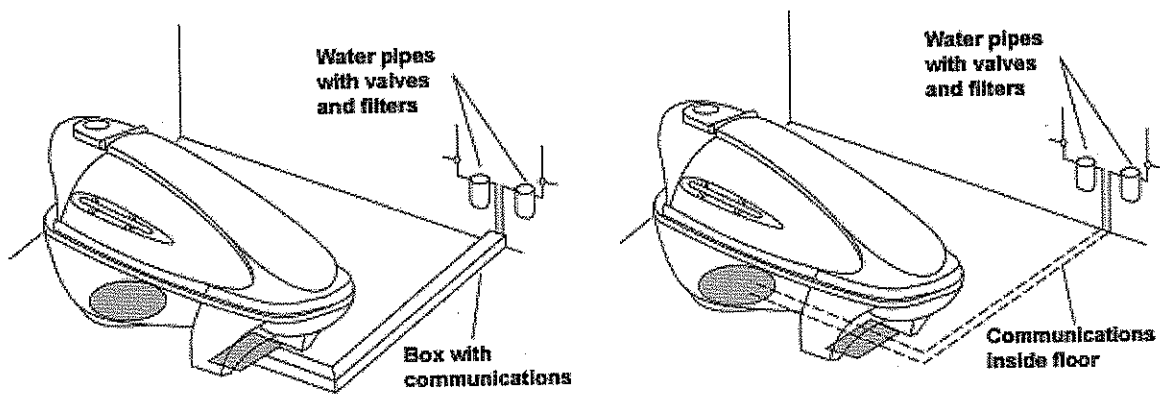
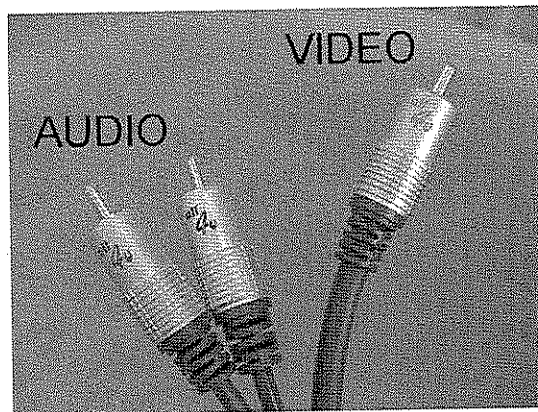
### 6.2 Removing the Hood Cover

- Remove two (2) screws and pull the cover in the direction of the arrow.



source. The external video source has to have a video-out female RCA-jack. Connect the video cable (*yellow*) of the spa system to the yellow video output jack/plug of the external video source. Video can be activated as described in the user manual.

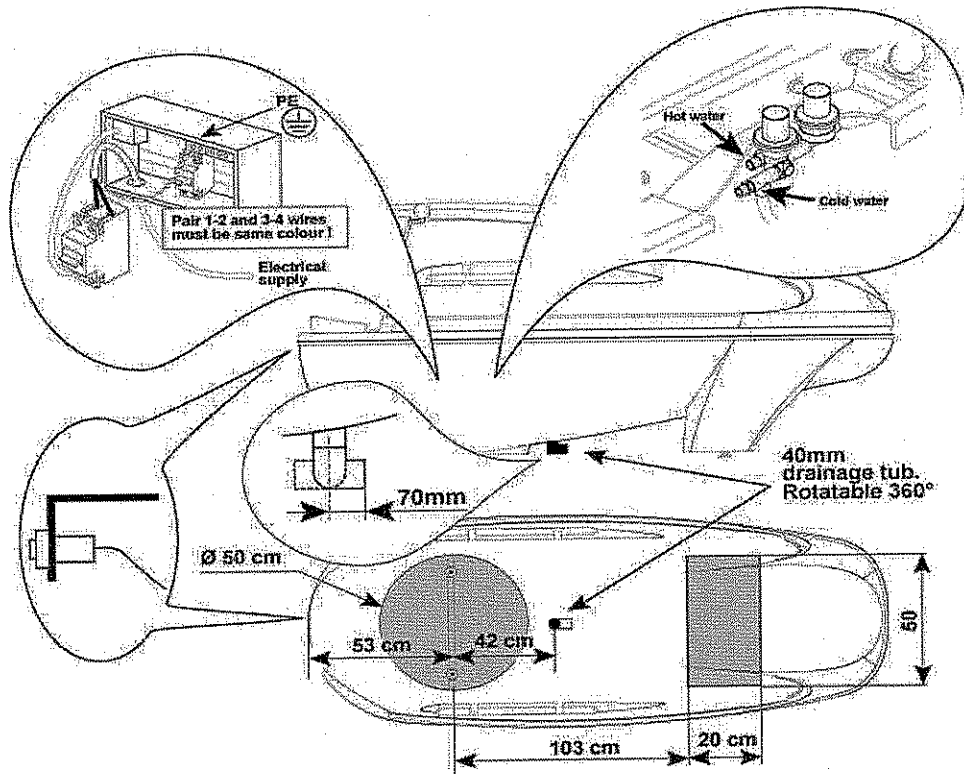
- To use the Dermalife Spa Jet 2G System with an external audio source (*DVD-player, VHS player, general audio system, portable multimedia-player or any other equipment that has a LINE-OUT or EARPHONES output*) it is needed to use the red and white/black audio cables to connect it with an external audio source. The external audio source has to have two audio-out (*stereo*) female RCA-jacks. Connect the audio cables (*red and white/black*) of the spa system to the red and white/black audio output jack/plug of the external audio source. Audio can be activated and adjusted as described in the user manual.



**DISCONNECT CAPSULE FROM ELECTRIC SUPPLY BEFORE SERVICING:  
BEFORE ANY PLUMBING INSTALLATION AND/OR REPAIR WORK ON THE  
WATER AND/OR WATER SUPPLY SYSTEM CUT OFF THE HOT AND COLD  
WATER SUPPLY.**

Please see additional information on plumbing and electrical installation in "Requirements for Plumbing and Installation" and "Requirements for Electrical Supply and Installation."

Audio connection plug (3.5 mm) with black cable (0.5 m) is located beside the electronics box.





Spa Jet general measurements:

