

# INSTALLATION AND ROUGH-IN INFORMATION

**“IMPORTANT - This sheet MUST accompany “Drop-in Basin Overall Dimensions”**

**IMPORTANT: Each Drop-in Basin MUST be installed by a licensed electrician and a licensed plumber in accordance with all national, state and local codes/regulations.**

## **IMPORTANT: Special Installation Requirements Pertaining To The State of Wisconsin**

### **Gravity Drain**

Drop-in Basin installed in this manner (Gravity Drain) MUST be treated like a bathtub installation and connect directly to the fixture trap most likely below the floor. Approved couplings (i.e. Fernco or Clamp All) may be utilized.

### **Pump Discharge**

The pump discharge MUST terminate into an approved receptor with an air break. An air gap is not required.

- Upper dimensions are in inches, lower dimensions [ ] are in centimeters.
- Electrical Requirements: One (1) dedicated 15 amp, GFCI protected wall outlet/circuit per unit located within two (2) feet of the rear of the Drop-in Basin. (Actual draw is 5 amps) Each Drop-in Basin will be supplied with a standard four (4) foot grounded power cord. If utilizing an in-floor electrical box (EB), position box underneath cabinet.
- Water Supply: One (1) each 1/2" hot and cold water supply. Locate shut-offs on the wall behind the Drop-in Basin (suggested range 4" to 12" apart on center, 4" to 8" A.F.F. (above finished floor) or may be roughed in through the floor underneath the cabinet. Provide 1/2" shut off valves and 1/2" MPT connections.
- Installation of optional drain pump MUST be noted on original customer order. Drain pump MUST be factory installed.
- If wall drain is utilized, 3/4" ID MPT should be installed. Suggested location is centered between Hot and Cold water supply inlets, 4" to 8" A.F.F. Use 3/4" ID hose to connect Drop-in Basin to wall drain.
- If Drop-in Basin is ordered separately, without cabinet from Continuum Footspas, please visit [www.salonpedicurespas.com](http://www.salonpedicurespas.com) for download of template to cutout cabinet top opening.

## **SPECIAL INFORMATION REGARDING GRAVITY DRAIN INSTALLATIONS**

- Always check with local plumbing inspectors for possible special requirements pertaining to pedicure basins.
- Gravity drain is always preferred. If drain pump is NOT required, unit should be ordered WITHOUT drain pump.
- Gravity drain: Basin outlet is 1-1/2" female PVC. Rough-in: 3" Hub Drain is recommended, 2" A.F.F.

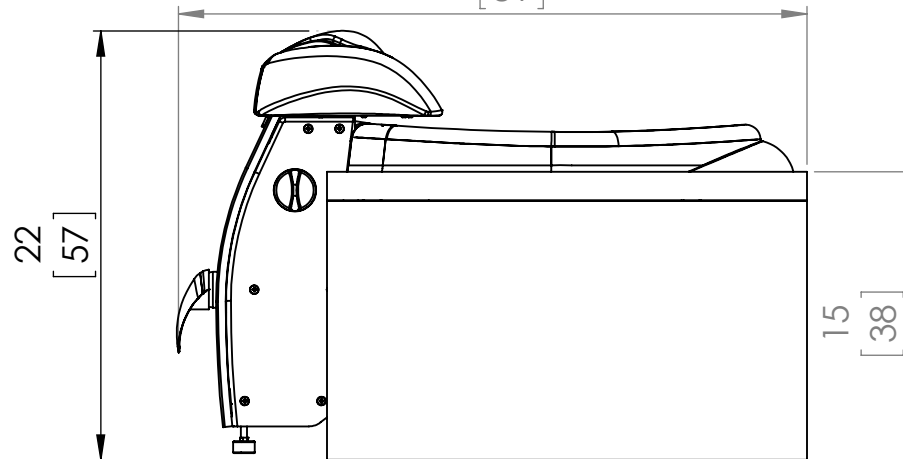
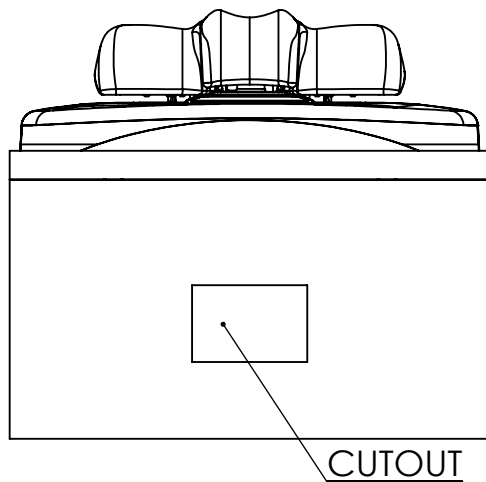
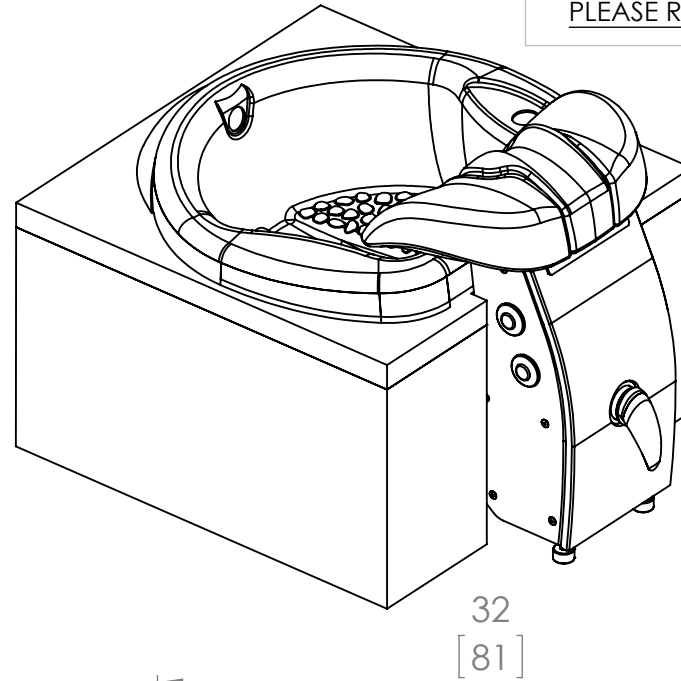
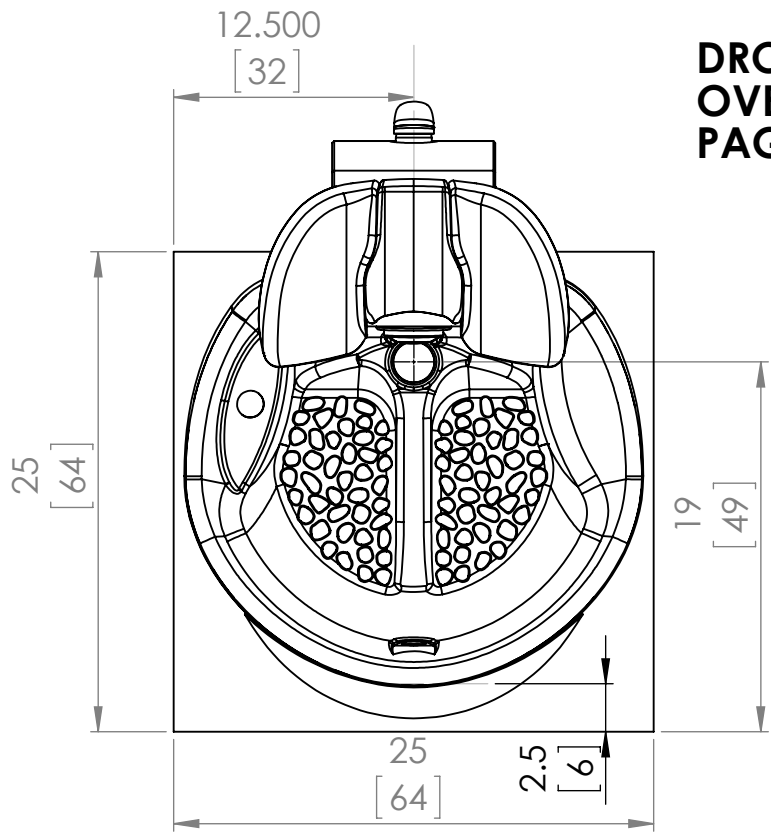


**DROP-IN BASIN  
OVERALL DIMENSIONS  
PAGE 2 OF 2**

**CAUTION - EXTREMELY IMPORTANT**

THIS DRAWING IS NOT COMPLETE UNLESS ACCOMPANIED BY "PAGE 1 OF 2" ENTITLED: "INSTALLATION AND ROUGH-IN INFORMATION" STATE OF WISCONSIN INSTALLATIONS MUST FOLLOW REQUIREMENTS AS NOTED ON "PAGE 1 OF 2"

PLEASE REVIEW ALL INFORMATION CAREFULLY.



LEGEND:  
UPPER DIMENSION ARE IN INCHES  
LOWER DIMENSIONS ( ) ARE IN CENTIMETERS

(APRIL, 2012)

CONTINUUM FOOTSPAS  
MODEL: DROP-IN BASIN CABINET  
PH - 877-255-3030  
WWW.CONTINUUMFOOTSPAS.COM