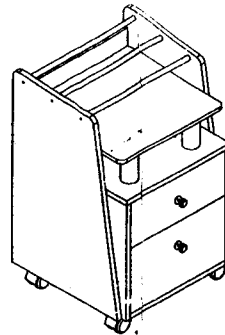



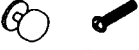






ASSEMBLY INSTRUCTIONS

ITEM NO: Pedicart

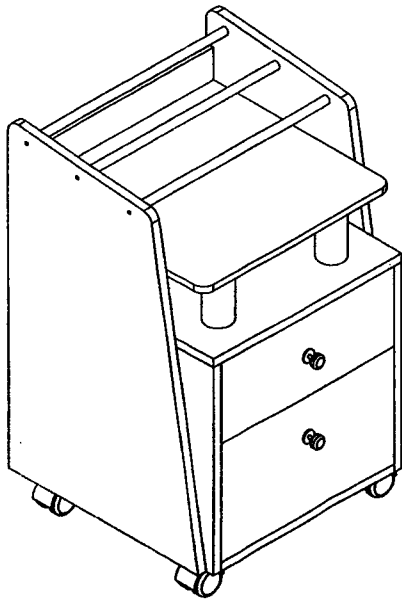
For Missing Parts Or Assistance
Contact J&A Spa Service @ 631-243-5300



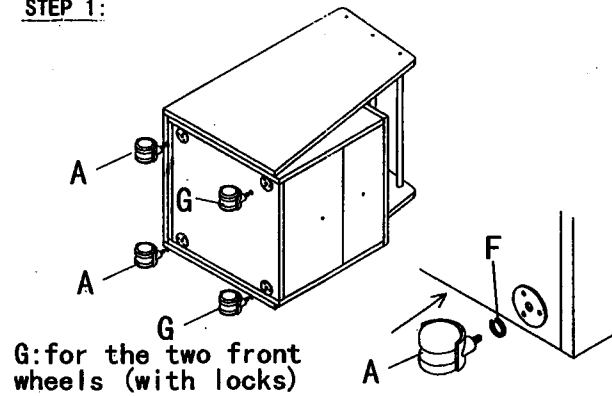
PARTS LIST:

A  2 pcs	B  2 pcs	C  2 pcs	D  2 pcs	E  2 pcs	F split lock washer  4 pcs
G  2 pcs	H  2 pcs	I	J	K	L

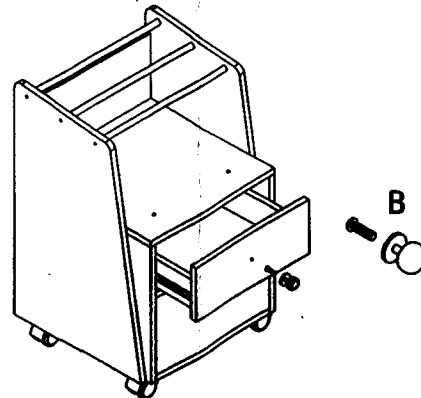
EXPANDED VIEW



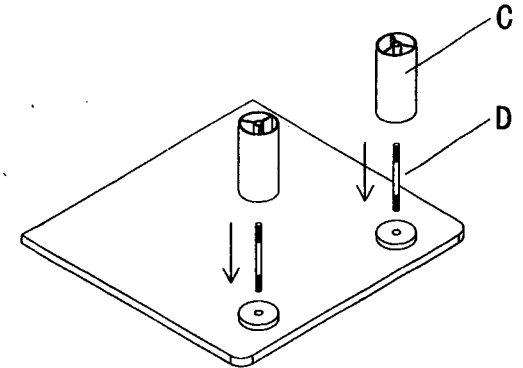
STEP 1:



STEP 2:



STEP 3:



STEP 4:

