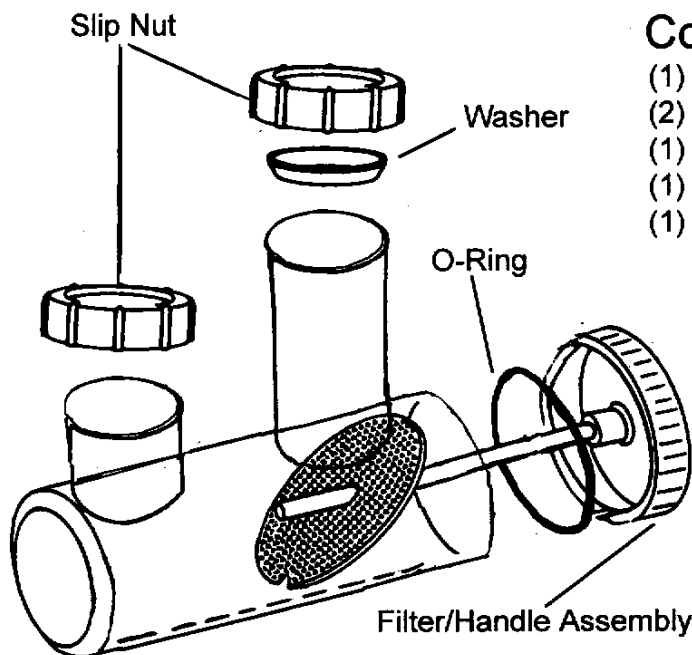


Installation Instructions

No. 1701 "CATCH-ALL" HAIR TRAP



Contents

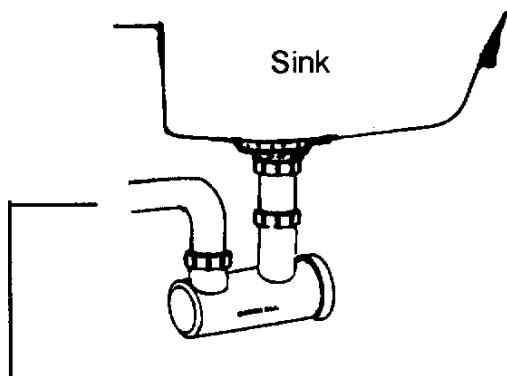
- (1) - Hair Trap
- (2) - Slip Nuts
- (1) - 1½" Washer
- (1) - Filter/Handle Assembly
- (1) - O-Ring

To Install

1. Place slip nut and washer over 1½" tail piece.
2. Place slip nut over flange of elbow pipe (not included).
3. Install Hair Trap and tighten slip nuts.
4. Run water and check for leaks.

To Clean

1. Unscrew filter/handle assembly.
2. Remove all debris.
3. Make sure o-ring is in position in the handle cap.
4. Replace by aligning slot in filter over the guide inside hair trap and tighten firmly by hand.
5. Run water and check for leaks.



One-piece flanged elbow pipe required for installation

