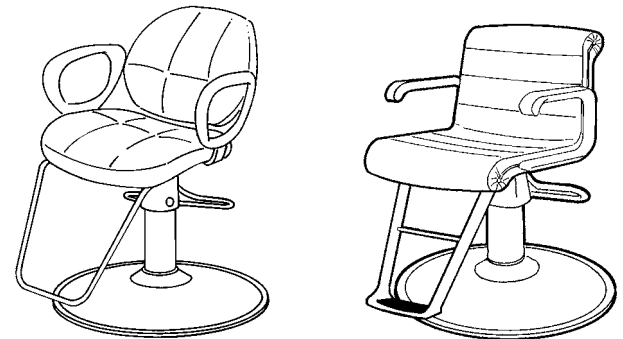
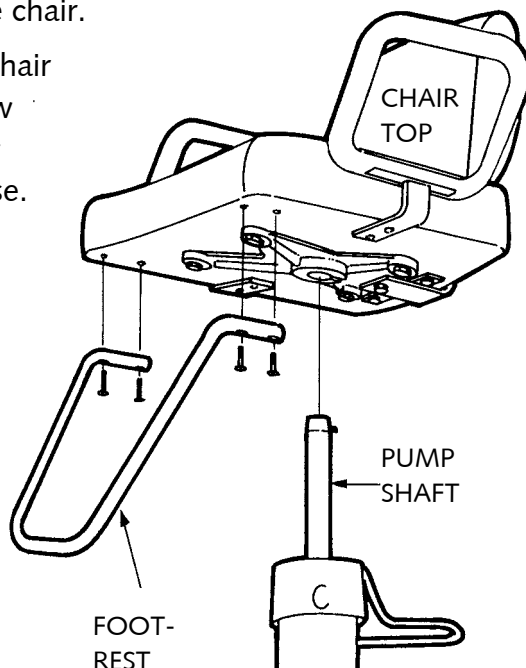


STYLING AND ALL-PURPOSE CHAIR ASSEMBLY

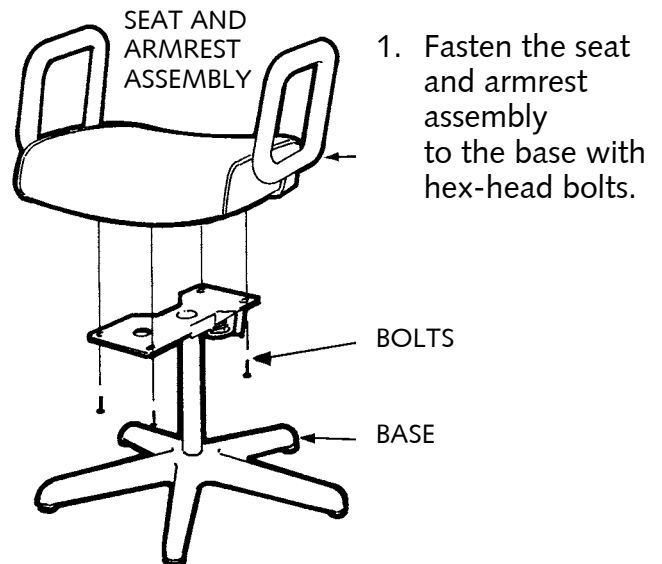
1. Remove the chair top and hydraulic base from their cartons.

CAUTION! Open cartons carefully. Staples are sharp. To avoid potential damage to the upholstery, do not use a knife to open the chair top carton.

2. Place the chair top upside down on a padded surface (cardboard or carpet). Attach the footrest with (4) Phillips screws. **NOTE:** Start all 4 screws first, then tighten them down.
3. Remove tape and packing material from the hydraulic base.
4. Place the chair top on the pump shaft. Align the pin in the pump shaft with the slot in the seat plate. Allow the seat to "settle" on the pump shaft by sitting in the chair.
5. The chair is now ready for use.

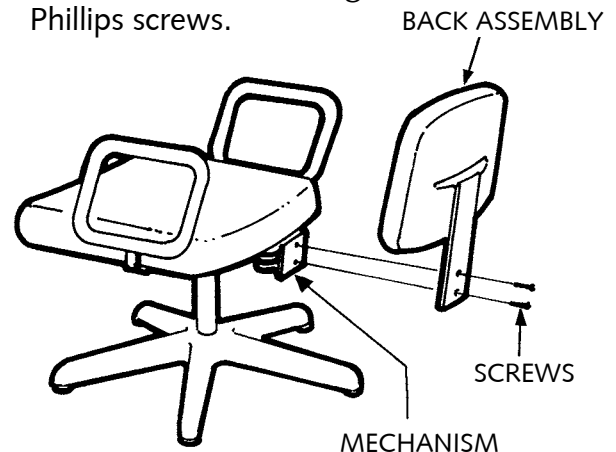


SHAMPOO CHAIR ASSEMBLY



1. Fasten the seat and armrest assembly to the base with hex-head bolts.

2. Attach the back assembly to the chair mechanism with (2) large Phillips screws.

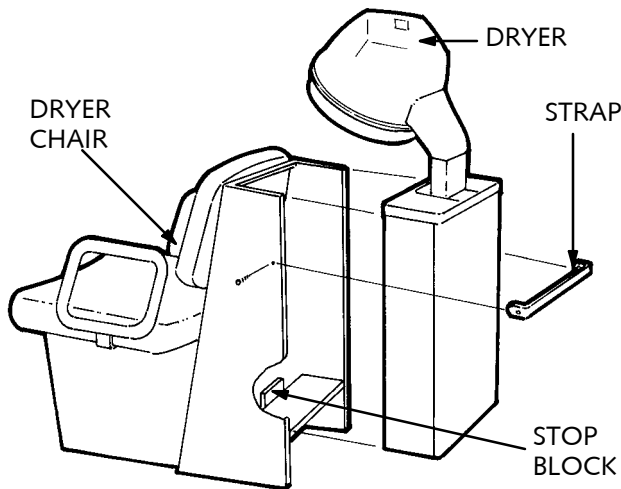


Belvedere USA Corporation

A wholly owned subsidiary of The Wella Corporation
 One Belvedere Boulevard, Belvedere, Illinois 61008
 Printed in U.S.A. E.C.O. 6065 4000831 Rev. 8-03

DRYER CHAIR ASSEMBLY

1. Remove the chair from the carton. To avoid potential damage to the upholstery, do not use a knife to open the dryer chair carton.
2. Unpack and assemble the dryer according to the instructions packed with it.
3. Remove the two screws holding the dryer strap to the back of the dryer box.



4. Place the assembled dryer into the dryer box. The bottom of the metal dryer "can" should be against the stop block. Be sure that the power cord is not pinched under or behind the dryer.
5. Replace the dryer strap.
6. The chair is now ready for use.

BASE OPERATING INSTRUCTIONS

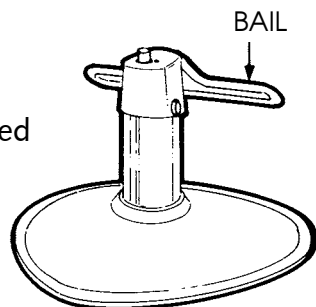
1. TO RAISE THE CHAIR, pump the bail with short strokes until the chair reaches the desired height.

NOTE: Pushing the bail to bottom of the stroke will DECREASE the amount of lift per stroke.

2. TO LOWER THE CHAIR, push down on the bail and hold.

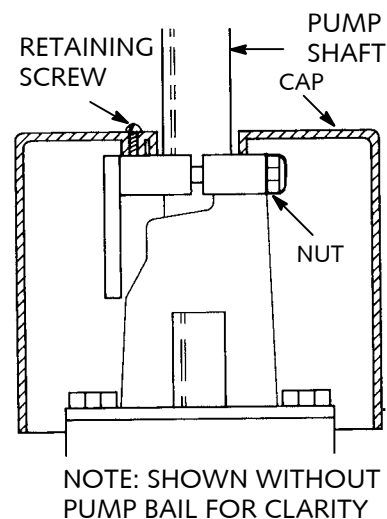
3. TO SET THE BRAKE lift the bail.

NOTE: The brake is designed to IMPEDE CHAIR ROTATION, It is NOT a mechanical lock.



BRAKE ADJUSTMENT INSTRUCTIONS

1. Pump the chair to its highest position.
 2. Remove the retaining screw from cap.
 3. Slide the cap up to the top of pump shaft. Tie a towel around the pump shaft to hold the cap in place.
 4. Adjust the lock by tightening or loosening the nut with wrenches.
- NOTE: Overtightening will make chair harder to turn.
Undertightening will allow chair to turn too easily when the brake is "set".



BASE RING REPLACEMENT INSTALLATION INSTRUCTION

1. Warm the entire base ring for approximately five minutes using either a hair dryer with its hood in the up position or a hand held dryer.
2. Stretch the base ring onto the base plate, with the surface having the part number and the groove facing down.
3. Lift the bottom edge of the base ring and apply a bead of glue between the base ring and the bottom surface of the base plate.

CARE AND MAINTENANCE GUIDE

- Thermalfused and High Pressure Laminate Surfaces
- Vinyl Upholstery Fabrics
- Cushion Floor Mats
- Hydraulic Bases
- Dryers

DO NOT DISCARD!

**IMPORTANT
INSTRUCTIONS
FOR CARE AND
MAINTENANCE.**

**KEEP THIS BOOKLET FOR
FUTURE REFERENCE.**

CARE AND CLEANING OF HIGH PRESSURE LAMINATE SURFACES

1. General Cleaning:

Clean the high pressure laminate surfaces of your Belvedere casegoods with a **NON-ABRASIVE** cleanser. Use a soft cloth. Be sure and rinse well with plain water as a final step.

YOU MAY SAFELY USE:
Formula 409®
Dow Tub and Tile Cleaner®
Mr. Clean®

2. Furniture Polish:

You may wish to apply a furniture polish to your cabinets. We suggest using a polish formulated specifically for high pressure laminates. These products generally make the surfaces shinier.

IMPORTANT: Although thermalfused and high pressure laminate surfaces are among the most durable finishes available for cabinetry, some precautions should be observed:

1. Use of abrasive cleansers will, over time, dull the finish.
2. Avoid striking the laminate with sharp edged objects which can scratch the finish. Protect the laminate from heavy objects which can dent or crush the surface.
3. Avoid placing objects with rough bottom surfaces on the laminate. If necessary, use a pad or coaster under vases or decorative items.
4. Exercise extra care with gloss laminates. Although durable, Gloss laminates will show scratches and abrasions more readily than Matte laminates.
- 5., Be very careful when moving laminated cabinets. Make sure that the bottom edges of laminated panels do not drag or get snagged on carpets. This could cause pieces of the laminate to break off. Also avoid bumping the edges of the laminate. These kinds of damage are very difficult to repair.

Belvedere USA Corporation

A Wholly Owned Subsidiary of The Wella Corporation
One Belvedere Boulevard, Belvedere, Illinois 61008
Printed in U.S.A. 4001013 Rev. 8-03

CARE AND CLEANING FOR VINYL UPHOLSTERY

The following care and cleaning instructions can be used for almost all of the vinyl fabrics currently used in the salon industry. The vinyl fabrics used are supplied by several manufacturers. Because of the nature of vinyls and the way they are made, these guidelines are applicable to all.

NORMAL DAY-TO-DAY SOIL:

Normal day-to-day soil can be removed with mild detergent in a warm water solution. Any dish washing liquid will work. 409® or Fantastic® cleansers can be used for tougher soils. Use a soft bristle brush and/or a soft cloth. Be sure to rinse well with plain water as a final step.

PERM SOLUTION DAMAGE:

There is little that can be done to alleviate perm solution damage if it has been in contact with the vinyl for a significant time. It is a chemical reaction that has altered the vinyl wherever it has come in contact. Whether acidic or basic, most perm solutions are weak. Little or no damage should occur if these spills are wiped up immediately. Again, rinse with water to dilute any residue.

STAINS:

Stains from ink pens, marker pens, lipstick, grease, spray paint, coffee, blood, oils, etc., can generally be lumped into one category. To clean these, immediately wipe up the spill with an absorbent cloth. Then use the above steps for normal day-to-day soils. If the stain is still present, you can try either rubbing alcohol or naphtha. Each can be obtained at your local hardware store.

Stains from hair colors and dyes are extremely difficult to remove, even if spills are wiped up instantly. Follow the same steps above for cleaning general soils and then again using naphtha for the second cleaning. For the third and final step, apply a 20% by volume creme peroxide and let it sit for as long as 24 hours. There are few if any types of vinyls that can totally resist the staining from hair colors. This is by far the toughest stain to deal with.

OTHER SITUATIONS:

For other cleaning problems, call Belvedere. Our technicians will work with you to find a remedy for your problem.

If your chairs were built with C.O.M. (customer's own material) upholstery, please contact the fabric manufacturer to obtain their specific cleaning instructions. Belvedere warranties do not apply to C.O.M. materials.

IMPORTANT NOTE:

Using the above techniques DOES NOT guarantee that you will be able to totally remove all soils or stains from your upholstery. However, these are the best-known methods for dealing with tough stains.

Be aware that the use of cleaners tends to degrade vinyl fabrics, and can make them brittle. The stronger the cleaner or solvent, the more quickly the vinyl degrades. This takes place over a period of time.

CARE AND CLEANING FOR PORCELAIN ENAMEL SHAMPOO BOWLS

1. General Cleaning:

Always clean your Belvedere Porcelain Enamel Shampoo Bowl with a NON ABRASIVE cleanser. Use a soft cloth. Be sure to rinse well with plain water as a final step.

YOU MAY SAFELY USE:
Formula 409®
Dow Tub and Tile Cleaner®
Mr. Clean®

2. Finish Protection:

Protect the finish of your Belvedere Porcelain Enamel Shampoo Bowl by applying a high-quality paste wax once a month. This will help maintain the lustrous finish.

IMPORTANT: Use of abrasive cleansers will dull the porcelain enamel finish. Over time, this could cause the finish to become more difficult to clean.

CARE AND CLEANING FOR ACRYLIC SHAMPOO BOWLS

1. General Cleaning:

Always clean your Belvedere Acrylic Shampoo Bowl with NON ABRASIVE soap and water. Review the label instructions before applying any cleaner to the acrylic surface. Avoid harsh chemicals and disinfectants. Use a soft cloth. Rinse well with plain water.

YOU MAY SAFELY USE:
Formula 409®
Windex®
Mr. Clean®
Glass Plus®

DO NOT USE:
Lysol Disinfectant Spray®
Dow Disinfectant Bathroom Cleaner®
Pinesol®
Whitecap®
Lestoil®

2. Light Scratches, Abrasions, Gloss:

Light scratches and abrasions may be removed, and original gloss restored using the following:

Plastic cleaners (eliminate very light scratches and restore gloss):

- Novus® Plastic Polish
- Permatex® Plastic Cleaner #430D
- Mirror Glaze® Professional Formula #17

Automotive cleaner waxes (eliminate very light scratches and provide protection):

- J-Wax® or Kit® Automotive Cleaner Wax

Polishing compounds (eliminate moderate scratches; follow manufacturer's instructions):

- Dupont® or Turtlewax® White Polish Automotive Polishing Compound

Note: Avoid using excess pressure when polishing with these compounds.

DO NOT PLACE NAIL CARE PRODUCTS, KETONES, ESTERS OR AROMATIC HYDROCARBONS ON YOUR ACRYLIC BOWL.

- Prolonged exposure to these chemicals may discolor or damage the acrylic finish.
 - Wipe off any chemicals immediately!
 - Using the above techniques DOES NOT guarantee that you will be able to totally remove all soils or stains from your shampoo bowl.
 - For other cleaning problems, call Belvedere. Our technicians will work with you to find a solution.
-

CLEANING AND POLISHING/CARE FOR ANTI-FATIGUE FLOOR MATS

1. To maintain appearance, damp mop or wipe surface as needed with cloth dampened with COLD water. This removes surface dust and grit.
2. When Step 1 no longer restores appearance, clean surface with a standard liquid ALL-PURPOSE cleaner, rinse, and let dry. If you prefer a high gloss luster, apply one coat of an oil-based soap such as Murphy's Oil Soap, following directions on the label. Although polishing is not required, a brisk rubbing with a soft cloth will result in a brighter and long-lasting finish.

DO NOT USE FULL STRENGTH INDUSTRIAL CLEANERS CONTAINING SOLVENTS OR ABRASIVE CLEANSERS.

3. When the floor is scrubbed or mopped, it is recommended that mats be removed prior to cleaning the floor and repositioned after the floor is completely dry. This practice will eliminate the chance of floor staining, as well as potential damage to the cushion sponge.
4. Too much wax forms an unsightly layer that actually holds dust and dirt and mars appearance. If wax build-up occurs, remove it with one cup of household ammonia and 1/4 cup all-purpose cleaner in 1/2 gallon of COOL water. Be sure to rinse well. Refinish appearance by applying TWO coats of oil-based soap, such as Murphy's Oil Soap. Follow the directions on the label.

CAUTION: DO NOT FOLD OR LAY MAT WITH FLOORING FACING IN. THIS WILL CAUSE CRACKING. WHEN CLEANING THE FLOOR, REMOVE THE MAT. NEVER PLACE THE MAT ON A WET FLOOR. IF USED ON CARPET, MOISTURE MAY CAUSE STAINING.

IMPORTANT: MATS ARE NOT WARRANTED FOR DAMAGE CAUSED BY HIGH HEELS, ELEVATED HEELS, OR SPIKED HEELS. SEE WARRANTY PAGE FOR DETAILS.

HYDRAULIC BASE BRAKE ADJUSTMENT INSTRUCTIONS

1. Pump the chair to its highest position.
2. Remove the Retaining Screw from the top of the Cap.
3. Slide the Cap up to the top of pump shaft. Tie an old towel or rag around the pump shaft to hold the Cap in place.
4. Be sure that the set screws holding the Pump Bail in place are tight. If they are loose, you will not be able to properly adjust the Brake. Tighten the set screws with an Allen wrench.
5. Adjust the Brake by tightening or loosening the nut.

NOTE:

Overtightening will make the chair difficult to turn.

Undertightening will allow the chair to turn too easily when the Brake is set.

