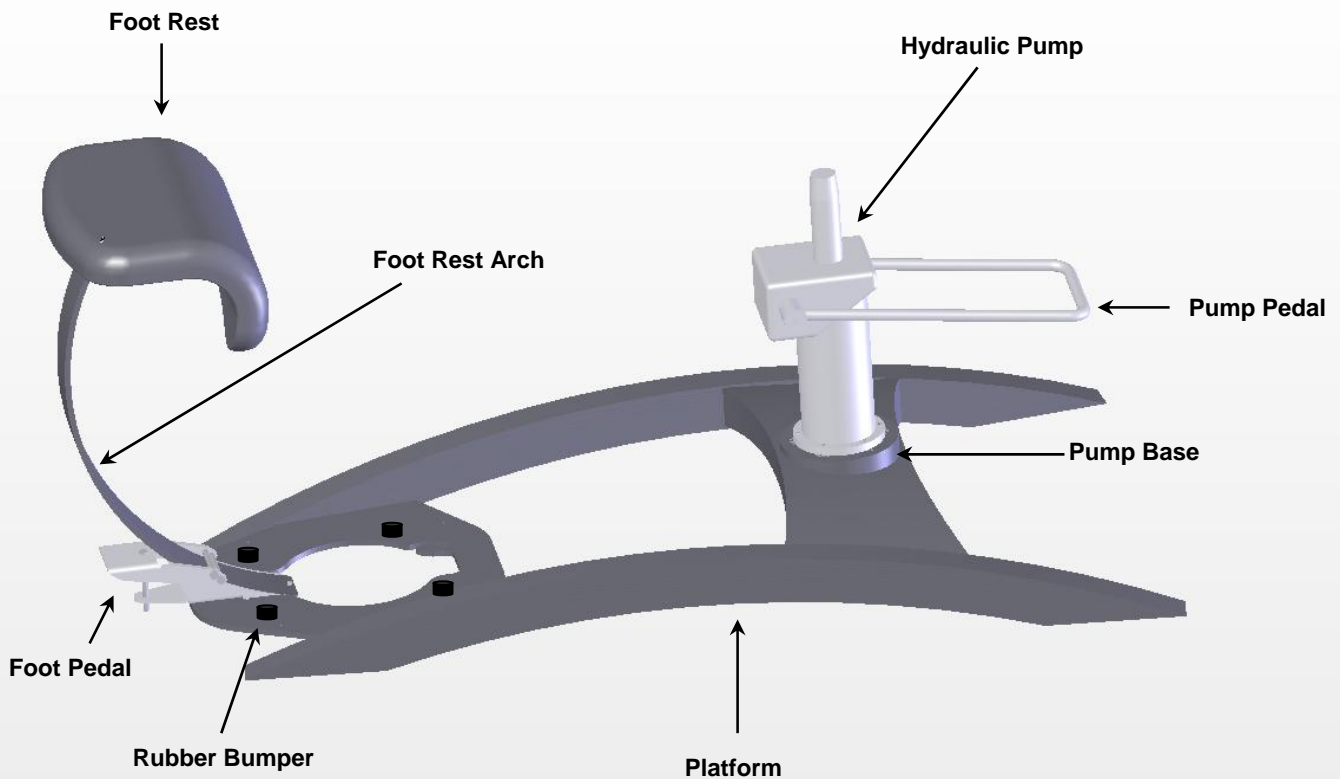
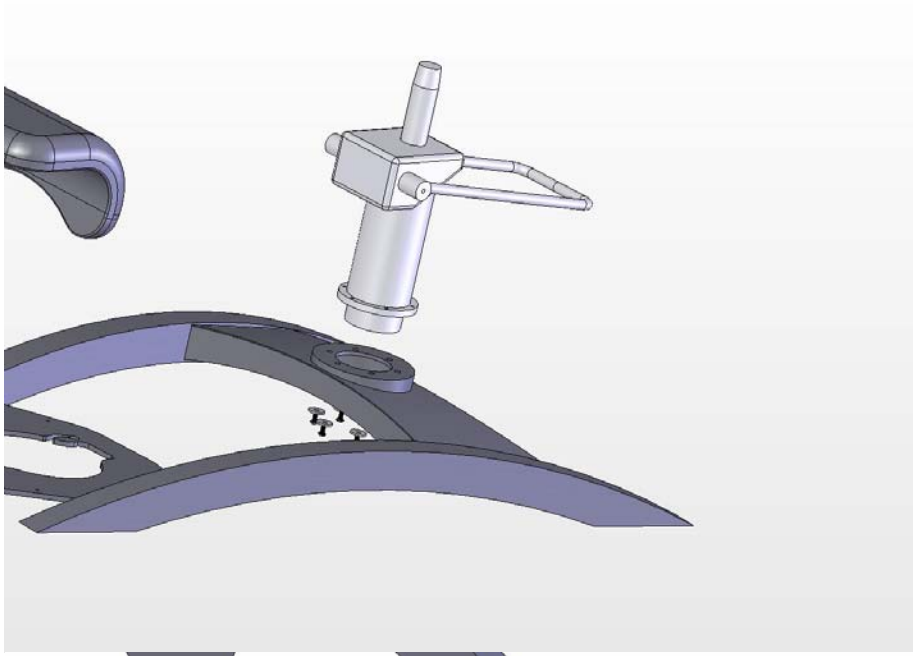


P.O. Box 9068 • Canoga Park • CA 91309  
818.708.7131 / ph • 818.592.0202 / fax  
www.belava.com • sales@belava.com

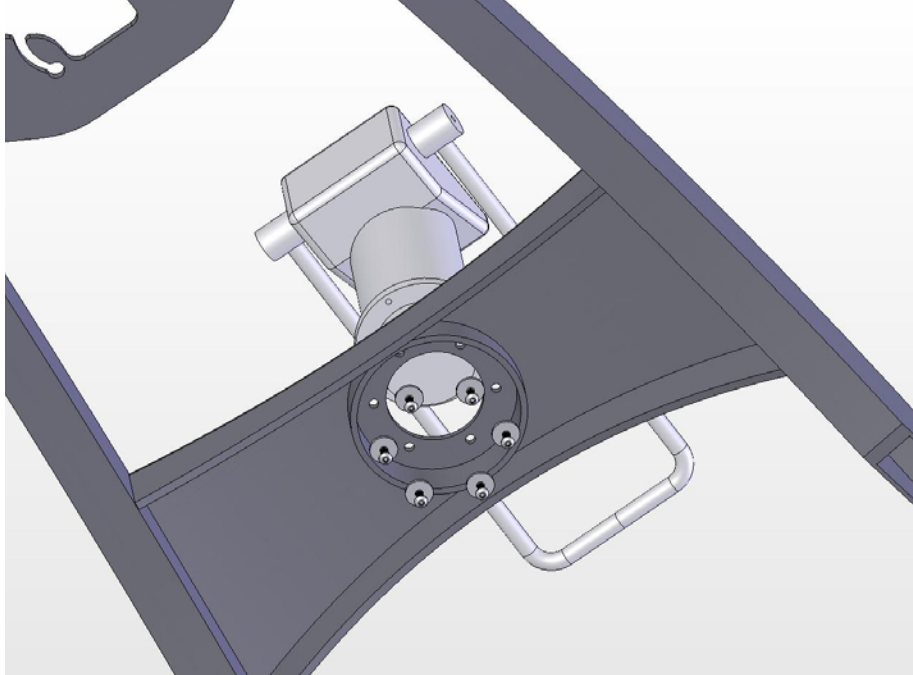
## Instructions to Assemble “Indulgence” Pedicure Chair





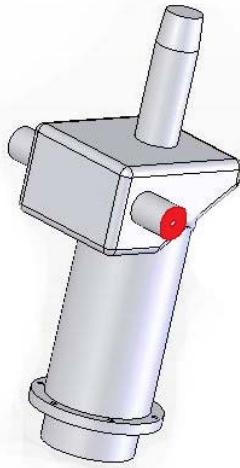
### Step 1

Insert Hydraulic Pump into the Pump Base, making sure to align the white-marked hole of the Hydraulic Pump with the white-marked hole of the Pump Base. The Hydraulic Pump should be facing the front of the Platform as shown on picture.



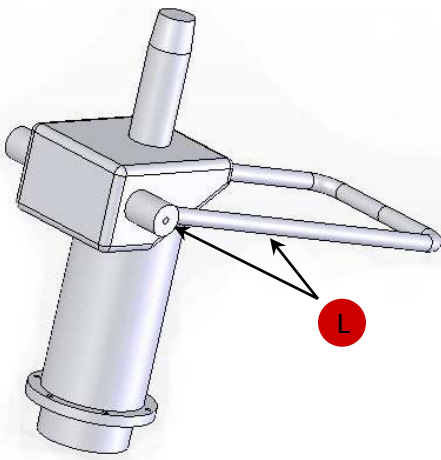
### Step 2

Screw the Hydraulic Pump from underneath the Platform, using the enclosed 6 bolts and Allen Wrench



### Step 3

With the Allen Wrench loosen the two set screws located on the left and right side of the Hydraulic Pump which are marked in red



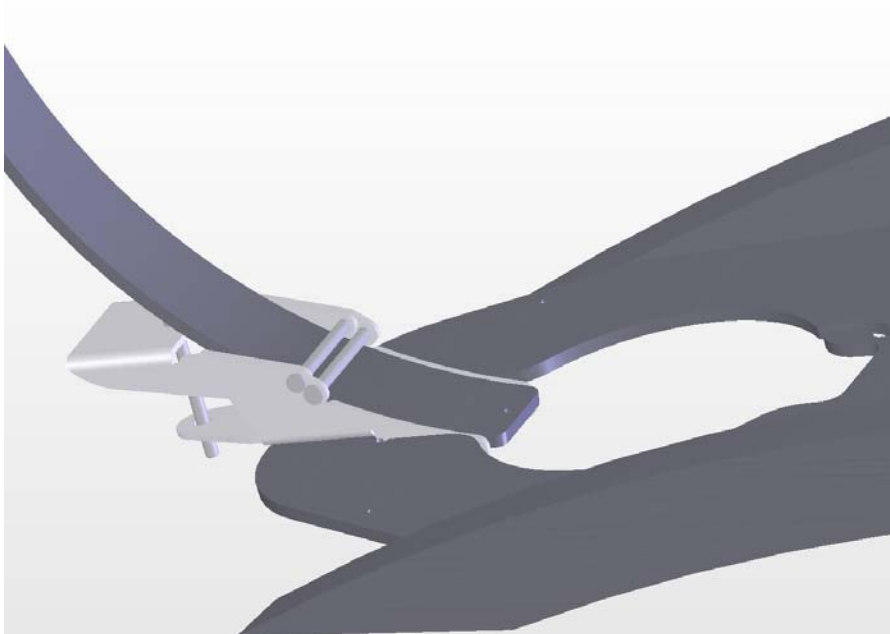
### Step 4

Align the Pump Pedal into the Hydraulic Pump following the red coding **L** for left, then tighten back the two sets to keep the Pump Pedal in place.



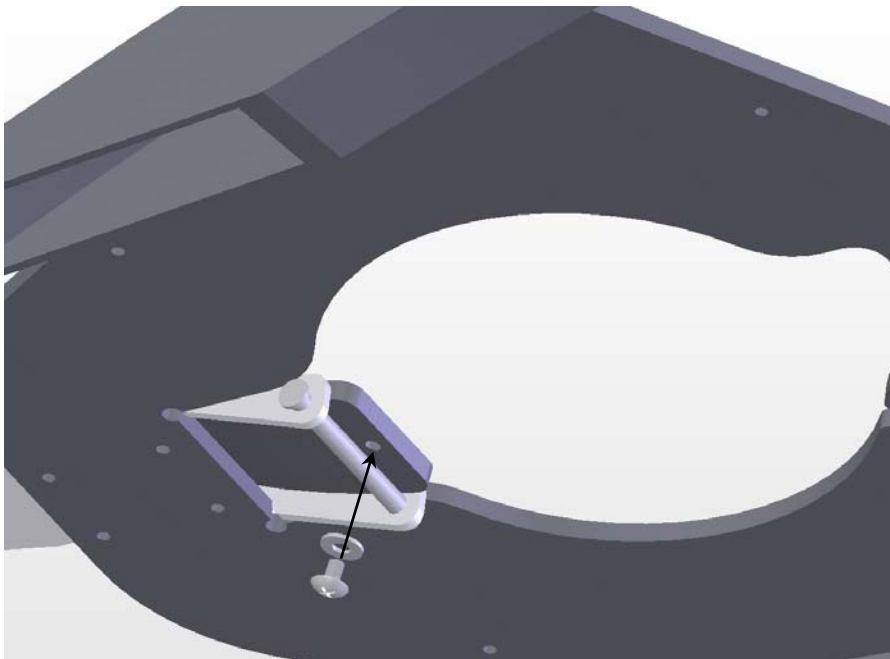
### Step 5

Unscrew the Stopper located at the end of the Foot Rest Arch



### Step 6

Insert the Foot Rest Arch into the Foot pedal following the direction on the pre-inserted pink paper template.

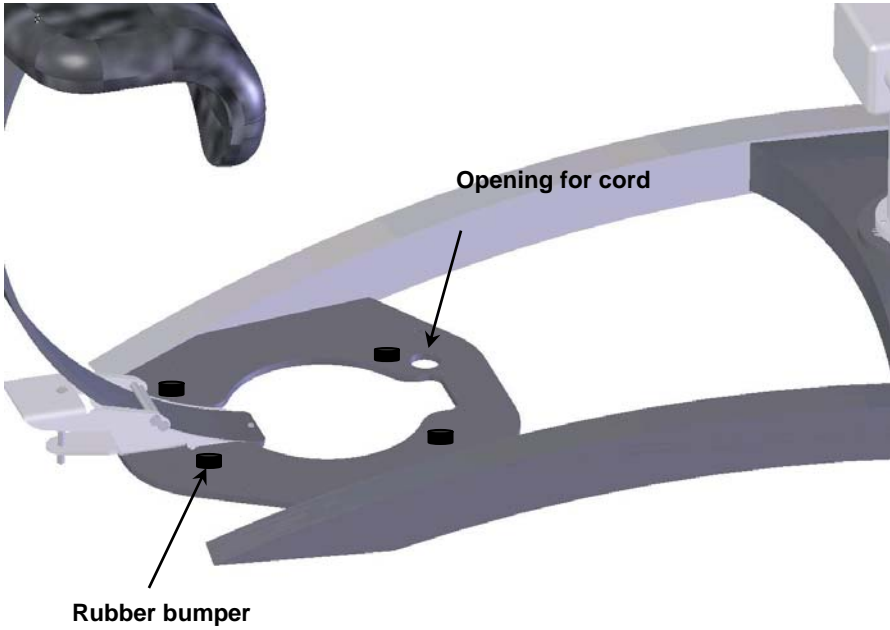


### Step 7

After inserting Foot Rest Arch into the Platform, screw the Stopper back into the end of the Foot Rest Arch



Final look for Step 7



Step 8

Thread the power cord through the Perforation on the platform and place Belava heater/massager on top of 4 Rubber Bumpers to secure the unit in place



Step 9

Insert Cushion unto Hydraulic Pump and Push it down, to secure cushion in place

If you have any problems with assembly, please do not hesitate to call us directly at 818-592-0209 for assistance.